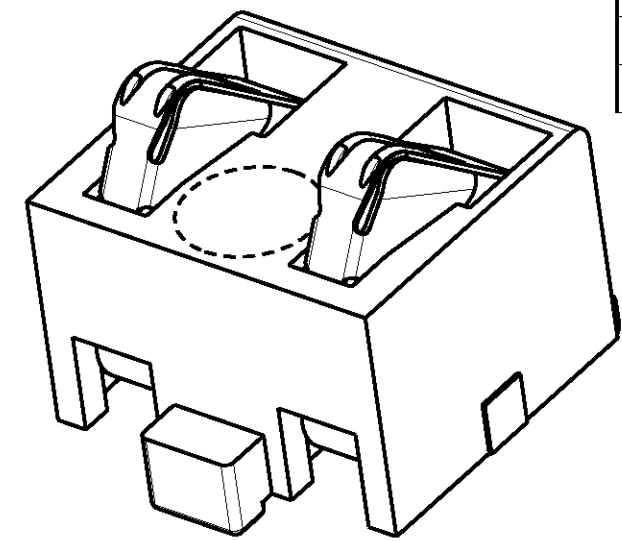
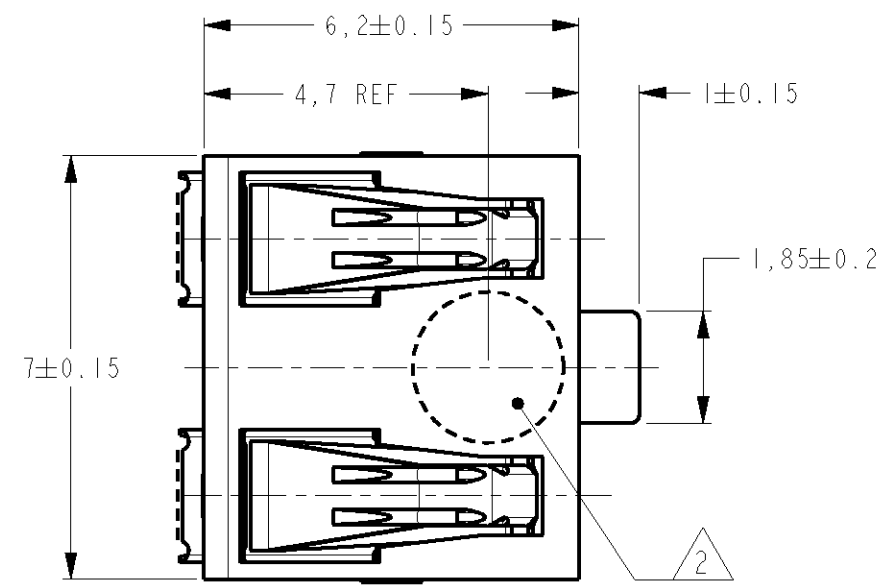
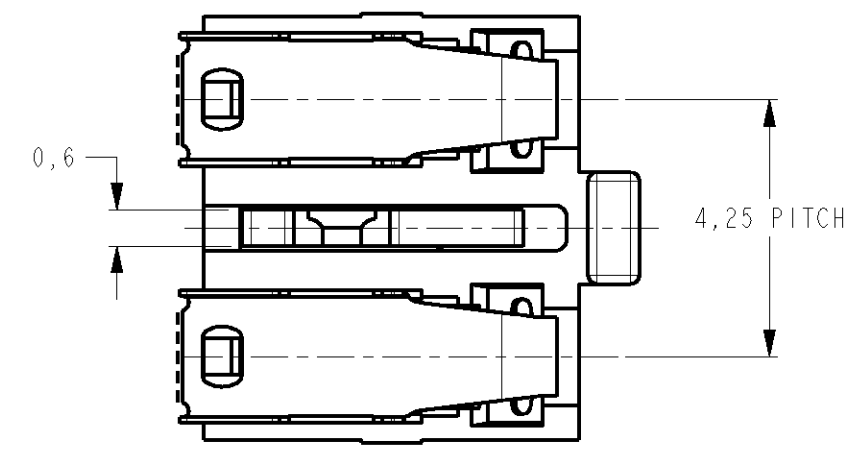
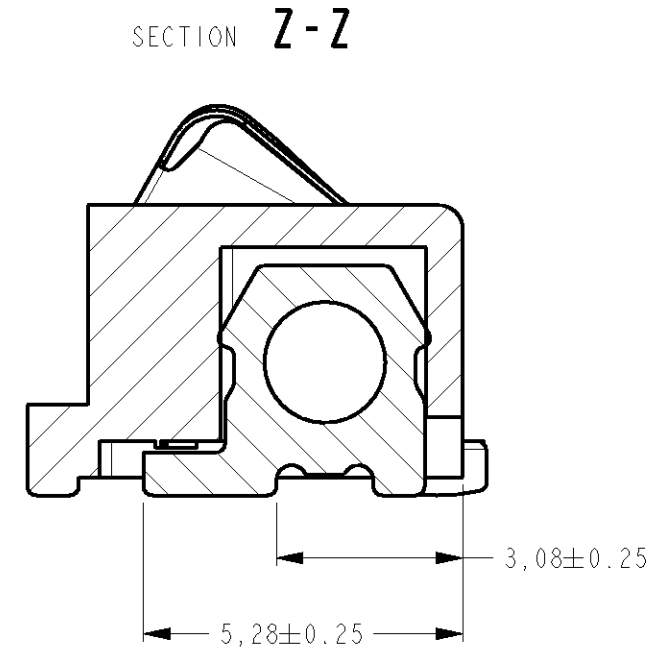
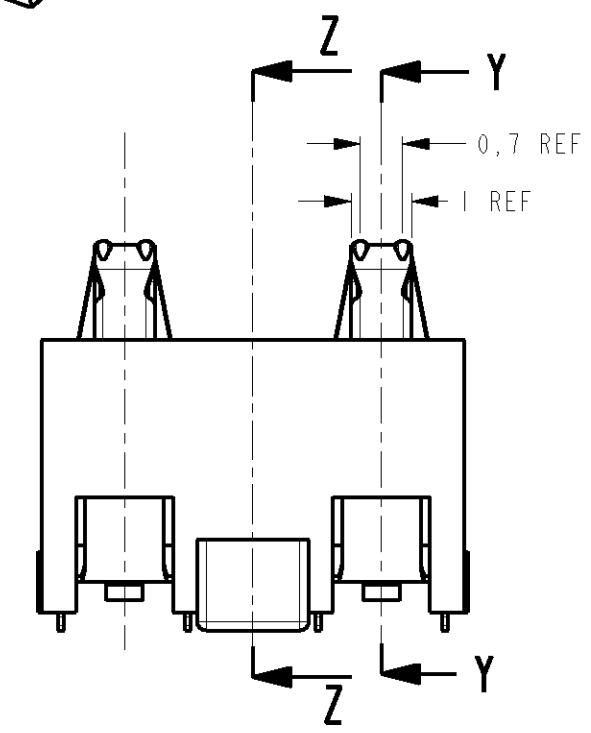
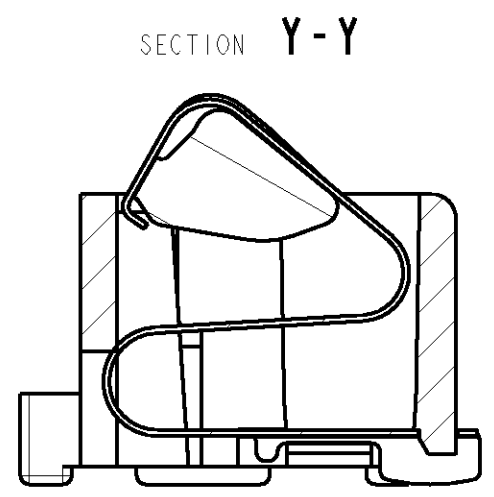
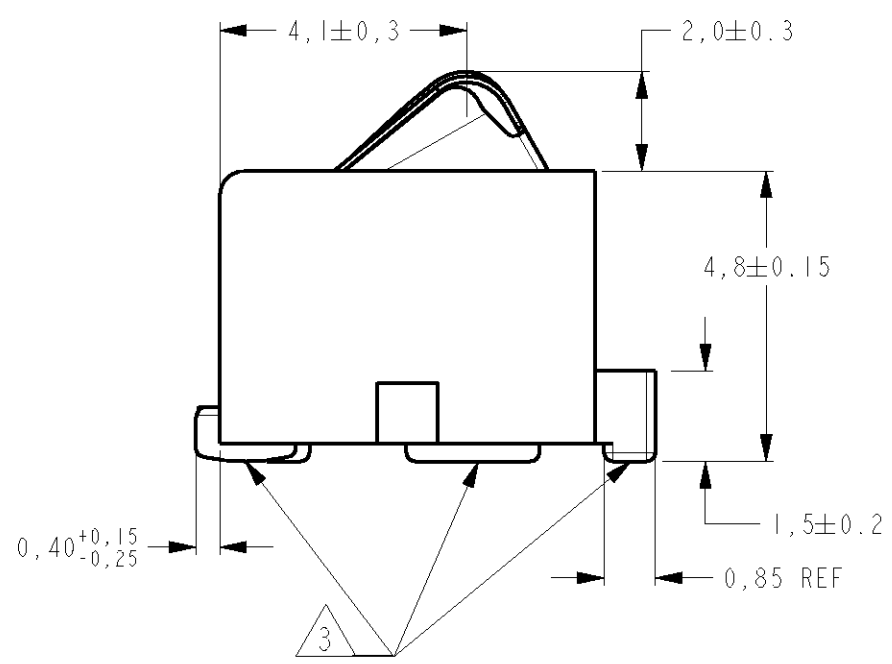


THIS DRAWING IS UNPUBLISHED. RELEASED FOR PUBLICATION
 © COPYRIGHT BY TYCO ELECTRONICS CORPORATION. ALL RIGHTS RESERVED.

LOC	DIST	REVISIONS			
P	LTR	DESCRIPTION	DATE	DWN	APVD
H	-	A	EH10-0043-05	12JAN2005	RC PJ



- 1. PACKAGING IN ACCORDANCE WITH PACKAGING SPEC 107-3262
- 2 VACUUM PICK/PLACE AREA, FEATURE NOT PRESENT.
- 3 COPLANARITY 0.15 MAX. 4-POSITIONS



THIS DRAWING IS A CONTROLLED DOCUMENT FOR TYCO ELECTRONICS CORPORATION IT IS SUBJECT TO CHANGE AND THE CONTROLLING ENGINEERING ORGANIZATION SHOULD BE CONTACTED FOR THE LATEST REVISION.

DIMENSIONS:	TOLERANCES UNLESS OTHERWISE SPECIFIED:
mm	
	0 PLC ±0,3
	1 PLC ±0,13
	2 PLC ±0,05
	3 PLC ±
	4 PLC ±
	ANGLES ±
MATERIAL -	FINISH -

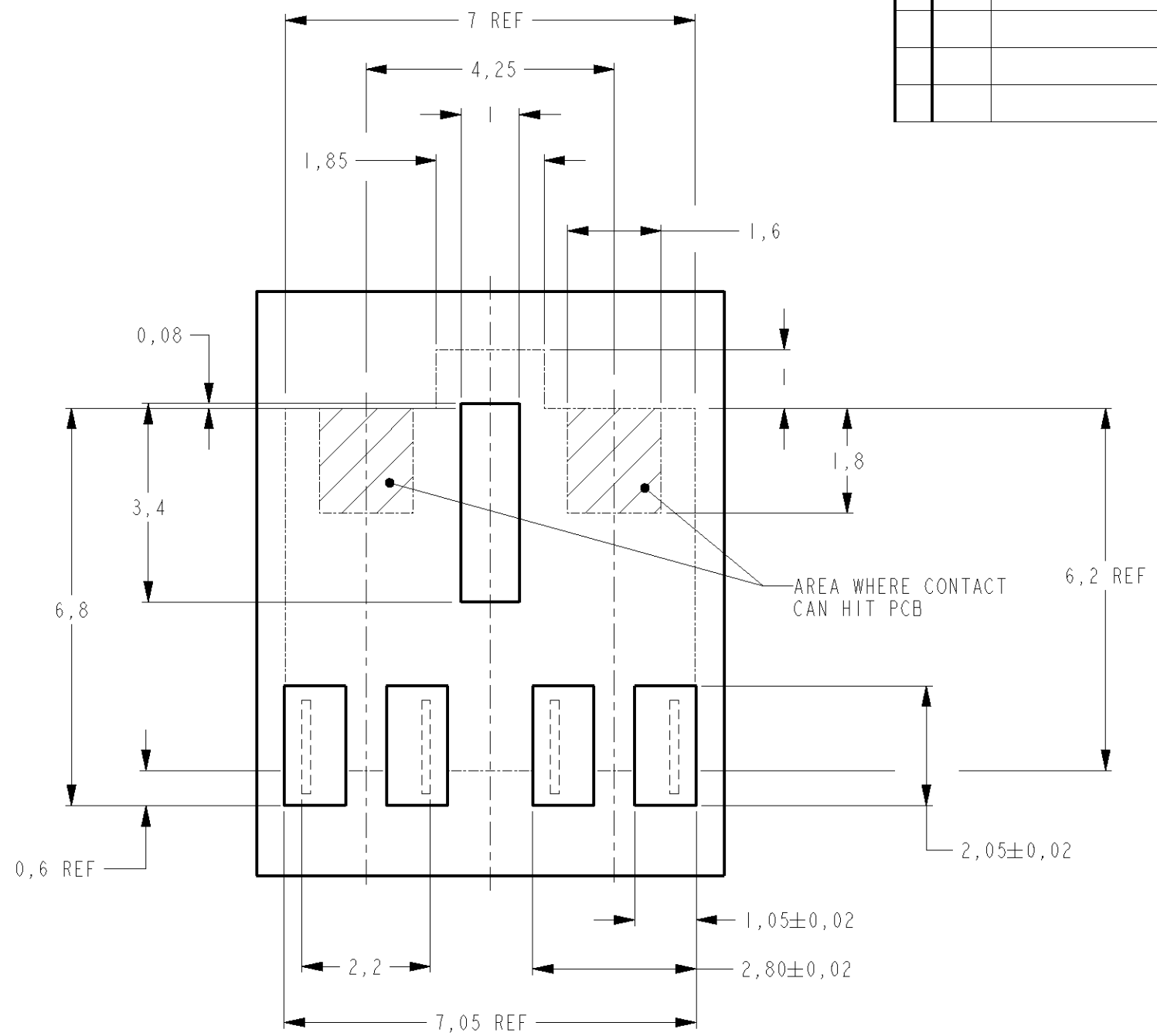
DWN	12 Jan 05
CHK	R. Coolen
APVD	W. Jansen
PRODUCT SPEC	P. Jaeger
APPLICATION SPEC	108-3419
WEIGHT	114-3211
	0,271 Gr
CUSTOMER DRAWING	

LEAD-FREE		6337194-1	
		PART NUMBER	
tyco Electronics		TYCO ELECTRONICS NEDERLAND B.V. 's-HERTOGENBOSCH, THE NETHERLANDS	
NAME			
BATTERY CONNECTOR ASSEMBLY			
SIZE	CAGE CODE	DRAWING NO	RESTRICTED TO
A3	00779	6337194	-
SCALE 8:1		SHEET 1 OF 2	
		REV A	

THIS DRAWING IS UNPUBLISHED. RELEASED FOR PUBLICATION

© COPYRIGHT BY TYCO ELECTRONICS CORPORATION. ALL RIGHTS RESERVED.

LOC	DIST	REVISIONS			
P	LTR	DESCRIPTION	DATE	DWN	APVD
H	-	-	-	-	-
		SEE SHEET 1			



RECOMMENDED PCB PAD LAYOUT
SCALE 10:1

<small>THIS DRAWING IS A CONTROLLED DOCUMENT FOR TYCO ELECTRONICS CORPORATION IT IS SUBJECT TO CHANGE AND THE CONTROLLING ENGINEERING ORGANIZATION SHOULD BE CONTACTED FOR THE LATEST REVISION.</small>		DWN R. Coolen 12 Jan 05 CHK W. Jansen - APVD P. Jaeger - PRODUCT SPEC - APPLICATION SPEC - WEIGHT -		tyco Electronics TYCO ELECTRONICS NEDERLAND B.V. 's-HERTOGENBOSCH, THE NETHERLANDS	
DIMENSIONS: mm 		TOLERANCES UNLESS OTHERWISE SPECIFIED: 0 PLC ±0,3 1 PLC ±0,13 2 PLC ±0,05 3 PLC ±- 4 PLC ±- ANGLES ±1		NAME BATTERY CONNECTOR PCB LAYOUT	
MATERIAL - FINISH -		CUSTOMER DRAWING		SIZE A3 CAGE CODE 00779 DRAWING NO C-6337194 RESTRICTED TO - SCALE 10:1 SHEET 2 OF 2 REV A	

单击下面可查看定价，库存，交付和生命周期等信息

[>>TE Connectivity\(泰科\)](#)