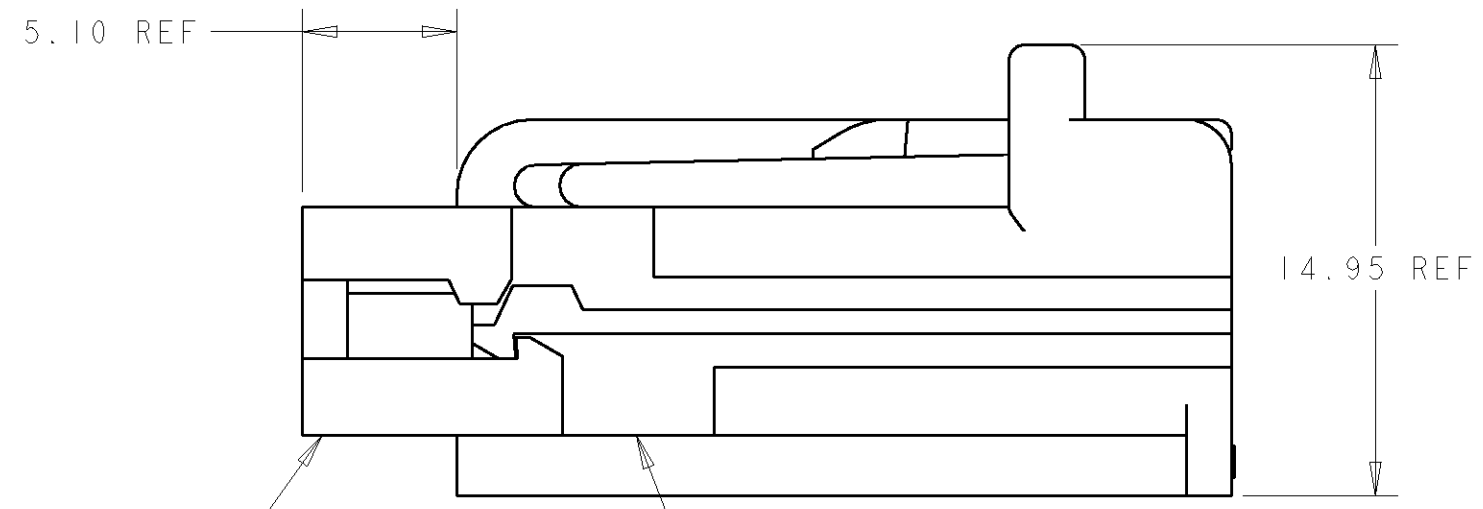
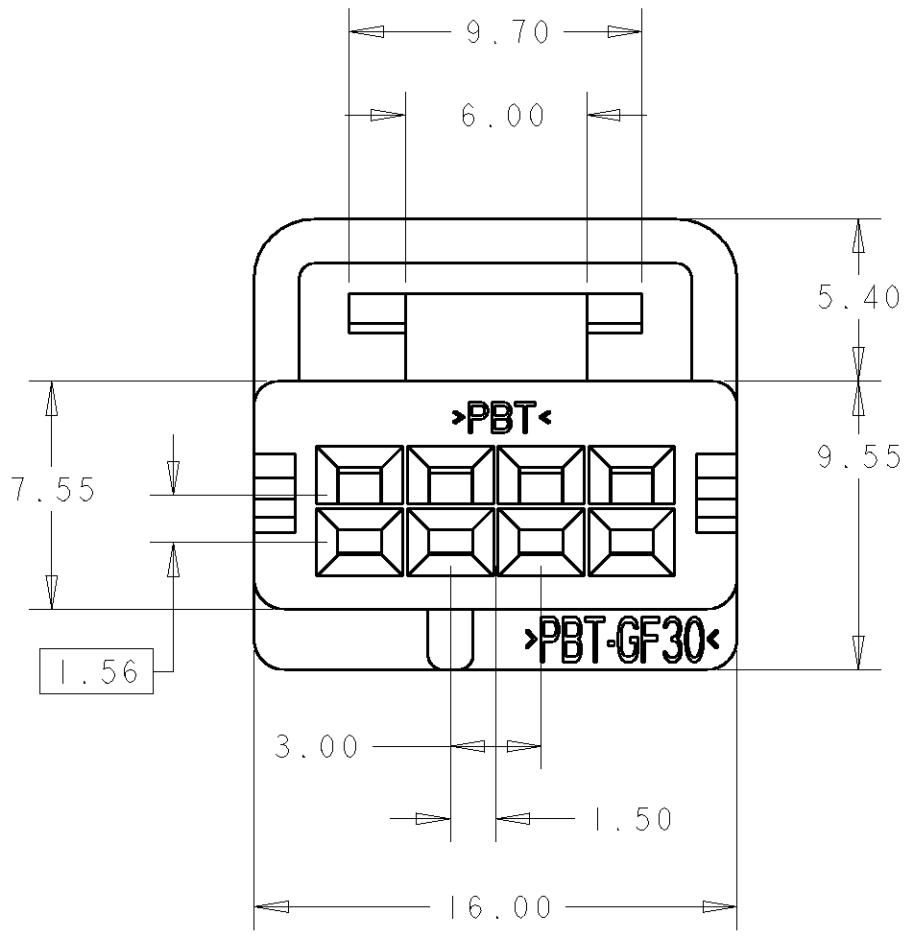
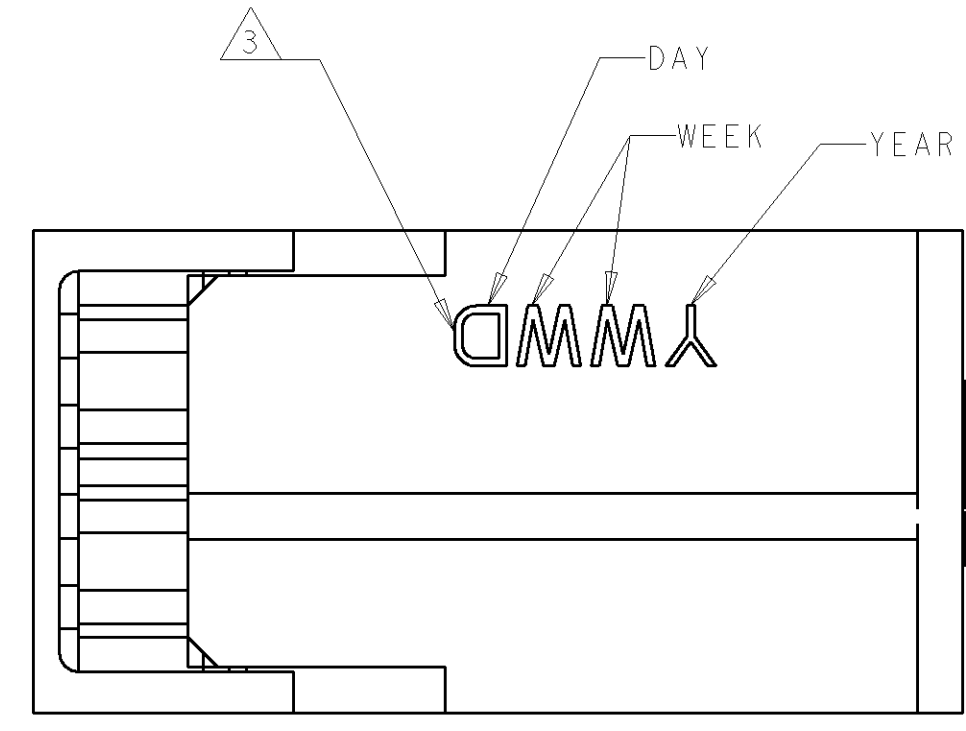


THIS DRAWING IS UNPUBLISHED. RELEASED FOR PUBLICATION
 © COPYRIGHT 19 BY AMP INCORPORATED. ALL RIGHTS RESERVED.

REVISIONS				
P	LTR	DESCRIPTION	DATE	APVD
	B	REV PER EC 0K80-0137-99	01OCT99	JRB CBP

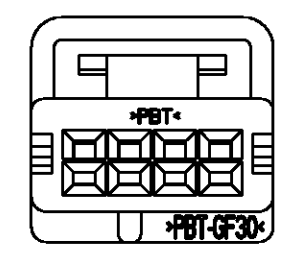


MATERIAL: VALOX 325 TPA COLOR-RED
 PLUG HOUSING MATERIAL: VALOX 508R COLOR-SEE TABLE

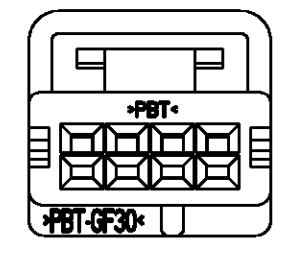


- 638119-1 (KEY A) SHOWN.
 - TO BE USED WITH RECEPTACLE P/N'S: 638187-1 & -2
- △ DATE CODE TO BE PERMANENTLY APPLIED APPROX IN AREA SHOWN.)

B	GRAY	638119-2
A	BLACK	638119-1
KEY CONFIGURATION	COLOR	PART NUMBER



638119-1
SCALE 2:1



638119-2
SCALE 2:1

THIS DRAWING IS A CONTROLLED DOCUMENT FOR AMP INCORPORATED. IT IS SUBJECT TO CHANGE AND THE CONTROLLING ENGINEERING ORGANIZATION SHOULD BE CONTACTED FOR THE LATEST REVISION.		DWN J.MCNEAL 01-15-98 CHK R.GRAY 01-15-98 APVD R.GRAY 01-15-98	AMP AMP Incorporated Harrisburg, PA 17105-3608
DIMENSIONS: mm 	TOLERANCES UNLESS OTHERWISE SPECIFIED: 0 PLC ± 1 PLC ±0.2 2 PLC ±0.1 3 PLC ± 4 PLC ±0.0001 ANGLES ± FINISH -	PRODUCT SPEC - APPLICATION SPEC - WEIGHT -	NAME 4 POSITION PLUG ASSEMBLY SINGLE ROW SIZE A2 CAGE CODE 00779 DRAWING NO. 638119 RESTRICTED TO -
MATERIAL -		CUSTOMER DRAWING SCALE 4:1 SHEET 1 OF 1 REV B	

单击下面可查看定价，库存，交付和生命周期等信息

[>>TE Connectivity\(泰科\)](#)