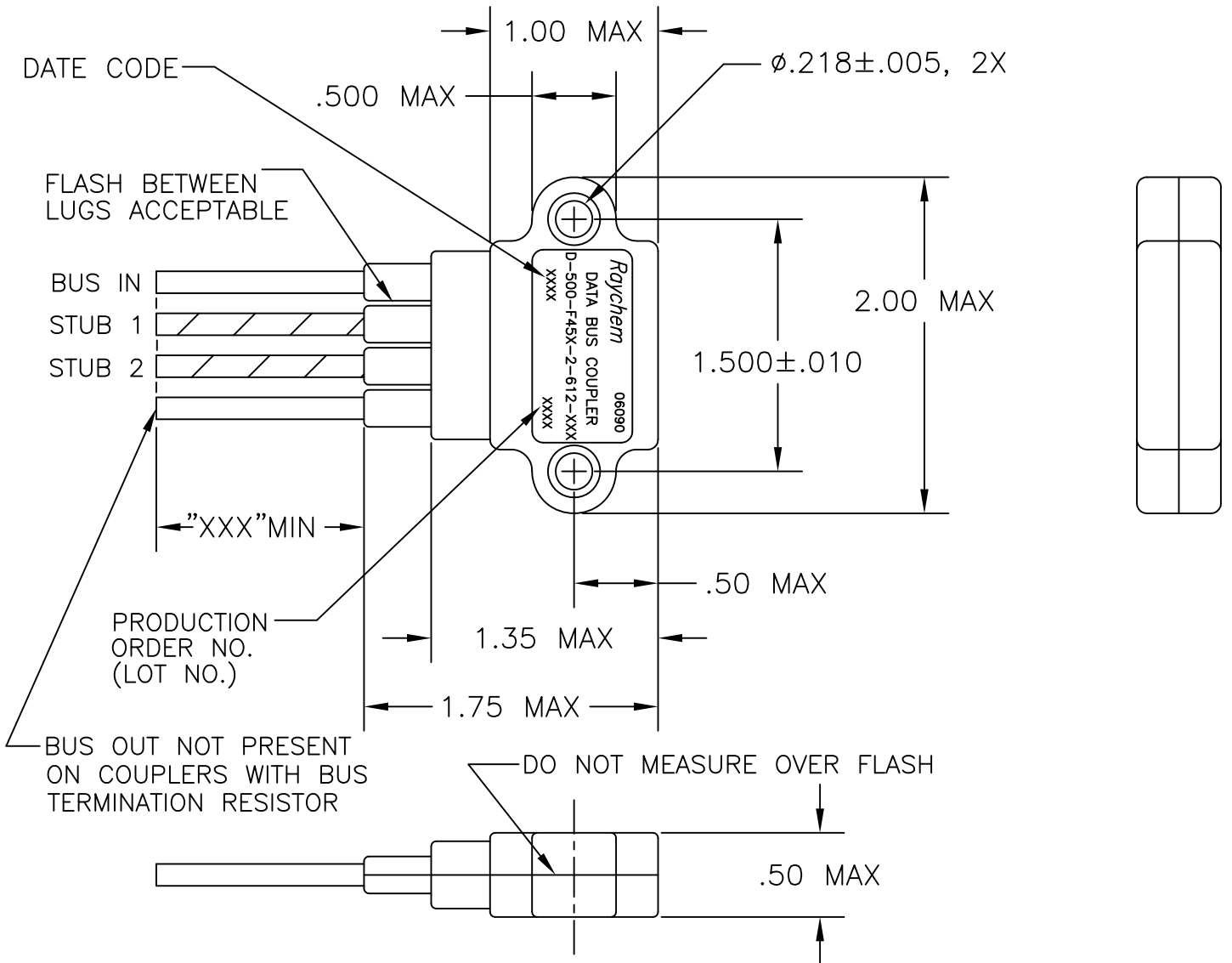


THIS DRAWING AND THE INFORMATION SET FORTH HEREON ARE THE PROPERTY OF TYCO ELECTRONICS CORPORATION, AND ARE TO BE HELD IN TRUST AND CONFIDENCE. PUBLICATION, DUPLICATION, DISCLOSURE OR USE FOR ANY PURPOSE NOT EXPRESSLY AUTHORIZED IN WRITING BY TYCO ELECTRONICS CORPORATION IS PROHIBITED.

REVISIONS			
REV	DESCRIPTION	DATE	APPROVED
G	REVISED DWG PER ECO-12-003699	2/29/12	E.Chen



PART NUMBER BREAKDOWN  
D-500-F45X-2-612-XXX

CONFIGURATION — CABLE LENGTH (INCHES)  
 5=BUS OUT — CABLE TYPE  
 7=INTERNAL BUS TERMINATOR — NUMBER OF STUBS

If this document is printed it becomes uncontrolled. Check for the latest revision

© 2012 Tyco Electronics Corporation. All Rights Reserved.

Raychem Databus CUSTOMER DRAWING

DIMENSIONING AND TOLERANCING PER ASME Y14.5M-2009	DRAWN MHOBSON	DATE 98MAR12
UNLESS OTHERWISE SPECIFIED DIMENSIONS ARE IN INCHES AND TOLERANCES ARE AS FOLLOWS:  .XXX ±.010 .XX ±.02	CHECKED GMR	DATE 2/29/12
	APPROVED	DATE
THIRD ANGLE PROJECTION		

TE Connectivity		
TITLE DATA BUS FLATPACK, SPLICE-IN, NAVIGATION, BELL HARNESS		

WEIGHT 25g { .055lbs }	PROJECT
------------------------	---------

SIZE A	CODE IDENT. NO. 06090	DWG. NO. D-500-F45X-2-612-XXX
-----------	--------------------------	----------------------------------

CAD NAME D-500-F45X-2-612-XXX\_CD G

DO NOT SCALE THIS DRAWING SHEET 1 OF 2

1.0 MATERIAL AND FINISHES:

1.1 INTERNAL COMPONENTS

1.1.1 TRANSFORMER COMPLIES TO MIL-PRF-21038 AND MIL-STD-1553B

1.1.2 ISOLATION RESISTORS TO MIL-PRF-39007/9, 57.6 OHMS

1.1.3 TERMINATION RESISTORS TO MIL-PRF-39007/9, 76.8 OHMS

1.2 SHIELDED CASE: ALUMINUM PER ASTM B618

1.3 CABLE TYPE PER SPECIFICATION RAYCHEM SPECIFICATION 1200 (SEE TABLE ON SHEET 1).

1.4 ENVIRONMENTAL COVERING: BLACK EPOXY

2.0 APPLICATION

2.1 THIS COUPLER IS DESIGNED TO BE INSTALLED INTO A DIGITAL MULTIPLEX ASSEMBLY MEETING THE REQUIREMENTS OF MIL-STD-1553B.

2.1.1 FOR CABLE SPLICING USE FLEXIBLE SPLICE KIT D-150-0708-5 (NOT SUPPLIED).

2.2 CABLE BEND RADIUS PER MIL-W-5088 STATIC BEND: 5 X CABLE O.D. MIN.

DYNAMIC BEND: 10 X CABLE O.D. MIN.

3.0 TEMPERATURE:

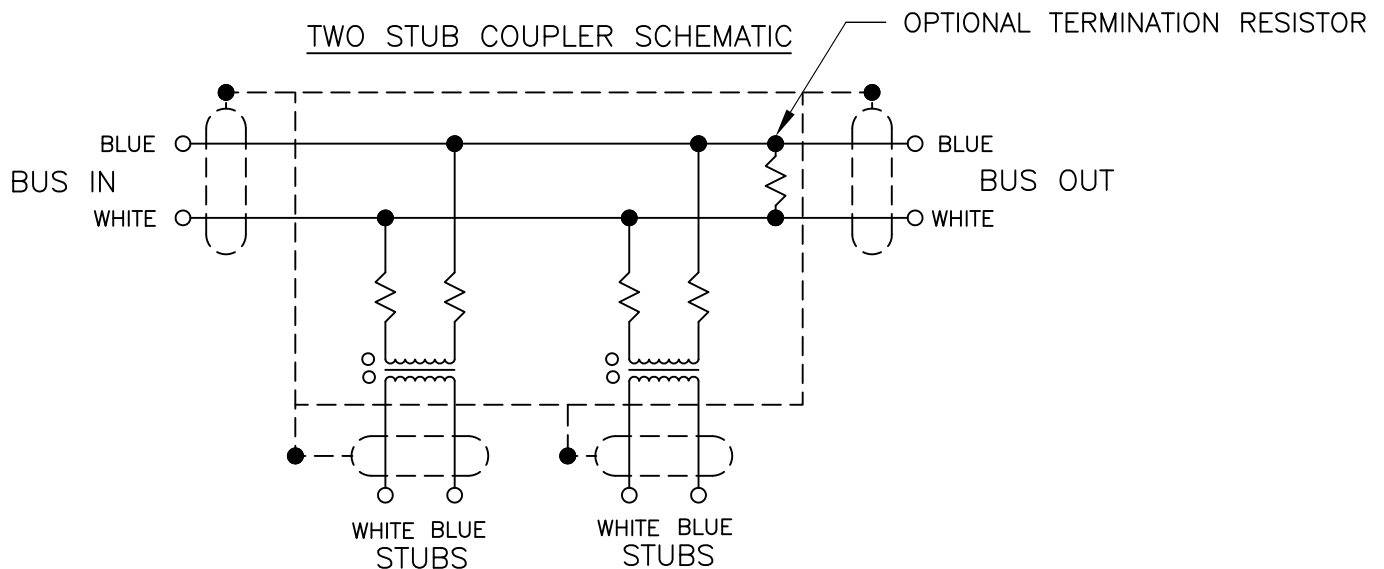
3.1 OPERATING TEMPERATURE: -46°C TO +150°C

4.0 WEIGHT:

4.1 MAXIMUM WEIGHT WITHOUT CABLE: 25 GRAMS MAX.

5.0 PERFORMANCE SPECIFICATIONS:

5.1 CONFIGURATION AND PERFORMANCE PER BELL DRAWING 406-375-229.



Raychem Databus CUSTOMER DRAWING



TE Connectivity

If this document is printed it becomes uncontrolled. Check for the latest revision

DRAWN M.HOBSON	DATE 98MAR12	SIZE A	CODE IDENT. NO. 06090	DWG. NO. D-500-F45X-2-612-XXX	REV G
CAD FILE D-500-F45X-2-612-XXX_CDb_C		DO NOT SCALE DRAWING			SHEET 2 OF 2

单击下面可查看定价，库存，交付和生命周期等信息

[>>TE Connectivity\(泰科\)](#)