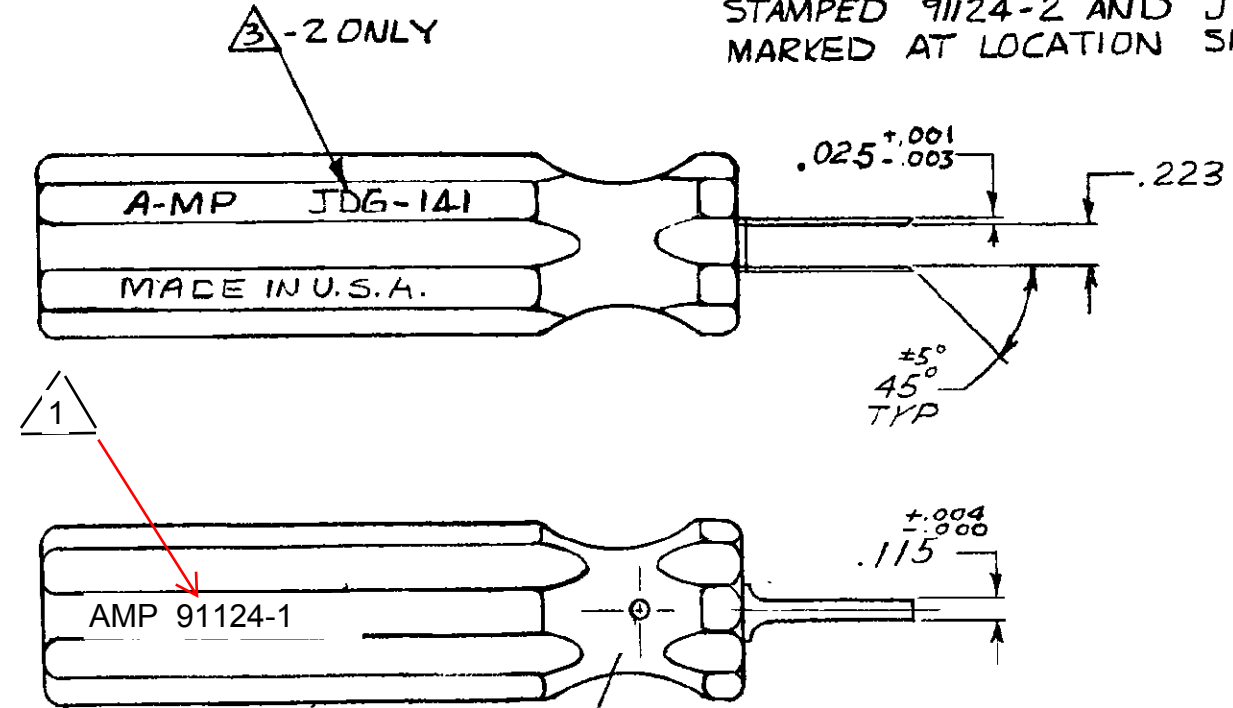


THIS INFORMATION IS CONFIDENTIAL AND IS DISCLOSED TO YOU ON CONDITION THAT NO FURTHER DISCLOSURE IS MADE BY YOU TO OTHER THAN AMP PERSONNEL WITHOUT WRITTEN AUTHORIZATION FROM AMP INCORPORATED, HARRISBURG, PA.

- ② -1 STAMPED AMP 91124-1, MADE IN U.S.A.
- ③ -2 SAME AS -1 EXCEPT:
STAMPED 91124-2 AND JDG-141
MARKED AT LOCATION SHOWN.



LOC
DF
DIST
B4

				DIMENSIONS IN INCHES		MATERIAL		HEAT TREAT		FINISH	
				TOLERANCES UNLESS OTHERWISE SPECIFIED:		DR		APP		TE Connectivity	
				DECIMALS: .00 ± .02,		CJ Hayduk 12/15		Cali 12/15		Harrisburg Pa	
				.000 ± .005, .0000 ± .0005		CHK		REL			
				ANGLES ± 0° 30'		Cali 12/15		CPI Steel 2/16			
				SURF TEXTURE: #J		NAME					
				REMOVE BURRS, BREAK SHARP EDGES .015R MAX		TOOL-EXTRACTION					
SCALE		SHEET		LOC		NO		REV			
1-1		---		DF		B		91124		A	
P	F	L	T	R	REVISION RECORD	APP	DATE				
		A	RELEASED	CT	DE	3-14					

单击下面可查看定价，库存，交付和生命周期等信息

[>>TE Connectivity\(泰科\)](#)