

THIS DRAWING IS UNPUBLISHED.

RELEASED FOR PUBLICATION

© COPYRIGHT - By -

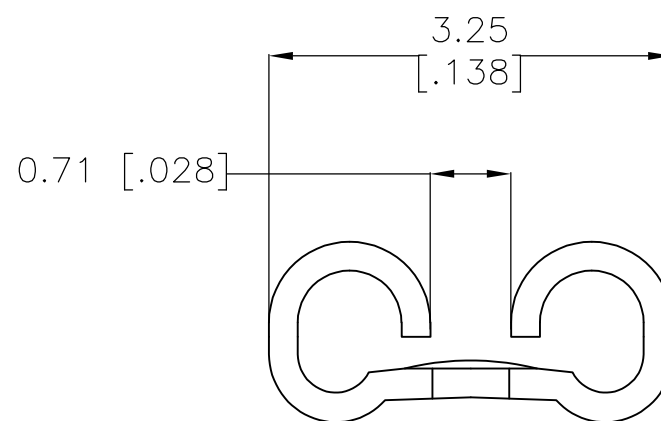
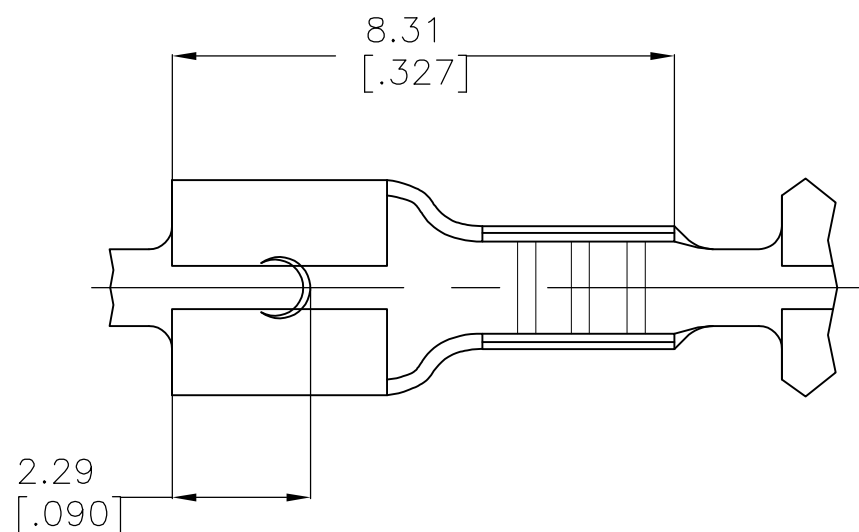
ALL RIGHTS RESERVED.

LOC AF DIST 50

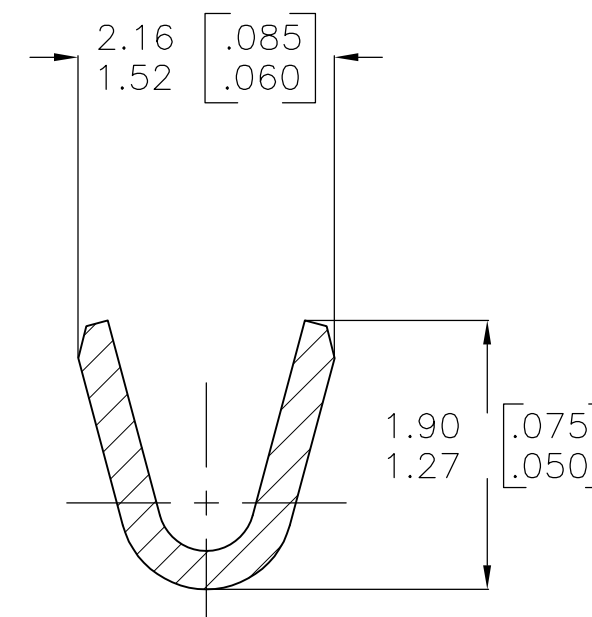
REVISIONS

P	LTR	DESCRIPTION	DATE	DWN	APVD
B1		REVISED PER ECR-15-009894	01JULY2015	PK	TD

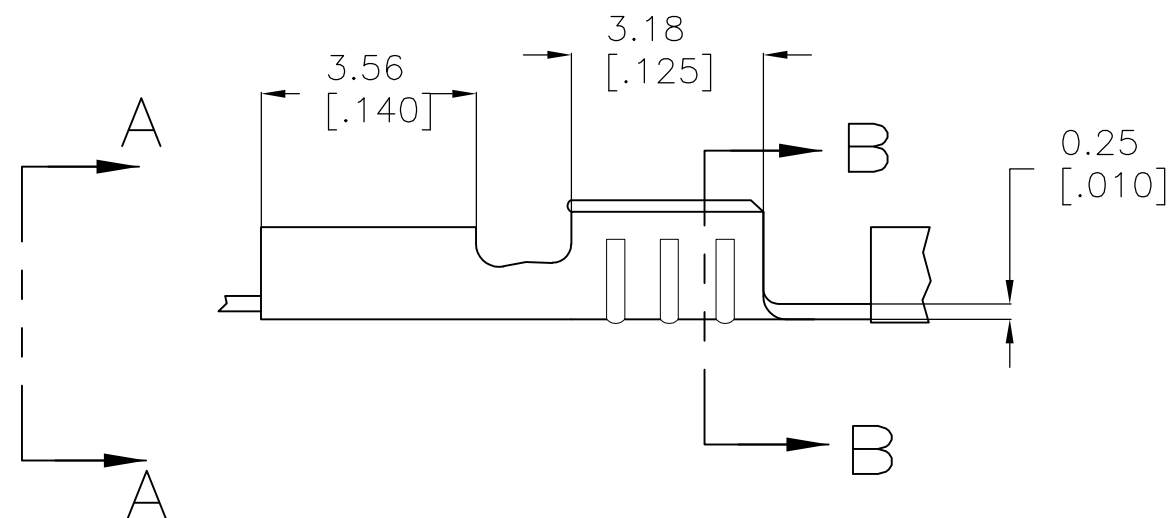
- 1 CONTINUOUS STRIP ON REELS.
- 2 WIRE SIZES #26-#22 AWG.
- 3 MATES WITH 0.38±0.025 [.015±.001]
- 4 THIS PART MUST BE REELED ON TO PLASTIC REELS.
- 5 PRELIMINARY PART NUMBER. NOT RELEASED FOR PRODUCTION



VIEW A-A



SECTION B-B



5	1742656-2
	1742656-1
	PART NO.

THIS DRAWING IS A CONTROLLED DOCUMENT.		DWN JR RUTH 05NOV07	STE TE Connectivity														
DIMENSIONS: mm [INCHES]		CHK P DESANTIS 05NOV07															
TOLERANCES UNLESS OTHERWISE SPECIFIED:		APVD P DESANTIS 05NOV07	NAME RECEPTACLE, FASTON, 2.79 [.110] SERIES														
<table border="0"> <tr><td>0 PLC</td><td>± -</td></tr> <tr><td>1 PLC</td><td>± -</td></tr> <tr><td>2 PLC</td><td>± 0.13 [.005]</td></tr> <tr><td>3 PLC</td><td>± -</td></tr> <tr><td>4 PLC</td><td>± -</td></tr> <tr><td>ANGLES</td><td>± 1°</td></tr> </table>		0 PLC	± -	1 PLC	± -	2 PLC	± 0.13 [.005]	3 PLC	± -	4 PLC	± -	ANGLES	± 1°	PRODUCT SPEC -	SIZE A3 CAGE CODE 00779 DRAWING NO C-1742656 RESTRICTED TO -		
0 PLC	± -																
1 PLC	± -																
2 PLC	± 0.13 [.005]																
3 PLC	± -																
4 PLC	± -																
ANGLES	± 1°																
MATERIAL BRASS		FINISH -	WEIGHT -														
		CUSTOMER DRAWING		SCALE 8:1	SHEET 1 OF 1												
				REV B1													

单击下面可查看定价，库存，交付和生命周期等信息

[>>TE Connectivity\(泰科\)](#)