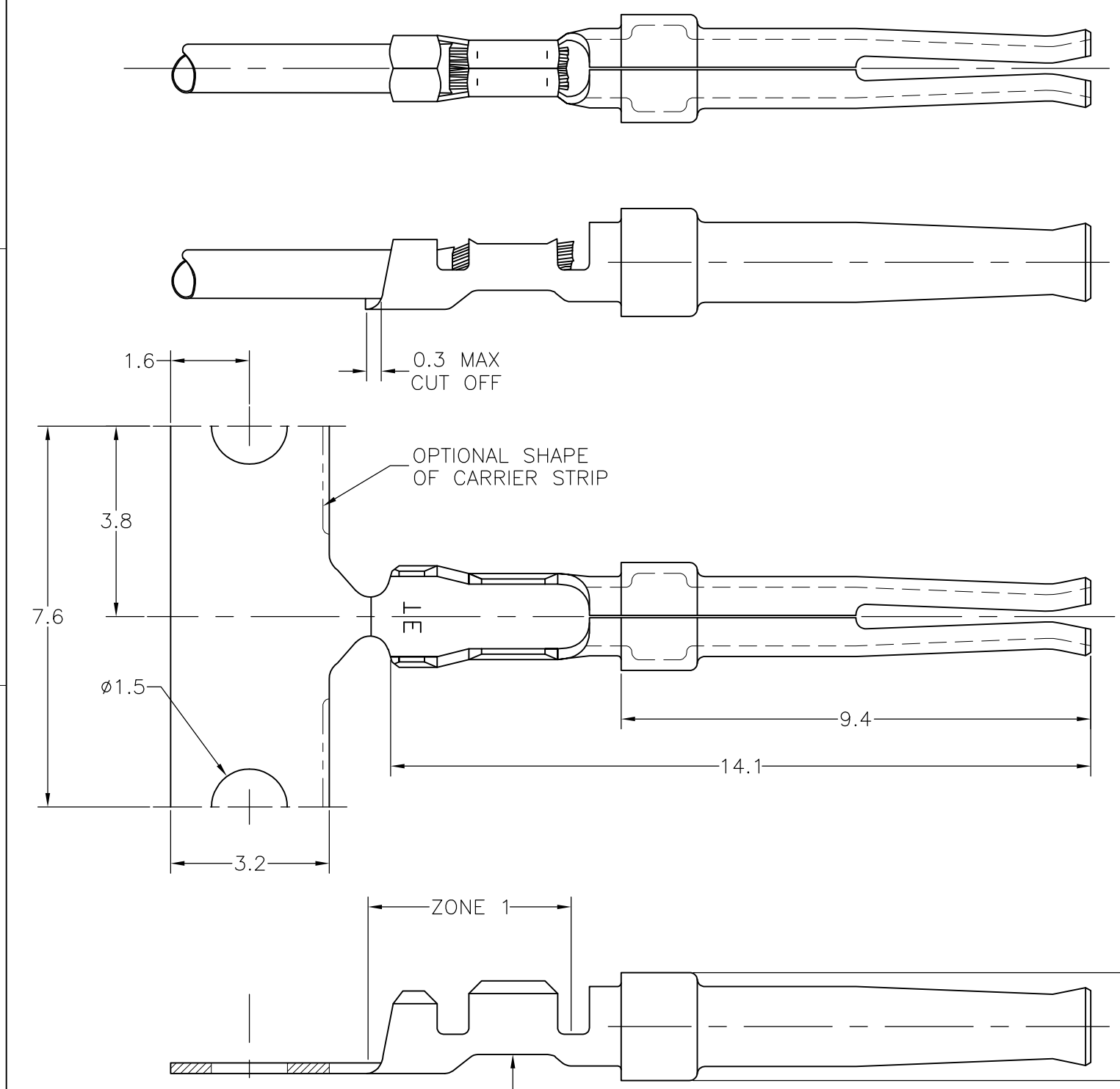


THIS DRAWING IS UNPUBLISHED. RELEASED FOR PUBLICATION
 © COPYRIGHT - By - ALL RIGHTS RESERVED.

LOC	DIST	REVISIONS			
P	LTR	DESCRIPTION	DATE	DWN	APVD
GP	00	T	REVISED PER ECO-11-020101	10APR2012	CJV CWR

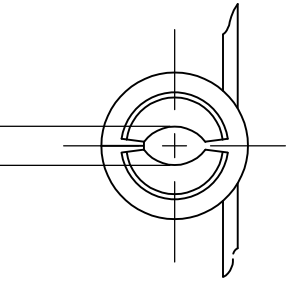
- NOTES:
- 1 FOR MINI-APPLICATOR-12500 PCS REEL.
 - 2 FOR REEL-FEED HAND TOOLING-500 PCS REEL.
 - 3 FOR HAND TOOLING- LOOSE PIECE.
 - 4. MATERIAL: PHOSPHORBRONZE.
 - 5 FINISH:
 - Ni UNDERPLATING ALL OVER.
 - CONTACT AREA PLATING MEETS IEC-807-3 PERFORMANCE LEVEL 2.
 - CRIMP ZONE Sn PLATED.



WIRE RANGE: 28-24 AWG(0,08-0,22mm²)
 INSUL. RANGE: 0,76-1,02 DIA

BLUE COLOR CODE
(LOOSE-PIECE ONLY)

I.D. ACCOMMODATES
Ø1,0 PIN



THIS DRAWING IS A CONTROLLED DOCUMENT.

DIMENSIONS:	TOLERANCES UNLESS OTHERWISE SPECIFIED:
mm	
0 PLC	± -
1 PLC	± 0,127
2 PLC	± -
3 PLC	± -
4 PLC	± -
ANGLES	± -
MATERIAL	FINISH
-	-

FINISH	LOOSE PIECE	PART NUMBER	PART NUMBER
5	3	5-166052-1	166052-1

DWN -		09SEP08		 TE Connectivity	SOCKET CONTACT, SIZE 20 DF.				
CHK	K.MALCZYK	APVD	T.DE BOER						
PRODUCT SPEC									
APPLICATION SPEC									
108-40005		114-10000		SIZE	CAGE CODE	DRAWING NO	RESTRICTED TO		
WEIGHT -		A3 00779		C-166052		-			
CUSTOMER DRAWING				SCALE	NTS	SHEET	1 OF 1	REV	T

单击下面可查看定价，库存，交付和生命周期等信息

[>>TE Connectivity\(泰科\)](#)