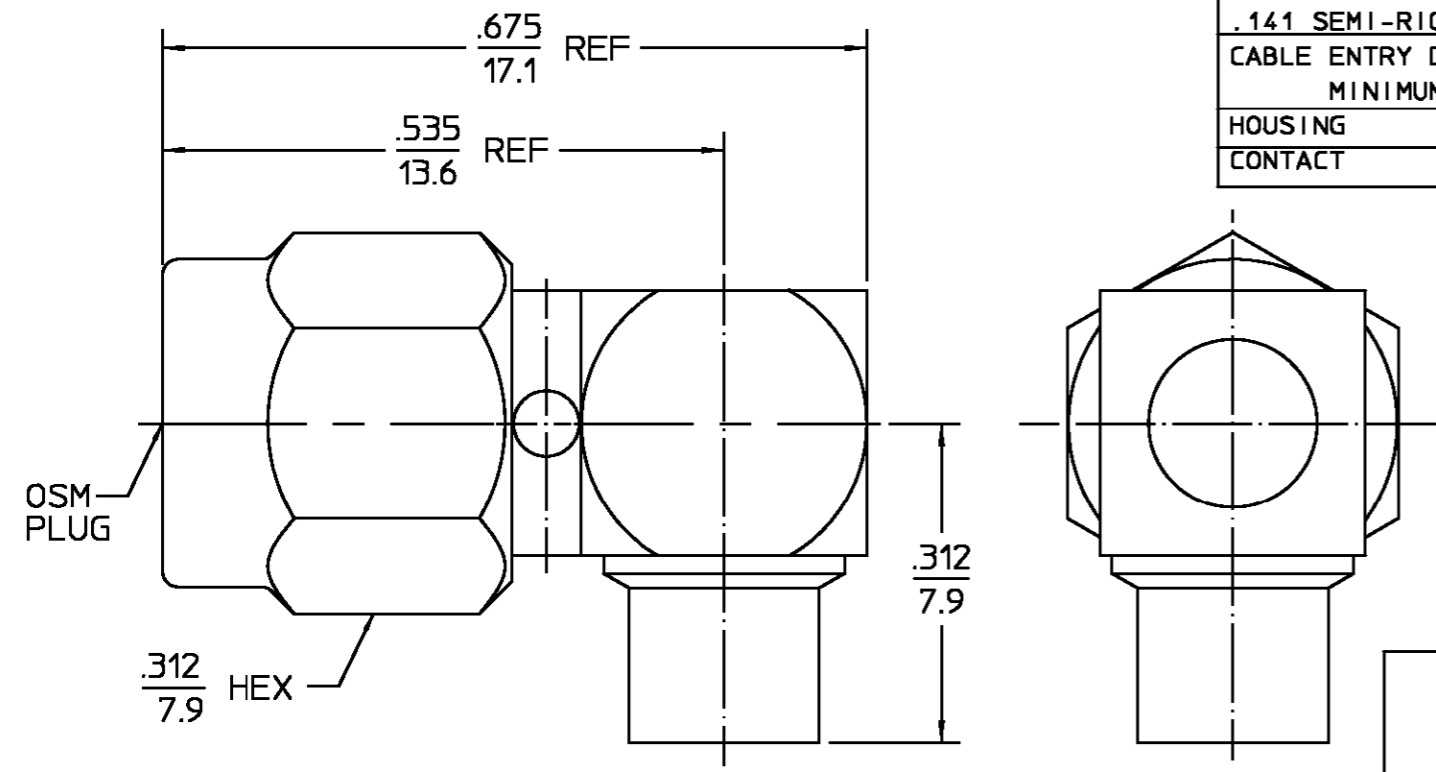


DESIGNED FOR USE WITH .141 SEMI-RIGID CABLE	
CABLE ENTRY DIAMETER MINIMUM	
HOUSING	.144
CONTACT	.037

REVISIONS			
REV	DESCRIPTION	DATE	APPROVED
01 ₃	REVISED	4-12-95	JAD



COMPONENT	MATERIAL	FINISH
COUPLING NUT	STAINLESS STEEL PER ASTM-A484 AND ASTM-A582, TYPE 303	PASSIVATE PER QQ-P-35
HOUSING CAP	STAINLESS STEEL PER ASTM-A484 AND ASTM-A582, TYPE 303	GOLD PLATE PER MIL-G-45204
DIELECTRIC	TFE FLUOROCARBON PER ASTM-D-1457	N/A
CENTER CONTACT	BERYLLIUM COPPER PER ASTM-B-196 OR ASTM-B-197 ALLOY C17300, CONDITION H	GOLD PLATE PER MIL-G-45204
RETAINING RING	BERYLLIUM COPPER PER ASTM-B-194, ALLOY C17200, CONDITION H	N/A
GASKET	SILICONE RUBBER PER ZZ-R-765	N/A

ELECTRICAL	MECHANICAL	ENVIRONMENTAL
Nominal Impedance (Ohms) <u>50</u>	Interface Dimensions MIL-STD-348A, Fig. 310.1	Temperature Rating <u>-65°C to +165°C</u>
Frequency Range (GHz) DC to <u>18</u>	Recommended Mating	Vibration MIL-STD-202, Method 204, Condition D.
Volt Rating (VRMS MAX) @ Sea Level <u>335</u>	Torque <u>7-10 in-lbs</u>	Shock MIL-STD-202, Method 213, Condition I.
VSWR <u>1.10 ±.01 f (GHz)</u>	Mating Characteristics:	Thermal Shock MIL-STD-202, Method 107, Condition B.
Insertion Loss (dB MAX) <u>.05 √f(GHz)</u>	Insertion (MAX Lbs) <u>3.0</u>	Except High Temp <u>+115°C</u>
RF Leakage (dB MIN) <u>[-90-f(GHz)]</u>	Withdrawal (MIN Oz) <u>1.0</u>	Moisture Resistance MIL-STD-202, Method 106
Corona, 70,000 Ft (VRMS MIN) <u>250</u>	Force to Engage and Disengage (In-Lbs MAX) <u>2.0</u>	Corrosion - MIL-STD-202, Method 101, Condition B, 5% salt spray
Dielectric Withstanding Voltage (VRMS MIN) @ Sea Level <u>1,500</u>	Center Contact Captivation	
Contact Resistance (Milliohms MAX)	Axial (Lbs) <u>6.0</u>	
Center Contact <u>2.0</u>	Radial (In-Oz) <u>N/A</u>	
Outer Contact <u>2.0</u>	Cable Retention	
Cable to Housing <u>0.5</u>	Axial Force (Lbs MIN) <u>60</u>	
RF High Potential @ Sea Level (VRMS MIN @ 5 MHz) <u>1,000</u>	Torque (In-Oz) <u>55</u>	
I.R.(Megohms MIN) <u>10,000</u>	Weight (Grams) <u>TBD</u>	

UNLESS OTHERWISE SPECIFIED DIMENSIONS ARE IN INCHES	DRAWN BY R.B.G. DATE 11-20-76	 AMP Incorporated 140 Fourth Avenue Waltham, MA 02451-7599
TOLERANCE ON	CHECKED BY E.C.A. DATE 11-22-76	
FRAC. DEC. ANGLES ± 1/64 ±.005 ± °	APPD BY R.M.F. DATE 12-1-76	
These drawings and specifications are the property of Omni Spectra Incorporated and shall not be reproduced or copied or used in whole or in part as the basis for the manufacture or sale of items without written permission.	USE ASS'Y PROCEDURE	
	408-04830 NO. AP. (20-017)	
		TITLE OSM HIGH FREQUENCY RIGHT ANGLE CABLE PLUG DIRECT SOLDER
	SIZE B	CODE IDENT NO. 26805
		2007-5054-02
		REV 01 ₃
	SCALE 5 : 1	SHEET 1 OF 1

CUSTOMER DRAWING AMP PART # 1051110-1 SHEET 1 OF 1 REV A

单击下面可查看定价，库存，交付和生命周期等信息

[>>TE Connectivity\(泰科\)](#)