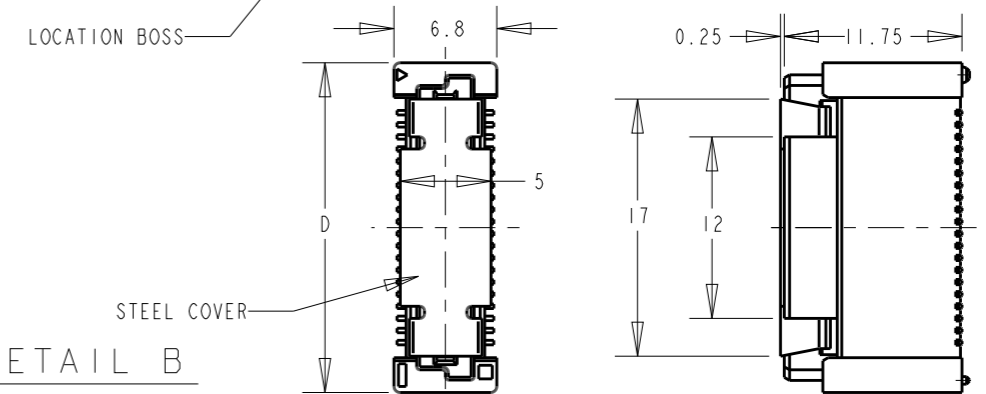
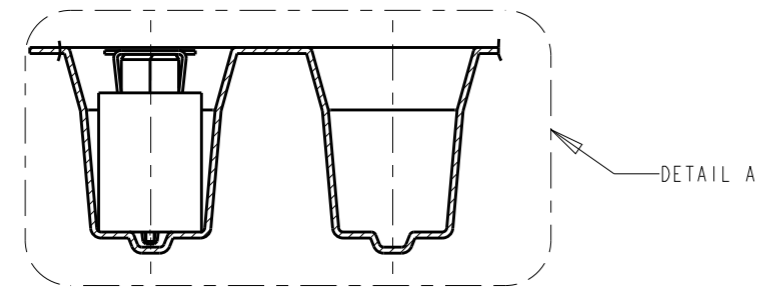
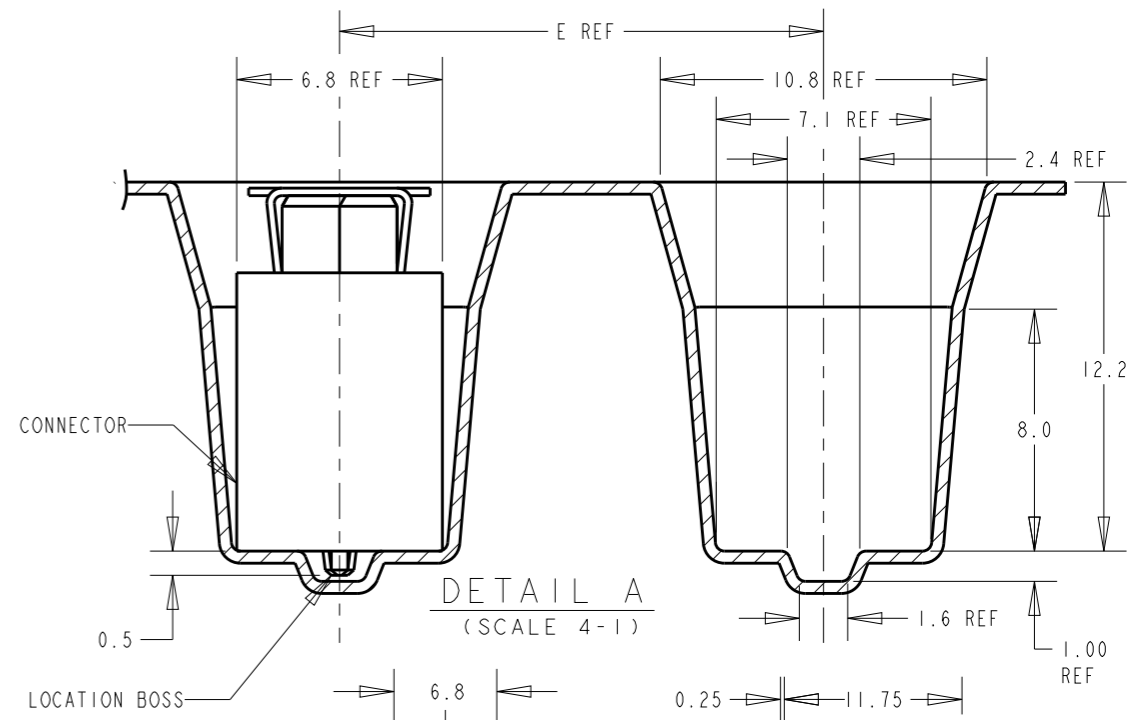
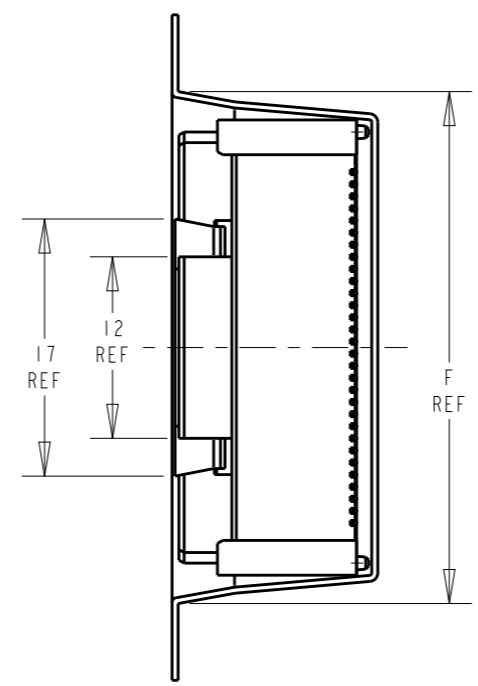
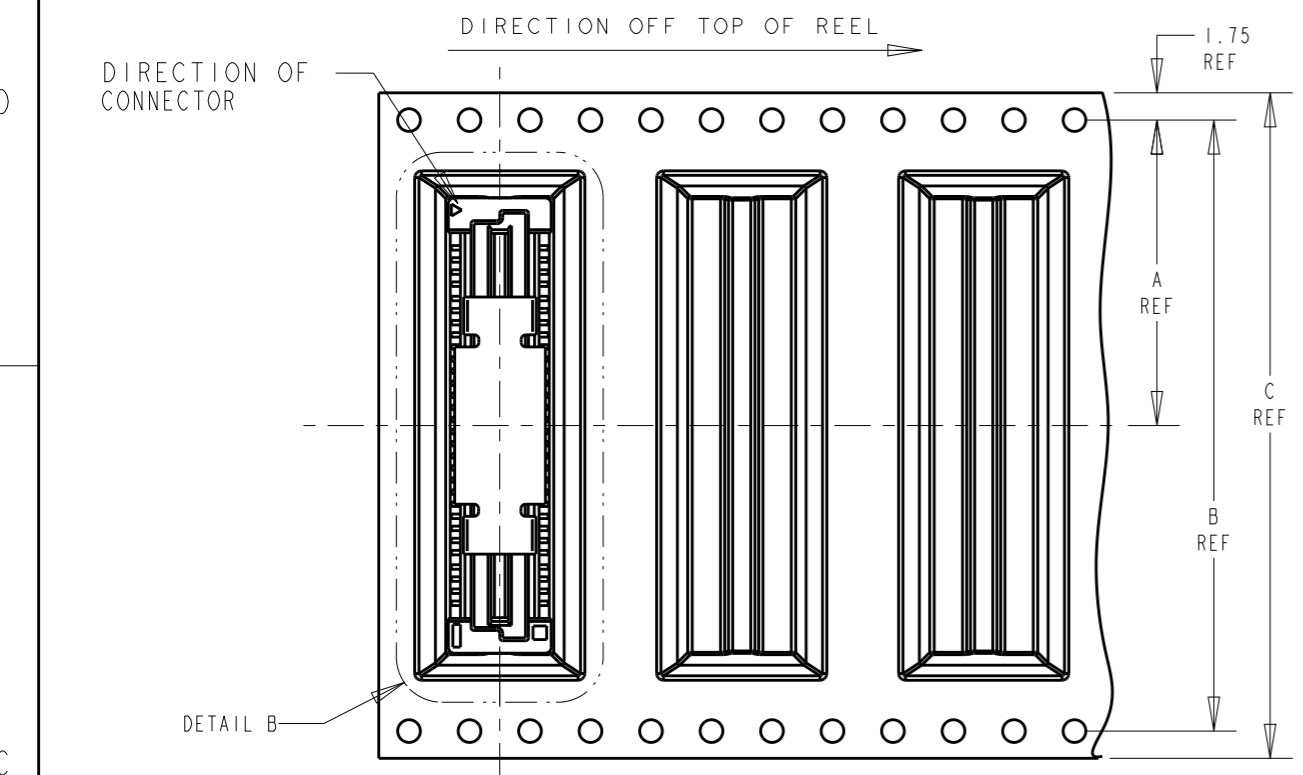
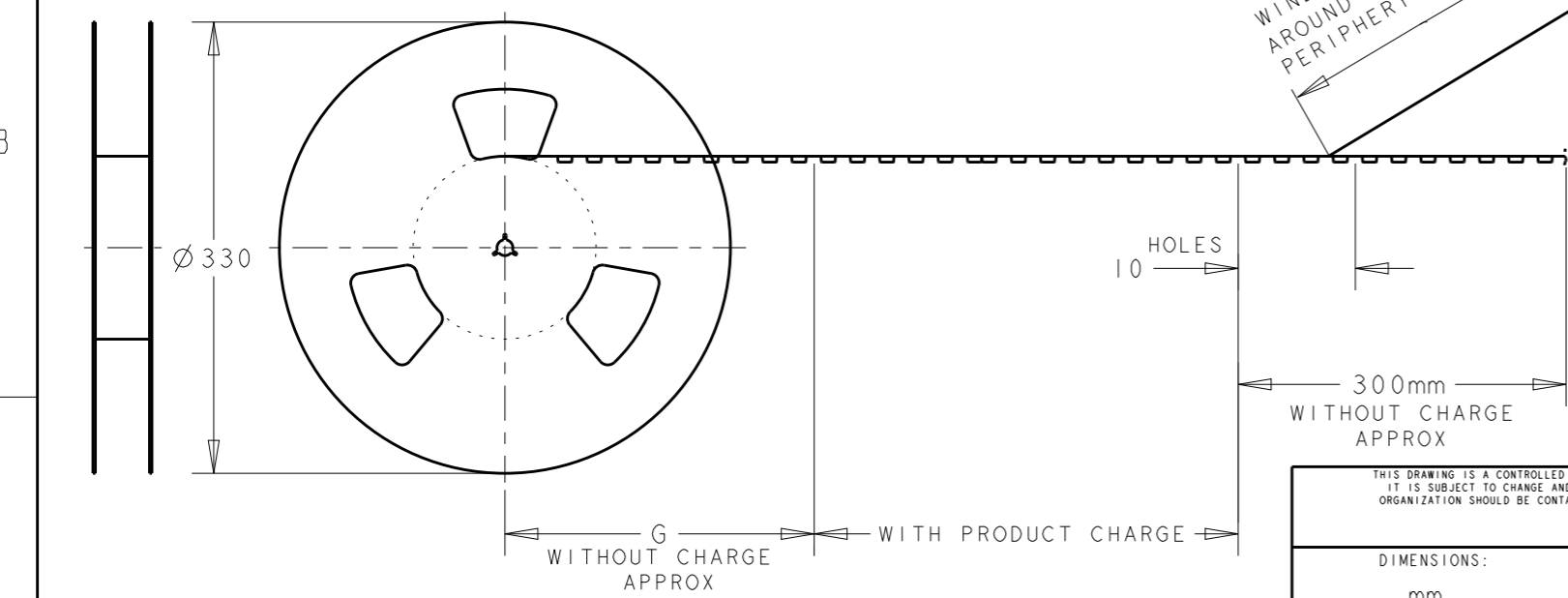


THIS DRAWING IS UNPUBLISHED. RELEASED FOR PUBLICATION .19
 BY AMP INCORPORATED. ALL RIGHTS RESERVED.

LOC	DIST	REVISIONS				
P	LTR	DESCRIPTION	DATE	DWN	APVD	
DY	-	AI REVISED PER ECO-17-018857	28DEC2017	R.L	H.L	



WINDING THE COVER TAPE
 AROUND THE OUTER
 PERIPHERY IN A TURN.

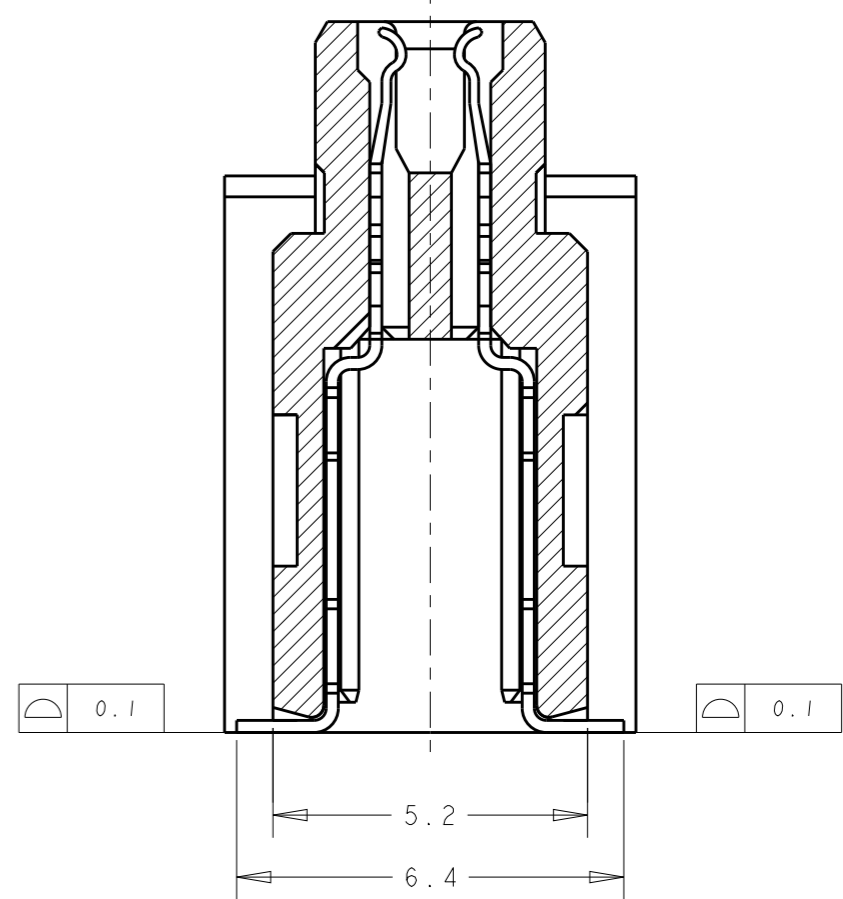
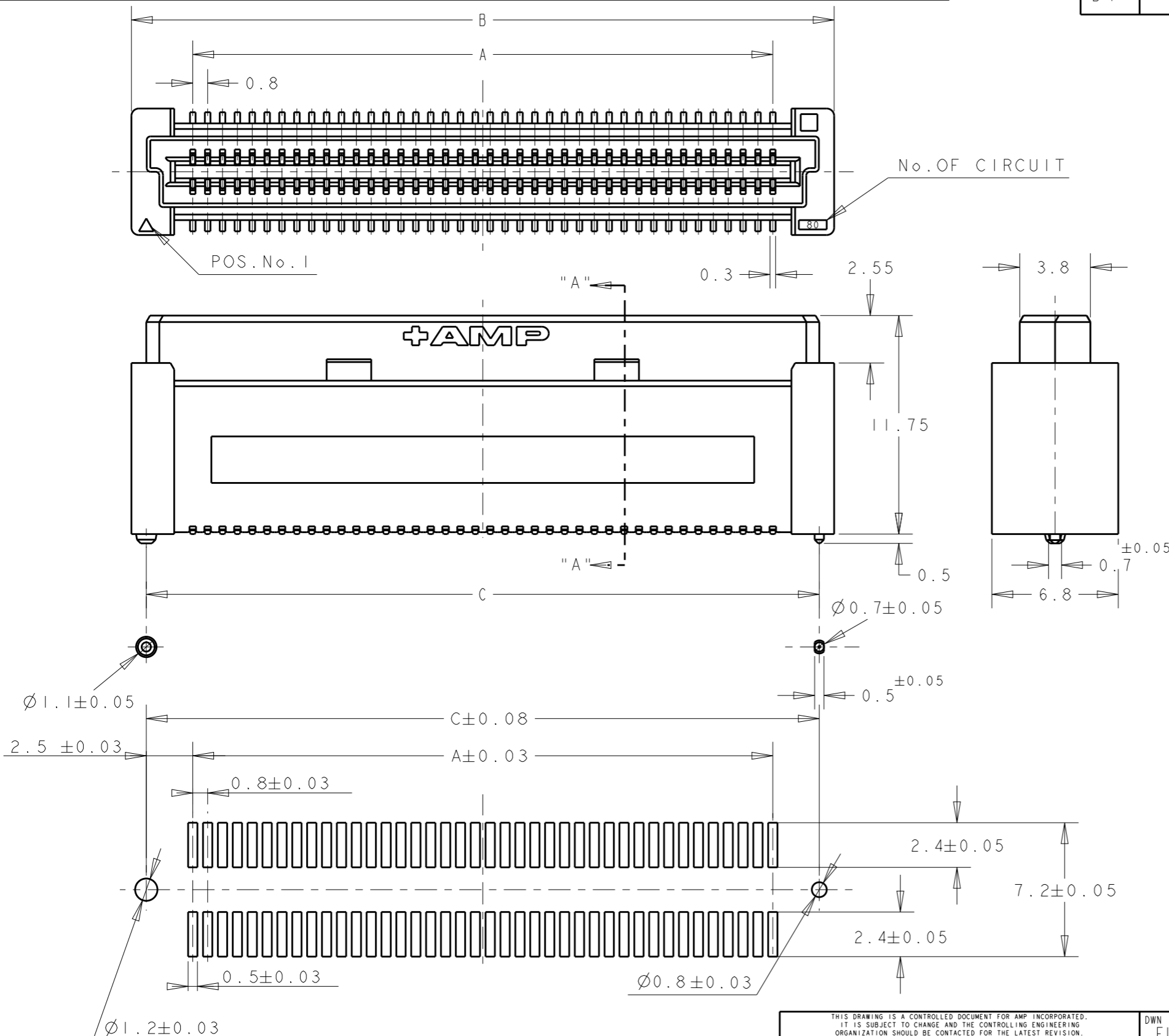


200	300	89.8	16	85.8	104	100.4	50.2	200	1-1735681-0
200	300	81.8	16	77.8	104	100.4	50.2	180	1735681-9
200	300	73.8	16	69.8	88	84.4	42.2	160	1735681-8
200	300	65.8	16	61.8	88	84.4	42.2	140	1735681-6
200	300	57.8	16	53.8	72	68.4	34.2	120	1735681-5
200	300	49.8	16	45.8	72	68.4	34.2	100	1735681-4
200	300	41.8	16	37.8	56	52.4	26.2	80	1735681-3
200	300	33.8	16	29.8	44	40.4	20.2	60	1735681-2
200	300	25.8	16	21.8	44	40.4	20.2	40	1735681-1
QTY	G	F	E	D	C	B	A	POS	PART NO.

THIS DRAWING IS A CONTROLLED DOCUMENT FOR AMP INCORPORATED. IT IS SUBJECT TO CHANGE AND THE CONTROLLING ENGINEERING ORGANIZATION SHOULD BE CONTACTED FOR THE LATEST REVISION.		DWN FLORENCE TAN 01SEP04	AMP Tyco Electronics (Singapore) Pte. Ltd.
DIMENSIONS: mm		CHK ERIC TNG	
TOLERANCES UNLESS OTHERWISE SPECIFIED: 0 PLC ±- 1 PLC ±0.30 2 PLC ±0.25 3 PLC ±0.20 4 PLC ±- ANGLES ±-		APVD SEIFONG	NAME RECEPTACLE ASS'Y 13H TYPE (0.5 BOSS LENGTH) FOR FH 0.8mm B-T-B CONN. ON TAPING
MATERIAL -		PRODUCT SPEC 108-5390	
FINISH -		APPLICATION SPEC 114-5254	SIZE A3
		WEIGHT -	CAGE CODE 00779
		CUSTOMER DRAWING	DRAWING NO 1735681
			SCALE 2:1 SHEET 1 OF 2 REV AI

ADD CONNECTOR INFORMATION SHEET

LOC	DIST	REVISIONS					
DY	-	P	LTR	DESCRIPTION	DATE	DWN	APVD
				SEE SHEET 1			



	84.20	85.80	79.20	200	1-	-0
	76.20	77.80	71.20	180		-9
	68.20	69.80	63.20	160		-8
	60.20	61.80	55.20	140		-6
	52.20	53.80	47.20	120		-5
	44.20	45.80	39.20	100		-4
	36.20	37.80	31.20	80		-3
	28.20	29.80	23.20	60		-2
0.5	20.20	21.80	15.20	40		1735681-1
D	C	B	A	POS.	PART No.	

NOTES:
 MATERIALS:
 HOUSING: L.C.P (HIGH TEMP THERMO-PLASTIC)
 UL 94V-0, NATURAL.
 CONTACT: COPPER ALLOY.
 FINISH:
 ENGAGEMENT AREA: 0.00038 MIN GOLD
 SOLDERING AREA: 0.002 MIN MATTE TIN
 UNDERCOAT: 0.0013 MIN NICKEL ALL OVER

THIS DRAWING IS A CONTROLLED DOCUMENT FOR AMP INCORPORATED. IT IS SUBJECT TO CHANGE AND THE CONTROLLING ENGINEERING ORGANIZATION SHOULD BE CONTACTED FOR THE LATEST REVISION.

DIMENSIONS:	TOLERANCES UNLESS OTHERWISE SPECIFIED:
mm	
	0 PLC ±
	1 PLC ±0.30
	2 PLC ±0.25
	3 PLC ±0.20
	4 PLC ±
	ANGLES ±
MATERIAL	FINISH
-	-

DWN 01SEP04 FLORENCE TAN
 CHK ERIC TNG
 APVD SEIFONG
 PRODUCT SPEC 108-5390
 APPLICATION SPEC 114-5254
 WEIGHT -

AMP Tyco Electronics Singapore Pte. Ltd.

NAME RECEPTACLE ASS'Y 13H TYPE (0.5 BOSS LENGTH) FOR FH 0.8mm B-T-B CONN. ON TAPING

SIZE	CAGE CODE	DRAWING NO
A3	00779	1735681

CUSTOMER DRAWING SCALE 2:1 SHEET 2 OF 2 REV A1

单击下面可查看定价，库存，交付和生命周期等信息

[>>TE Connectivity\(泰科\)](#)