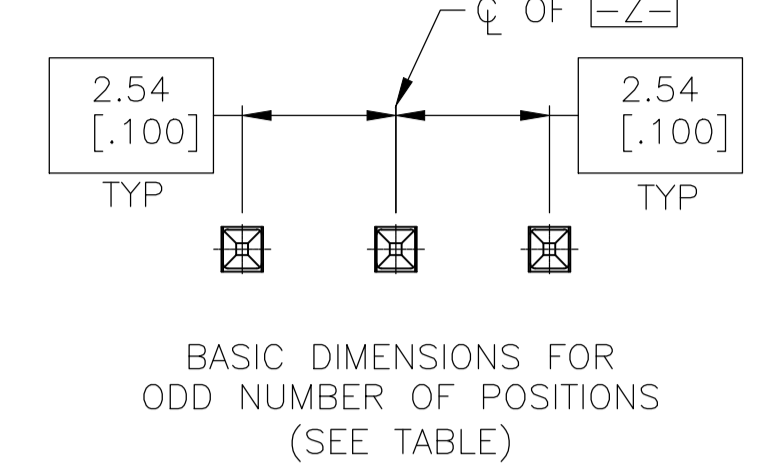
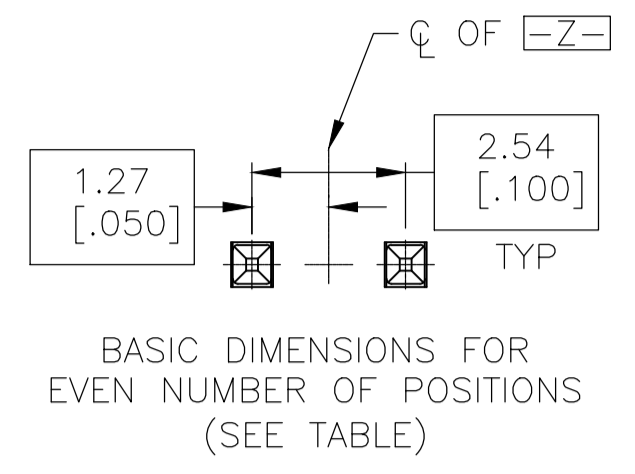
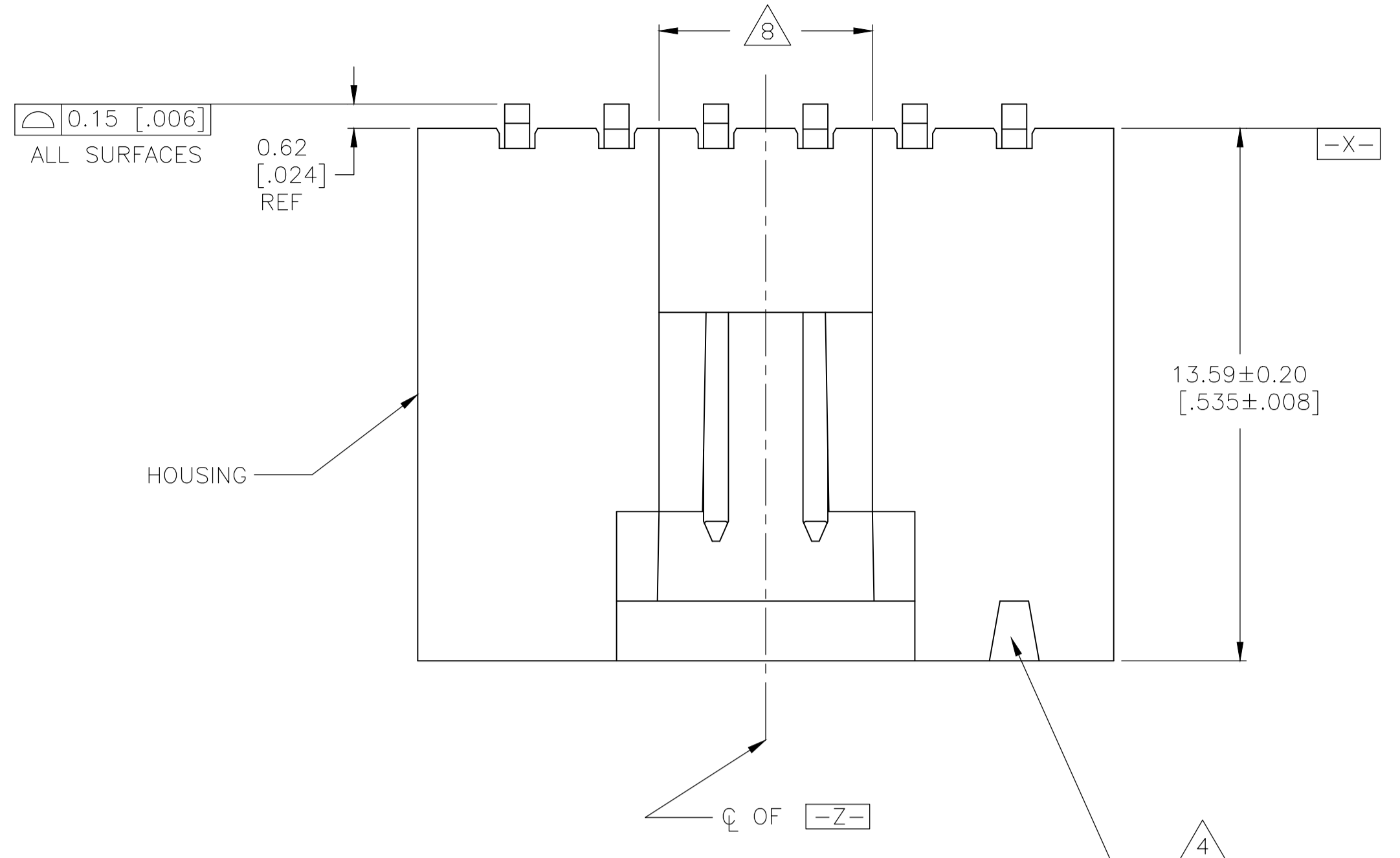
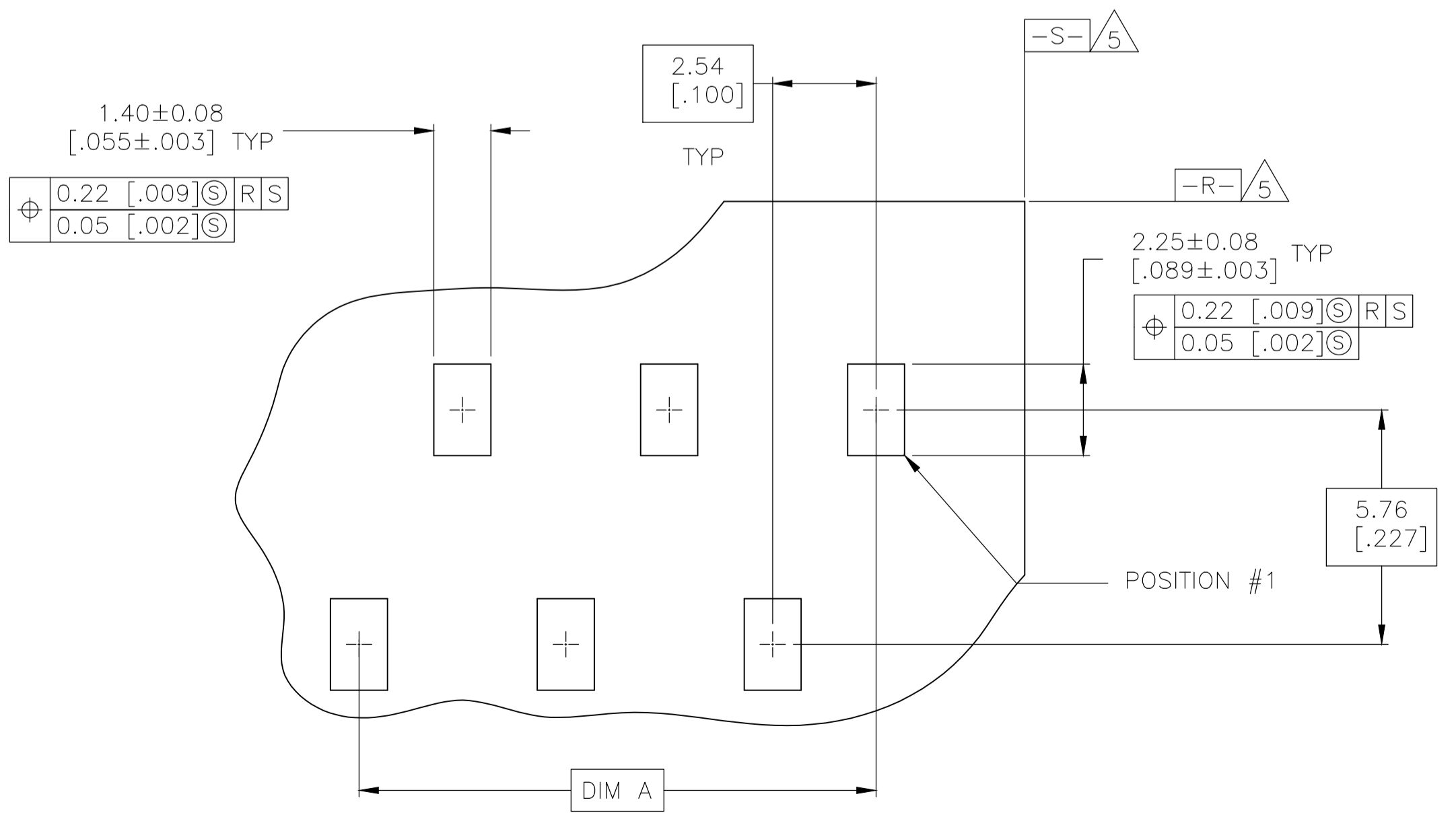
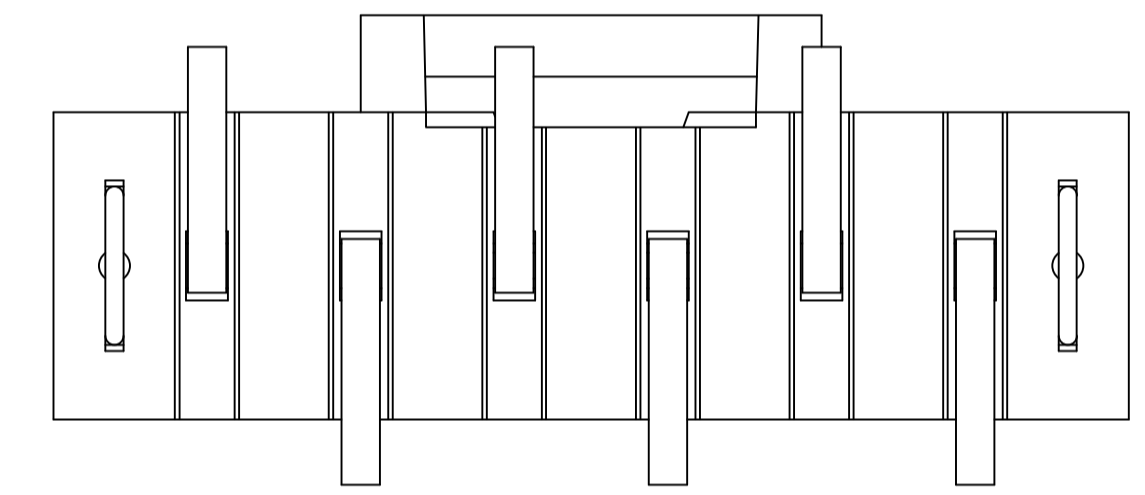
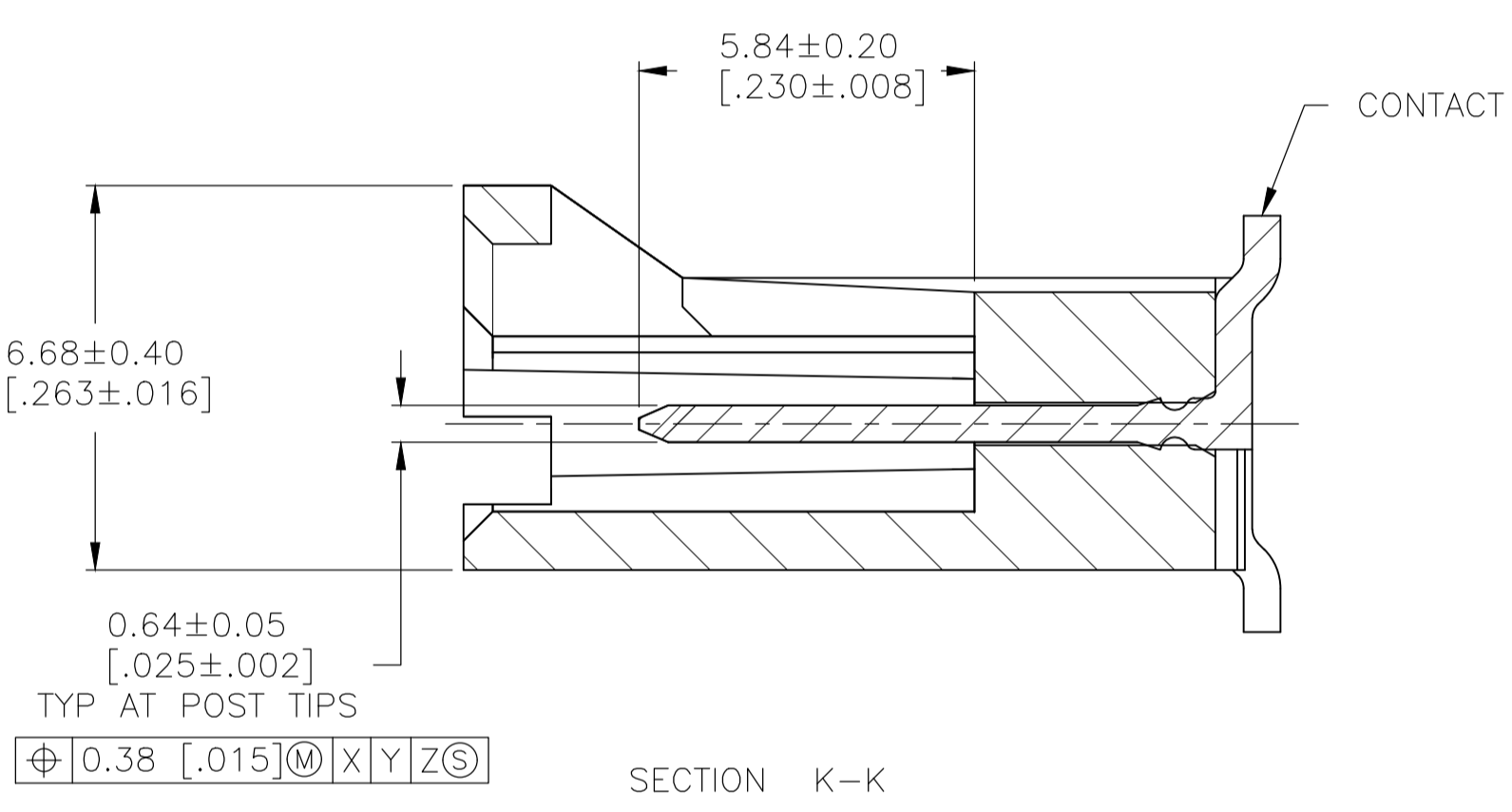
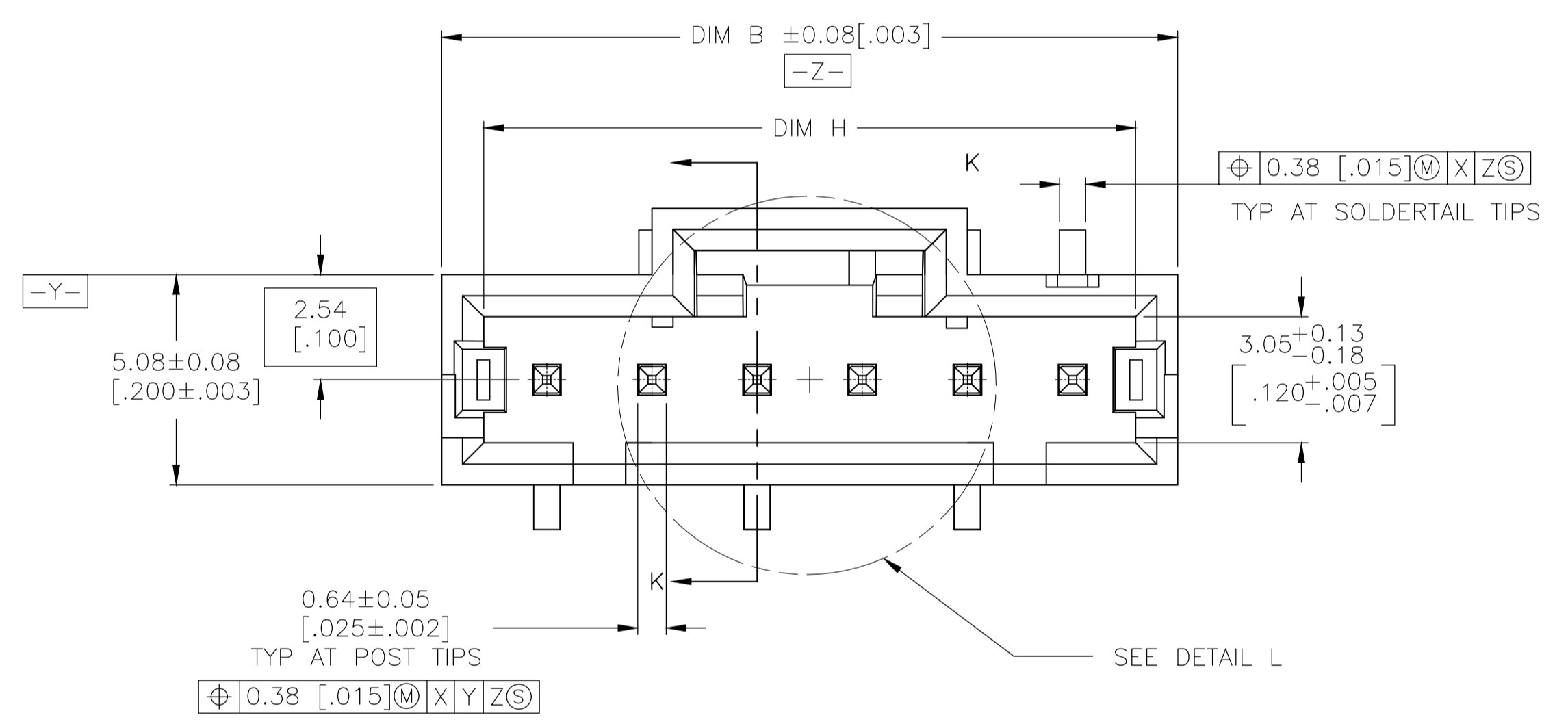


REVISIONS					
P	LTR	DESCRIPTION	DATE	DMN	APVD
C		REVISED PER ECO-20-001912	04JUN2020	SB	JO



1. PACKAGE: TUBES
2. MATERIAL: HOUSING- HIGH TEMPERATURE LCP, COLOR - BLACK, CONTACTS- BRASS
3. FINISH: CONTACTS: 0.00254[.0001] BRIGHT TIN-LEAD OVER 0.00127[.00005] NICKEL
4. CIRCUIT POSITION #1 IDENTIFICATION MARK
5. DATUMS ARE ESTABLISHED BY CUSTOMER
6. FINISH: CONTACTS: 0.00254[.0001] MATTE TIN OVER 0.00127[.00005] NICKEL
7. PRELIMINARY PART - NOT RELEASED FOR PRODUCTION
8. 0.25 [.010] RECESS PERMISSIBLE IN THIS AREA FOR MOLD SHUT OFF



REV	FINISH	POST NO. OMITTED	H	B	A	NO. OF POSN	PART NUMBER
6	19	51.31[2.020]	53.21[2.095]	48.26[1.900]	20	5-1825573-3	
6	17	48.77[1.920]	50.67[1.995]	45.72[1.800]	19	5-1825573-2	
3	19	51.31[2.020]	53.21[2.095]	48.26[1.900]	20	1825573-3	
3	17	48.77[1.920]	50.67[1.995]	45.72[1.800]	19	1825573-2	
3	10	28.45[1.120]	30.35[1.195]	24.50[1.000]	11	1825573-1	

THIS DRAWING IS A CONTROLLED DOCUMENT.

DIMENSIONS: mm [INCHES]	TOLERANCES UNLESS OTHERWISE SPECIFIED:	DIN R BROWN 06MAR2006	APVD J GEFSEFORD 06MAR2006	NAME
0. PLC ± -	1. PLC ± -	2. PLC ± 0.13 [0.005]	3. PLC ± -	4. PLC ± -
MATERIAL		FINISH		SEE TABLE

APPROVED: J. GEFSEFORD, DATE: 06MAR2006

PRODUCT SPEC: 108-25034-2

APPLICATION SPEC: 114-25026

SIZE: A1, CASE CODE: 00779, DRAWING NO: 1825573

RESTRICTED TO: CUSTOMER DRAWING, SCALE: 8:1, SHEET: 1 OF 1, REV: C

单击下面可查看定价，库存，交付和生命周期等信息

[>>TE Connectivity\(泰科\)](#)