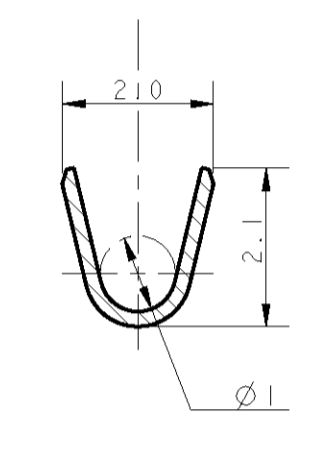
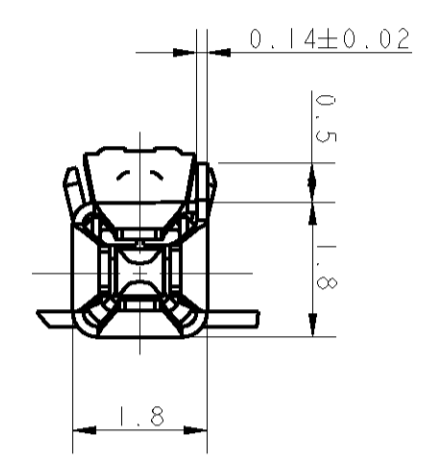
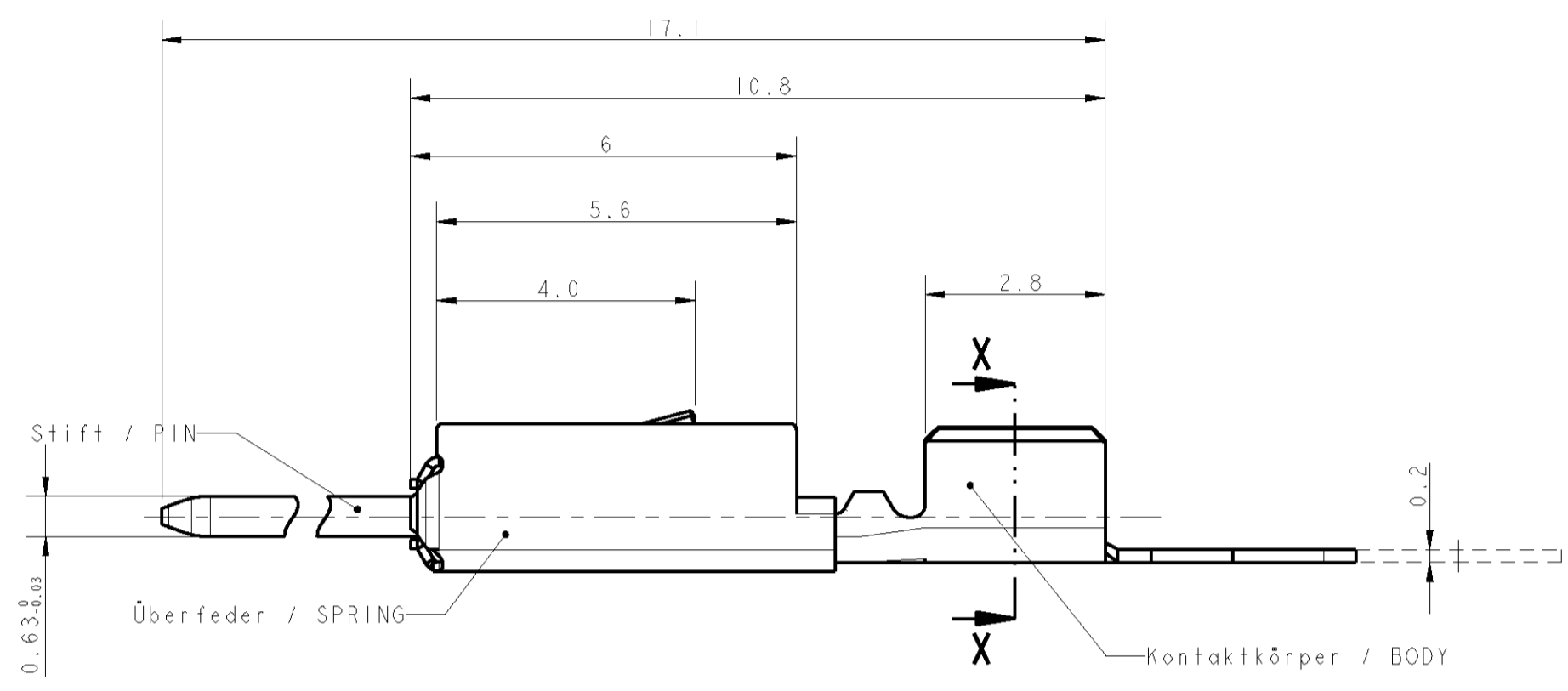
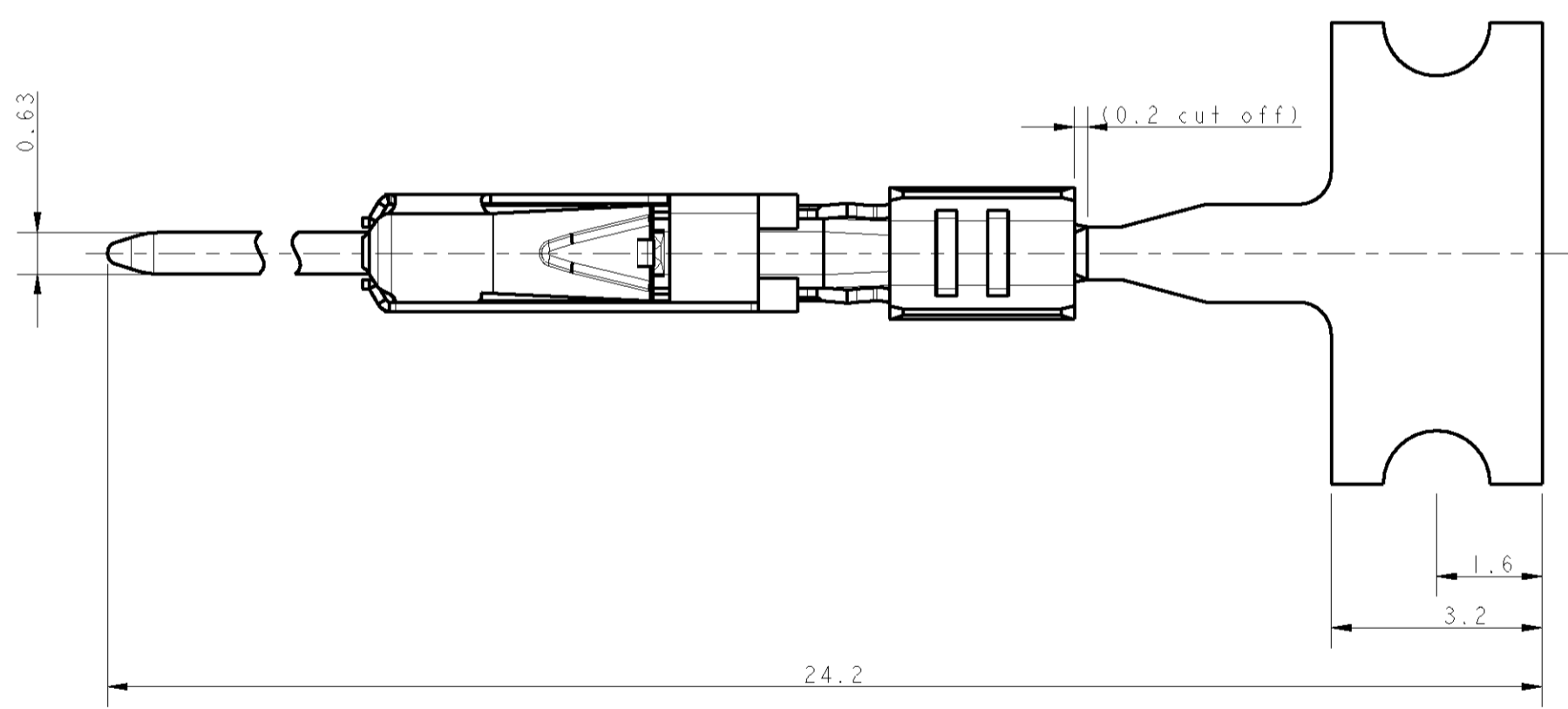


THIS DRAWING IS UNPUBLISHED. RELEASED FOR PUBLICATION
 © COPYRIGHT copyright_date BY TYCO ELECTRONICS CORPORATION. ALL RIGHTS RESERVED.

LOC	DIST	REVISIONS			
P	LTR	DESCRIPTION	DATE	DWN	APVD
B		add PN -7 -8	15MAY2007	SRE	SKA
BI		TYCO ELECTRONICS SYMBOL CORRECTED	07SEP2007	Bα	SKA

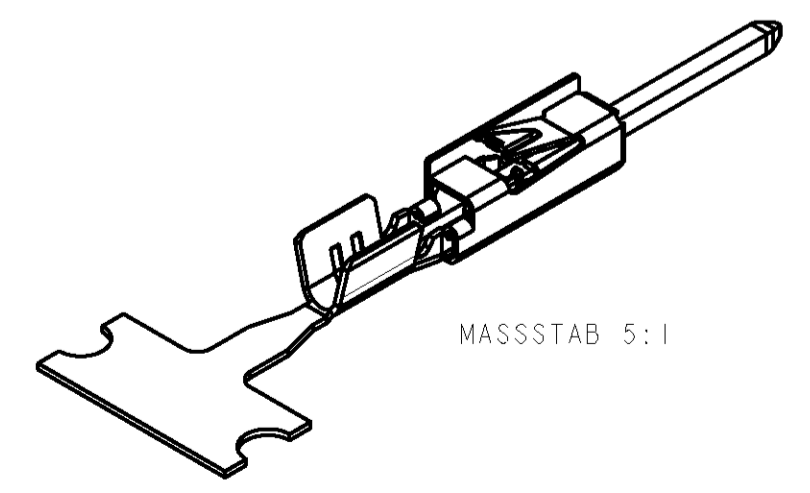


SECTION X-X



Bemerkungen
NOTES

1. Passend zu Buchenkontakt siehe Zeichnung:AMP:1740336
SUITABLE FOR SOCKET CONTACT, SEE DRAWING:
2. Kontakt geeignet für Drahtgrößenbereich 0.5...0.75mm²
CONTACT ACCEPTS WIRE-SIZE 0.5...0.75mm²
3. Halbautomatisches Werkzeug und Handzange
(je für 2 crimps in einem Durchgang) verfügbar
SEMI-AUTOMATIC TOOL AND HANDTOOL
(EACH FOR 2 CRIMPS IN ONE CYCLE) AVAILABLE:
4. Abmantellänge für crimp ist 3,5 mm
STRIPPED CABLE LENGTH FOR CRIMP IS 3.5mm
5. Gewicht ca. 0,12g
WEIGHT ABOUT 0.12g
6. Werkzeugvorschub 7,0 mm
DIE FEED 7,0 mm
7. Aufgerollt auf Kartonspule
REELED ON PAPER-REEL



9	1740335-8	1740335-7	A	WITH SPRING	3	SPRING	X10CrNi 18 8
					2	PIN	CuNi3Si / Gold
					1	BODY	CuNiSi
9	1740335-6	1740335-4	A	WITH SPRING	3	SPRING	X10CrNi 18 8
					2	PIN	CuNi3Si / Tin
					1	BODY	CuNiSi
9	1740335-3	1740335-1	B	WITH SPRING	3	SPRING	X10CrNi 18 8
					2	PIN	CuNi3Si / BLANK
					1	BODY	CuNiSi

DIRECTION OFF TOP OF REEL	Fertig-zustand	 107-3(Fig.1) (M 1:1)	THIS DRAWING IS A CONTROLLED DOCUMENT FOR TYCO ELECTRONICS CORPORATION IT IS SUBJECT TO CHANGE AND THE CONTROLLING ENGINEERING ORGANIZATION SHOULD BE CONTACTED FOR THE LATEST REVISION		DWN PRAVEEN 24 APR 06	 Tyco Electronics AMP GmbH 64625 Bensheim (Germany)
			DIMENSIONS: mm	TOLERANCES UNLESS OTHERWISE SPECIFIED:	CHK S. SKADE 24 APR 06	
MATERIAL	SEE TABLE		APVD T. GERLACH 24 APR 06	PRODUCT SPEC		SIZE
			APPLICATION SPEC			CAGE CODE
			WEIGHT			DRAWING NO
						RESTRICTED TO
						SCALE
						SHEET
						OF
						REV
						BI

单击下面可查看定价，库存，交付和生命周期等信息

[>>TE Connectivity\(泰科\)](#)