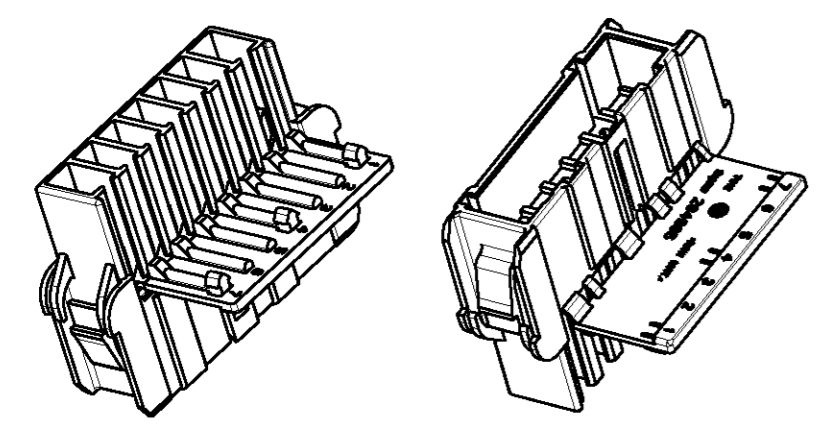
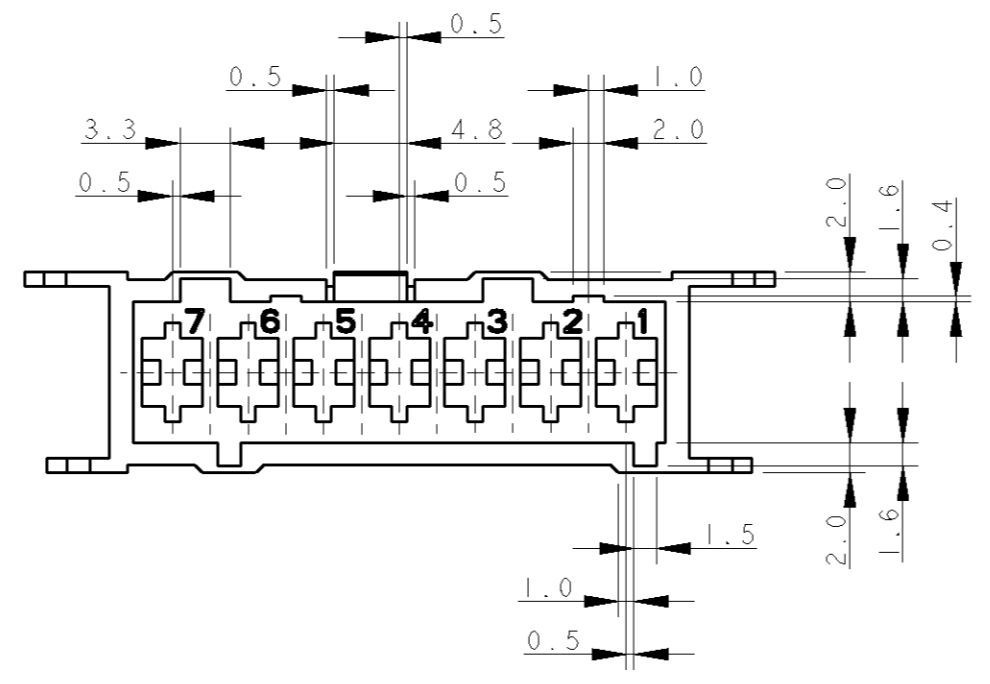


POLARIZATION KEYS SCHEME

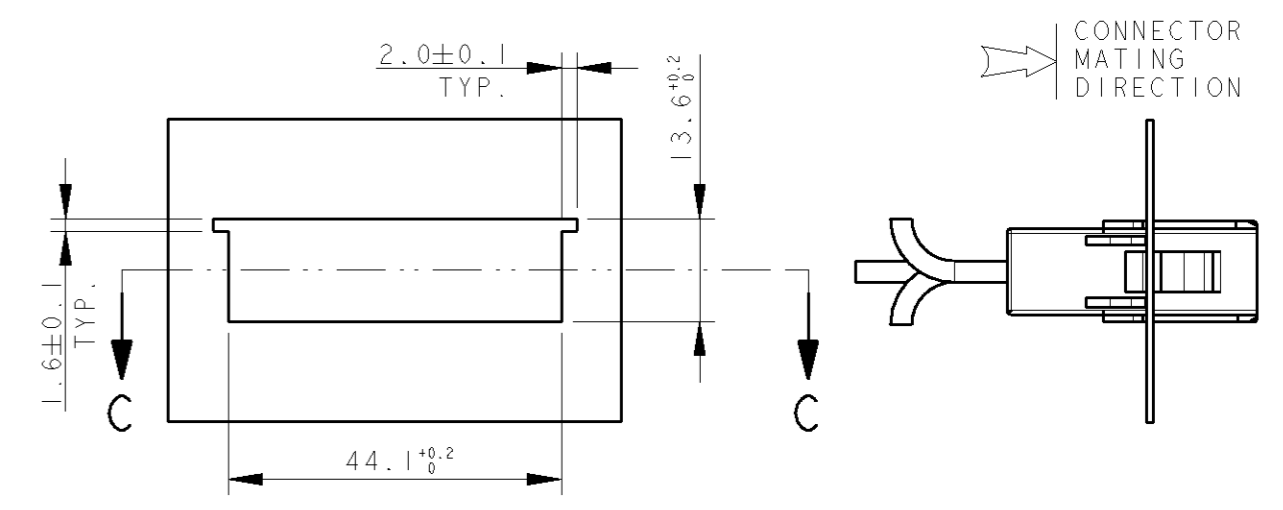
LOC	DIST	REVISIONS			
P	LTR	DESCRIPTION	DATE	DWN	APVD
A3		UPDATED, ET00-0132-04	21 JUN 2004	H. Y.	C. T.
A4		RELEASED, ET00-0029-04	29 SEP 2004	H. Y.	G. T.
A5		UPDATED, ET00-0012-05	12 JAN 2005	H. Y.	G. T.
B		ALIGN REV TO PROD. DWG, ECR-05-002336	27 APR 2005	H. Y.	G. T.



SCALE 1:1

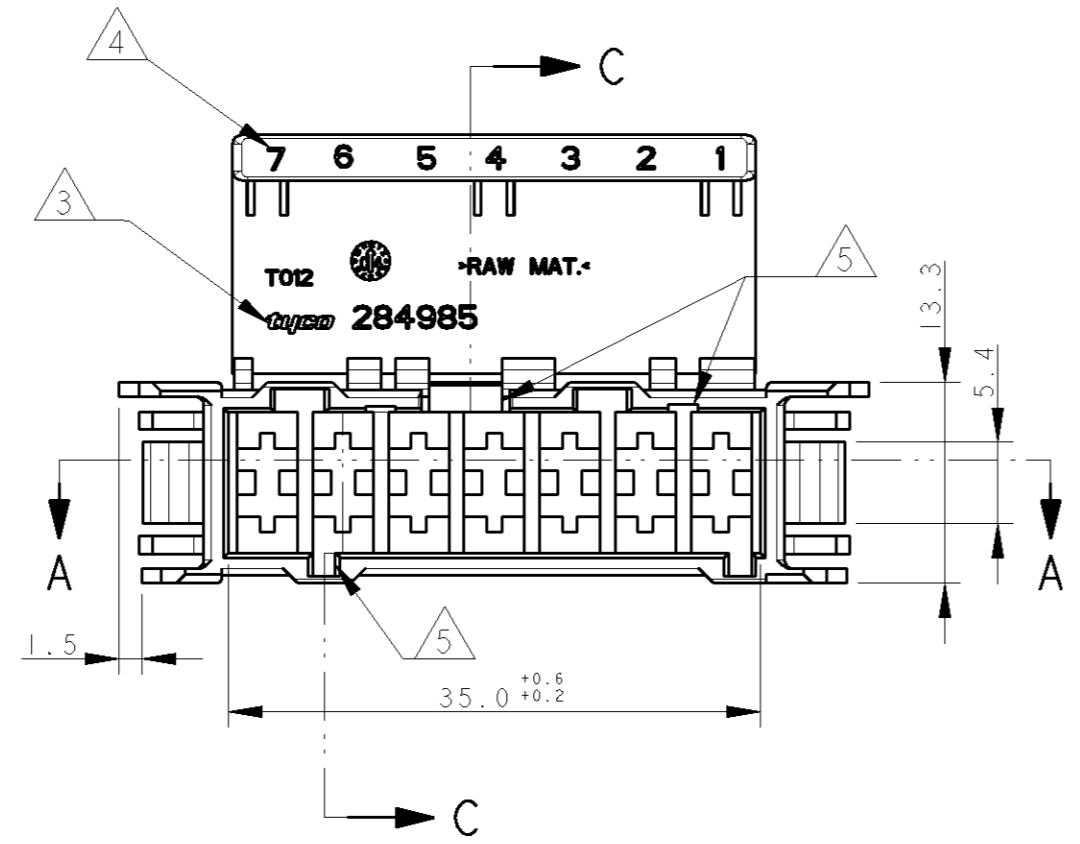


PANEL MOUNT DIMENSIONS
SCALE 1:1

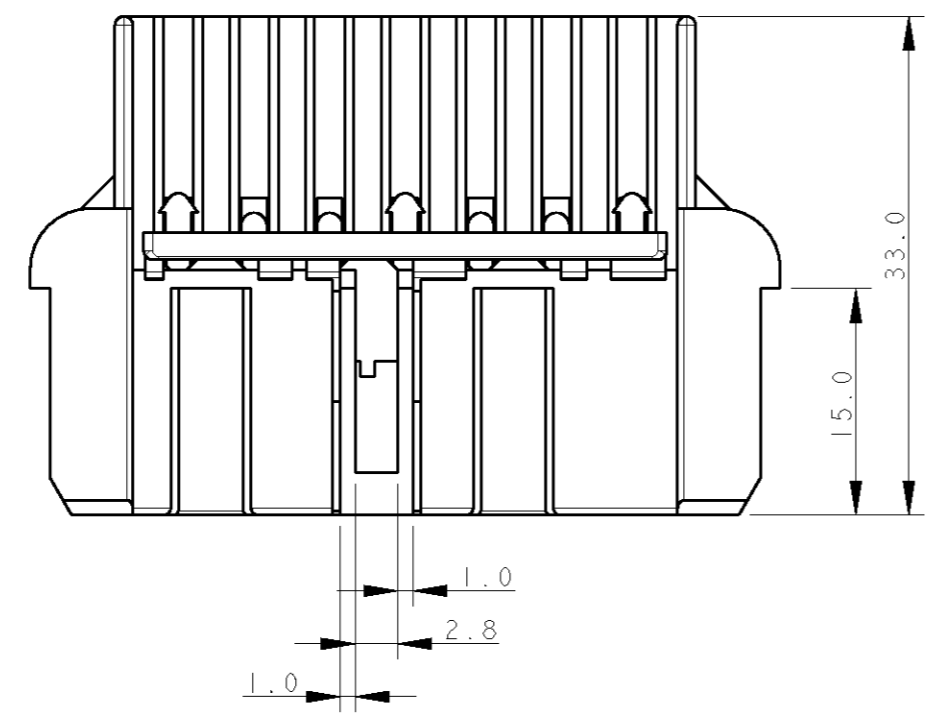
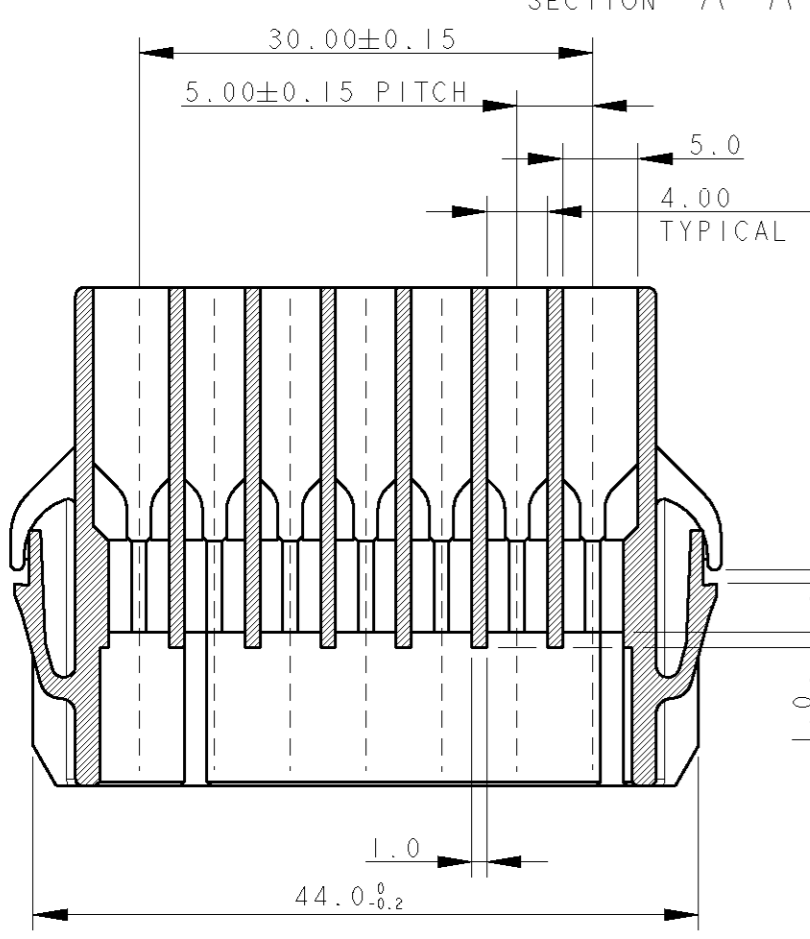


CONNECTOR MATING DIRECTION

SECTION C-C



SECTION A-A



SECTION C-C

- 1 TYPICAL CAVITY SUITABLE FOR:
FASTIN-FASTON TAB CONTACTS 6.3 mm SRS:
P/N: 60294, 0.3-0.8 mm² WIRE RANGE
160691, 0.3-0.8 mm² WIRE RANGE
AMPLIVAR CONTACTS:
P/N: 141051, 0.1-0.5 mm² WIRE RANGE
142411, 0.3-1.6 mm² WIRE RANGE
MAX. INSULATION DIA. 2.8 mm.
MAX. INSULATION CRIMP WIDTH 3.3 mm.
- 2 PA6 UNFILLED, NATURE COLOUR
ACCORDING TO IEC 60335-1 NORM.
- 3 TYCO TRADEMARK "LOGO" AND
TYCO ELECTRONICS "PART NUMBER"
OPTIONAL POSITION.
- 4 CIRCUIT IDENTIFICATION NUMBERS, 1 TO 7
- 5 POLARIZATION KEYS DIMENSIONS AND POSITIONS
ARE ACCORDING TO "RAST 5" NORM
RAST CODE 07-A/S
- 6 PACKAGED ACCORDING TO TYCO SPEC. 107-20248.

NATURALE (NATUR)	VEDI NOTA 2 (SEE NOTE 2)	284985-1	B
COLORE (COLOUR)	MATERIALE (MATERIAL)	NUMERO (TYCO P/N)	REV

THIS DRAWING IS A CONTROLLED DOCUMENT FOR TYCO ELECTRONICS CORPORATION IT IS SUBJECT TO CHANGE AND THE CONTROLLING ENGINEERING ORGANIZATION SHOULD BE CONTACTED FOR THE LATEST REVISION.		DWN H. YAALI	07 APRILE 2004	tyco Electronics AMP Italia S.p.A. C.so F. Cervi, 15 COLLEGGNO (TO)
DIMENSIONS: mm		CHK C. TARTARI	-	
TOLERANCES UNLESS OTHERWISE SPECIFIED: 0 PLC ± 1 PLC ±0.3 2 PLC ± 3 PLC ± 4 PLC ± ANGLES ±° FINISH		APVD -	-	
MATERIAL SEE TABLE		PRODUCT SPEC 108-20256	APPLICATION SPEC -	
		WEIGHT 9.0 GR	A2	NAME 7 POS. FASTIN-FASTON Connector TAB HOUSING, RAST 5 0.8-1.0 MM THK. PANEL MOUNT VERSION
		CUSTOMER DRAWING	SCALE 2:1	SIZE A2
				CAGE CODE 00779
				DRAWING NO 284985
				RESTRICTED TO -
				SHEET 1 OF 1
				REV B

单击下面可查看定价，库存，交付和生命周期等信息

[>>TE Connectivity\(泰科\)](#)