

THIS DRAWING IS UNPUBLISHED.

RELEASED FOR PUBLICATION OCT. 2016.

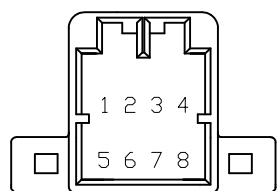
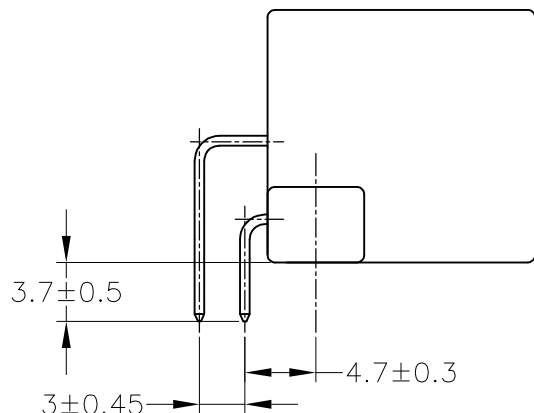
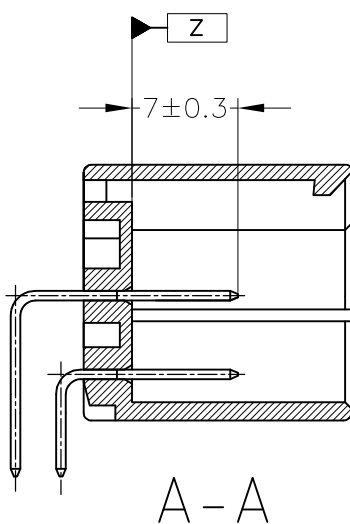
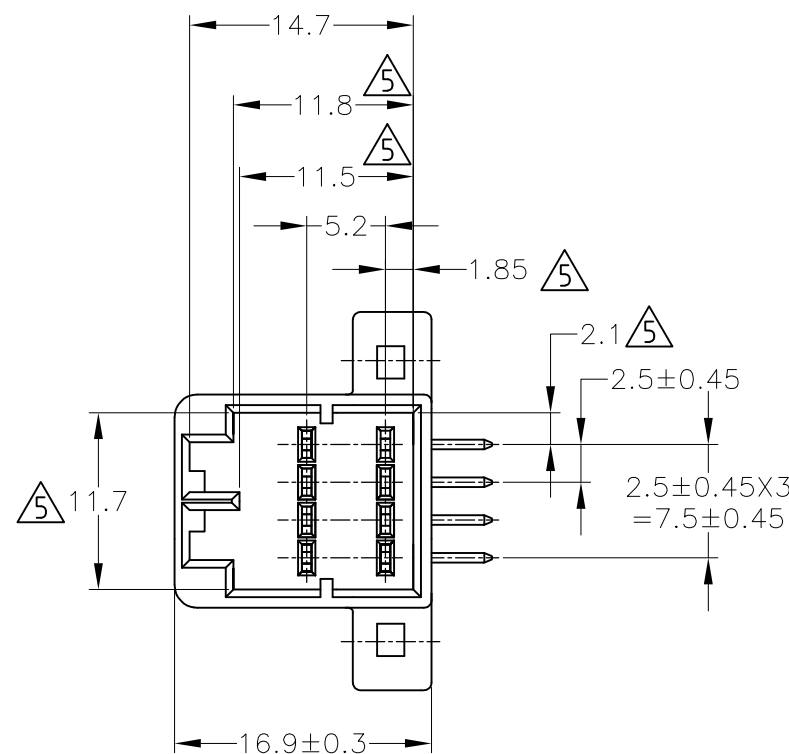
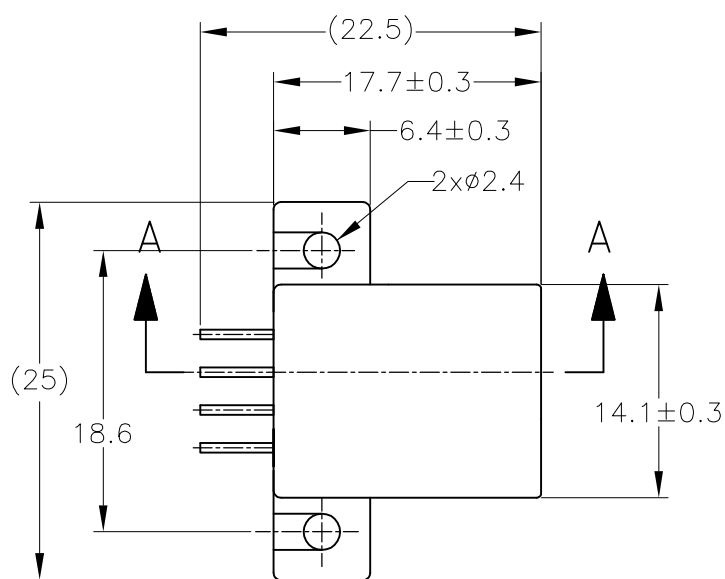
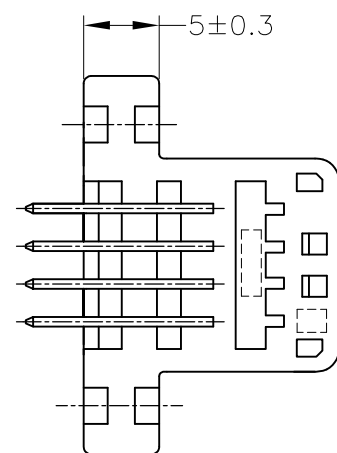
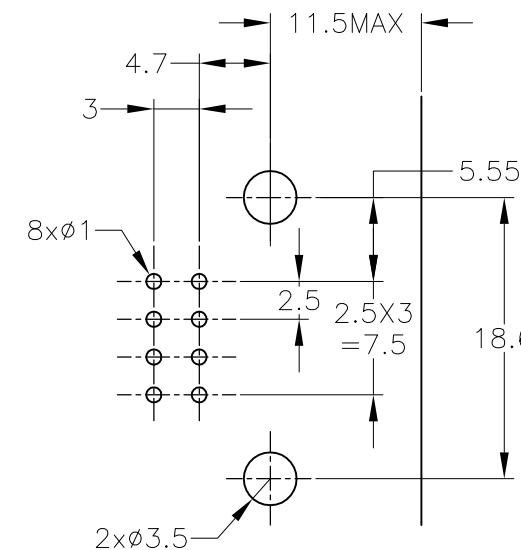
© COPYRIGHT 2016 Tyco Electronics Japan G.K.

ALL RIGHTS RESERVED.

REVISIONS

P	LTR	DESCRIPTION	DATE	DWN	APVD
	D8	REVISED	14OCT2016	KF	HY

プリント基板取付け寸法  
(MOUNTING DIMENSION FOR P.C.BOARD)  
(公差は累積しないこと)  
(NON ACCUMULATE TOLERANCE)  
(公差±0.1)  
(TOLERANCE ±0.1)



TOLERANCE UNLESS OTHERWISE SPECIFIED: 一般公差

0 < x ≤ 10	: ±0.2
10 < x ≤ 30	: ±0.25
30 < x ≤ 100	: ±0.3
ANGLE ; 角度	: ±3°

PRE-TIN X 5				
SELECTIVE-TIN (MATTE)	SELECTIVE-GOLD X 3	4, 7, 8	BLACK 黒色	5175973-3
SELECTIVE-TIN (MATTE)	SELECTIVE-GOLD X 8	1~8	BLACK 黒色	1-5175973-2
SELECTIVE-TIN (MATTE)	SELECTIVE-TIN (BRIGHT)	— / —	BLACK 黒色	175973-4
PRE-TIN X 5				
TIN-LEAD	SELECTIVE-GOLD X 3	4, 7, 8	BLACK 黒色	175973-3
PRE-TIN		— / —	BLACK 黒色	175973-2
PRE-TIN		— / —	GRAY 灰色	175973-1
半田付け部 SOLDERING SIDE	接触部側 CONTACT SIDE		CIRCUIT NO OF GOLD PLATED CONTACT 金メッキ端子使用回路番号	HOUSING COLOR ハウジング色
FINISH OF CONTACT コンタクト仕上げ				PN 型番

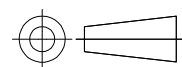
- 適用プリント基板厚;1.6mm
  - 推奨取付ネジ; JIS B1115, B1122 タッピングネジ  
ナベ2種呼び径3, 長さ6mm以上 (締付トルク; 0.392N・m 以下)
  - 嵌合相手ハウジング; 175964
  - 適用製品規格番号; 108-5281
- △ Z 面より2mmの範囲で測定  
△ 回路番号; 右図参照

- APPLICABLE P.C.B BOARD THICKNESS; 1.6mm
  - RECOMMENDED MOUNTING SCREW 3mm DIA 6mm LENGTH (MIN)  
TAPPING SCREW SPECIFIED IN JIS B1115, B1122  
(TIGHTENING TORQUE; 0.392N・m MAX)
  - THE MATING PLUG HSG. PART NUMBER; 175964
  - APPLICABLE PRODUCT SPEC NO.; 108-5281
- △ TO BE MEASURED WITHIN 2mm FROM Z  
△ CIRCUIT NUMBER

THIS DRAWING IS A CONTROLLED DOCUMENT.

DIMENSIONS: 単位: 耗 mm

TOLERANCES UNLESS OTHERWISE SPECIFIED: 一般公差



- 0 PLC ± -
- 1 PLC ± -
- 2 PLC ± -
- 3 PLC ± -
- 4 PLC ± -
- ANGLES ± -

MATERIAL 材料 HSG: PBT CONT: BRASS

FINISH 仕上 SEE TABLE

DWN T.SHINOHARA 12FEB02  
CHK A.YAMAGUCHI 12FEB02  
APVD K.BETSUI 12FEB02  
PRODUCT SPEC 製品規格  
APPLICATION SPEC 取付適用規格  
WEIGHT 3.25 g



040 SERIES MULTI-LOCK I/O CONN MK-II  
8POSITION CAP HOUSING ASSEMBLY

SIZE A3 CAGE CODE 00779 DRAWING NO. 175973 RESTRICTED TO

CUSTOMER DRAWING

SCALE 2:1 SHEET 1 OF 1 REV D8

单击下面可查看定价，库存，交付和生命周期等信息

[>>TE Connectivity\(泰科\)](#)