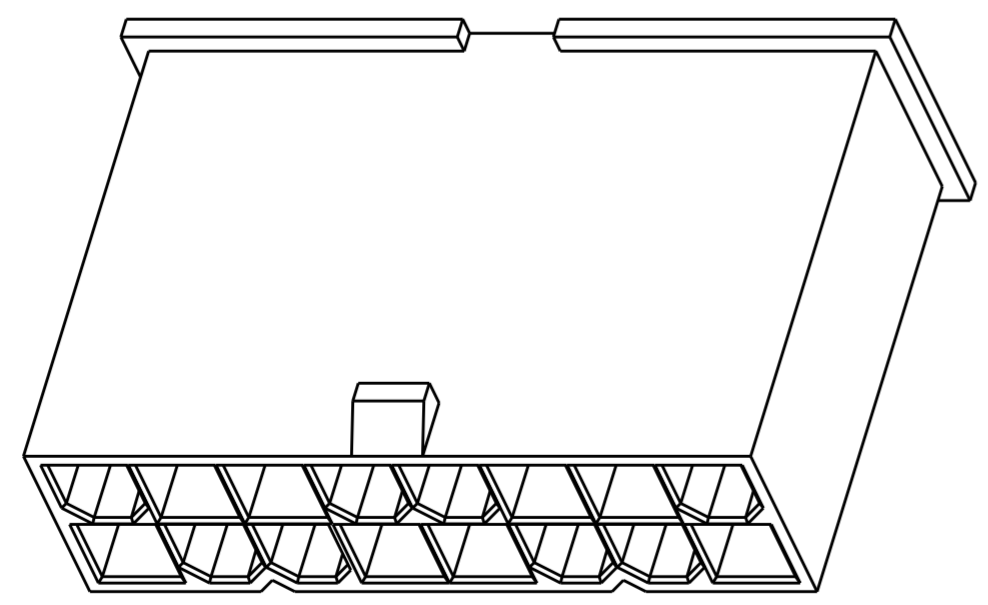
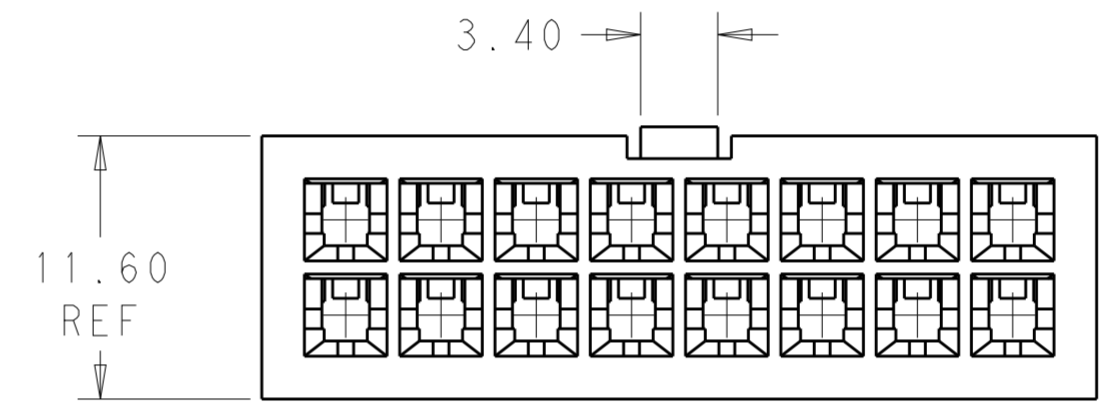
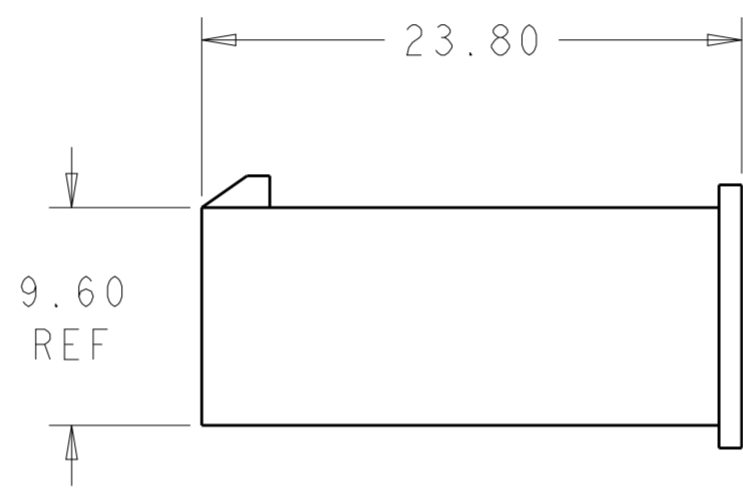
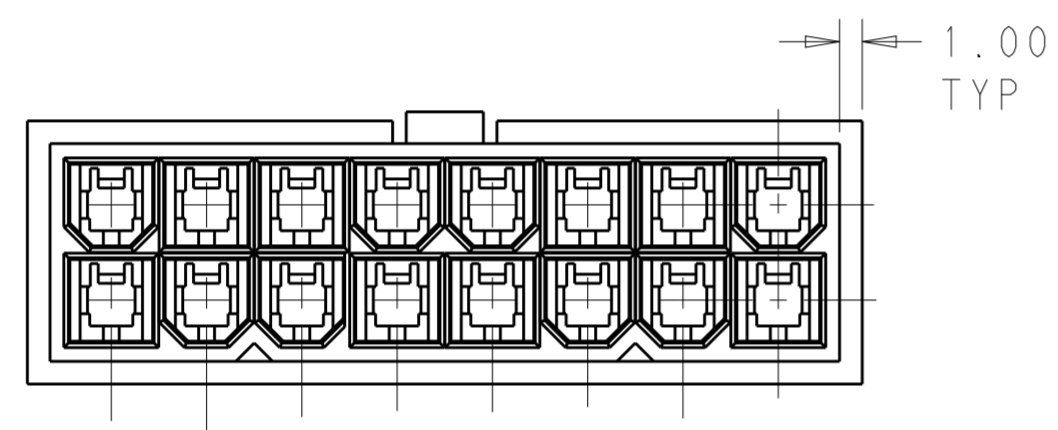
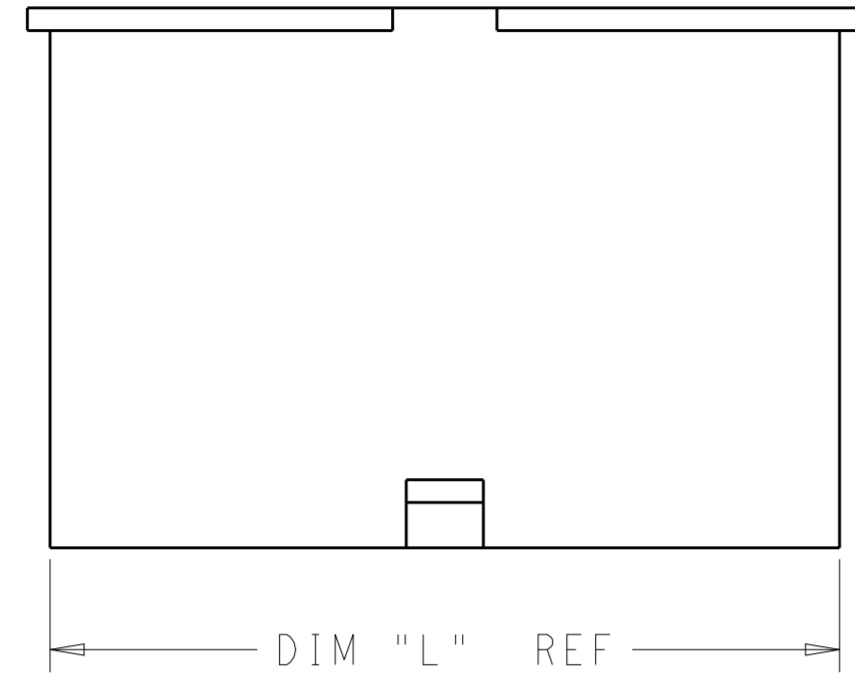


THIS DRAWING IS UNPUBLISHED. RELEASED FOR PUBLICATION 20
 © COPYRIGHT 20 BY - ALL RIGHTS RESERVED.

LOC	DIST	REVISIONS			
P	LTR	DESCRIPTION	DATE	DWN	APVD
AF	-	A	REVISED PER ECR-13-018775	11DEC2013	KH KR



51.60	24	2-1969612-4
47.40	22	2-1969612-2
43.20	20	2-1969612-0
39.00	18	1-1969612-8
34.80	16	1-1969612-6
30.60	14	1-1969612-4
26.40	12	1-1969612-2
22.20	10	1-1969612-0
18.00	8	1969612-8
13.80	6	1969612-6
9.60	4	1969612-4
5.40	2	1969612-2
DIM L	NO. OF POS	PART NO.

THIS DRAWING IS A CONTROLLED DOCUMENT.		DWN	JR RUTH	18JAN13	TE Connectivity	
DIMENSIONS:		CHK	KURT RANDOLPH	18JAN13		
TOLERANCES UNLESS OTHERWISE SPECIFIED:		APVD	KURT RANDOLPH	18JAN13		
mm		PRODUCT SPEC				
0 PLC ± 1 PLC ± 2 PLC ±0.25 3 PLC ± 4 PLC ± ANGLES ± FINISH		APPLICATION SPEC			NAME	PLUG HOUSING VAL-U-LOK
MATERIAL	NYLON 6/6, V0	WEIGHT			SIZE	A200779
COLOR-NATURAL		Customer Drawing	SCALE	3:1	DRAWING NO	C-1969612
			SHEET	1	OF	1
			REV	A		

单击下面可查看定价，库存，交付和生命周期等信息

[>>TE Connectivity\(泰科\)](#)