

THIS DRAWING IS UNPUBLISHED. RELEASED FOR PUBLICATION 20
 © COPYRIGHT 20 BY TYCO ELECTRONICS CORPORATION. ALL RIGHTS RESERVED.

LOC		DIST		REVISIONS			
P	LTR	DESCRIPTION	DATE	DWN	APVD		
	A	RELEASE TO ACTIVE	06JUN2006	BB	SM		
	AI	ADD NOTE 4	11MAY2009	KG	SB		

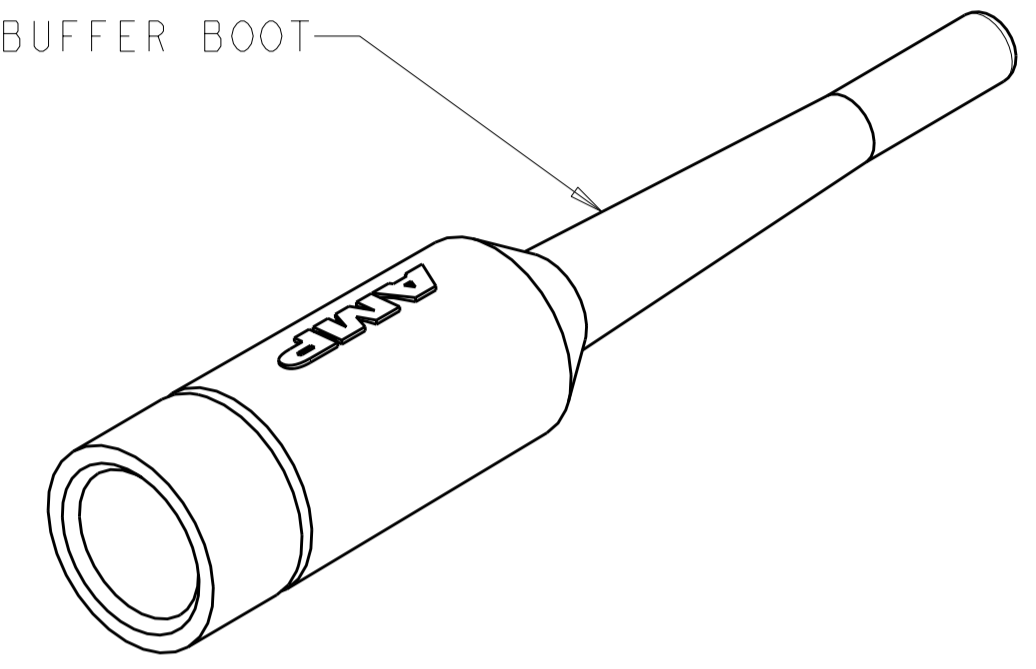
1 MATERIAL:
 PROTECTIVE COVER: LDPE, BLACK, NON-FR.
 CONNECTOR HOUSING: PBT-GF17, COLOR: BLUE.*
 CONNECTOR SUBASSEMBLY:
 PLUG BODY: PES-GF20, COLOR: BEIGE.*
 FERRULE ASSEMBLY: CERAMIC/PBT-GF17, COLOR: BLUE.*
 EPOXY-FILL TUBING: PVC, COLOR: CLEAR, UL VW-1 RATED.
 SPRING: STAINLESS STEEL.
 RETAINER BODY: PES-GF20, COLOR: BEIGE.*
 BOOT: TPE, COLOR: SEE TABLE.*
 *UL94 V-0 RATED AT QUALIFYING THICKNESS.

2 BULK PACKAGE.

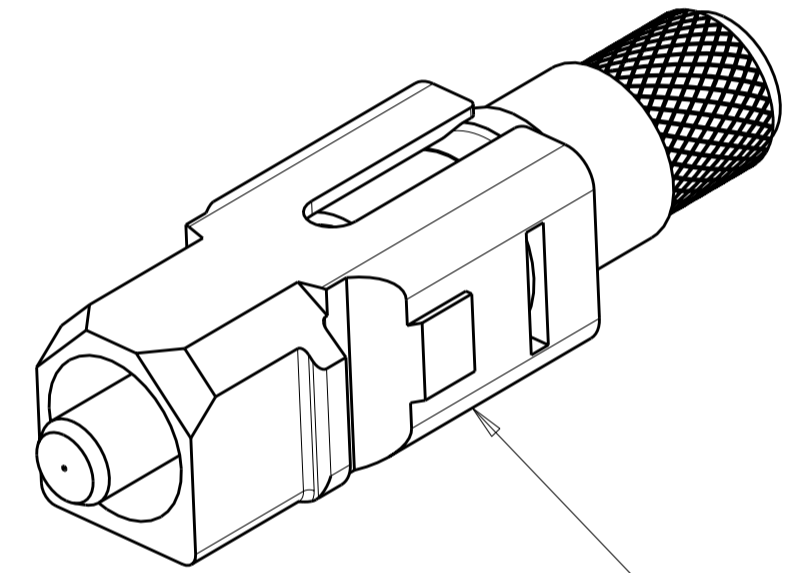
3 BUFFER BOOT NOT INCLUDED.

4. INSTRUCTION SHEET 408-8674 AVAILABLE FOR DOWNLOAD AT
www.tycoelectronics.com/documents OR
www.ampnetconnect.com/foguide.

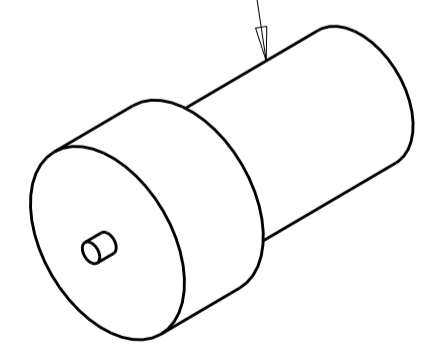
BARE BUFFER BOOT



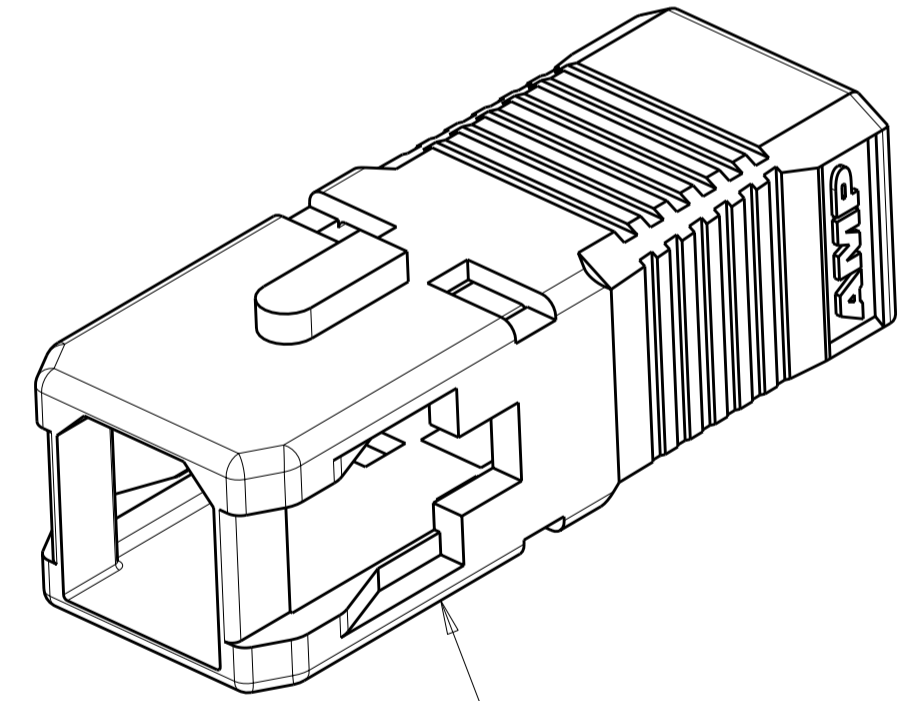
CONNECTOR SUBASSEMBLY



PROTECTIVE COVER



CONNECTOR HOUSING



3	2		5492123-7
		YELLOW	5492123-6
		YELLOW	5492123-5
		BLUE	5492123-2
		BLUE	5492123-1
		BUFFER BOOT COLOR	PART NUMBER

THIS DRAWING IS A CONTROLLED DOCUMENT FOR TYCO ELECTRONICS CORPORATION. IT IS SUBJECT TO CHANGE AND THE CONTROLLING ENGINEERING ORGANIZATION SHOULD BE CONTACTED FOR THE LATEST REVISION.		DWN B. BRIGGS 12DEC2005	Tyco Electronics Harrisburg, PA 17105-3608	
DIMENSIONS: mm		CHK S. MILLER 12DEC2005	NAME AMP SC, SINGLEMODE CONNECTOR KIT, 900um AND 3mm	
TOLERANCES UNLESS OTHERWISE SPECIFIED: 0 PLC ± 1 PLC ± 2 PLC ± 3 PLC ± 4 PLC ± ANGLES ± FINISH		APVD S. BUCHTER 12DEC2005	RESTRICTED TO	
MATERIAL		PRODUCT SPEC	SIZE	CAGE CODE
1		APPLICATION SPEC	A2	00779
		WEIGHT	DRAWING NO	5492123
		CUSTOMER DRAWING	SCALE	5:1
			SHEET	1 OF 1
			REV	AI

单击下面可查看定价，库存，交付和生命周期等信息

[>>TE Connectivity\(泰科\)](#)