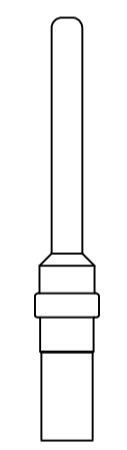
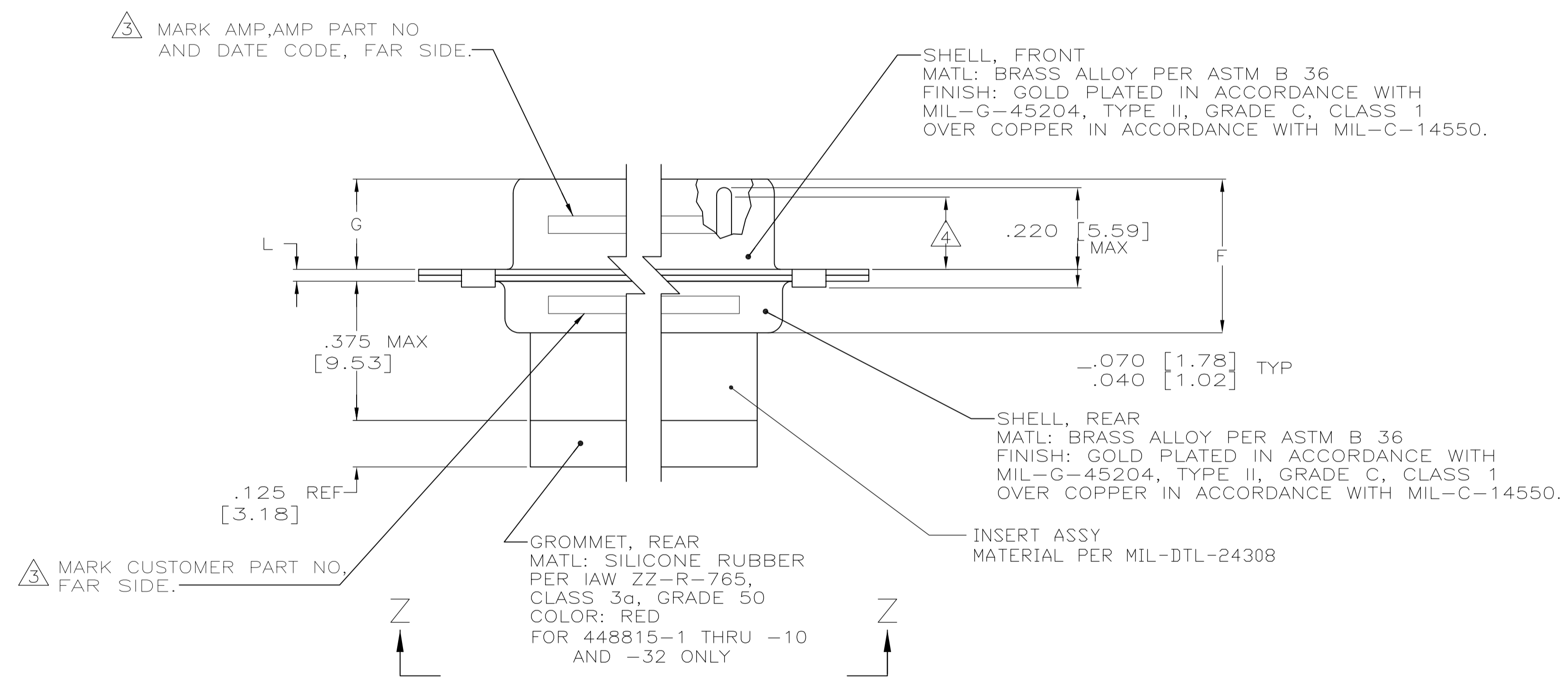
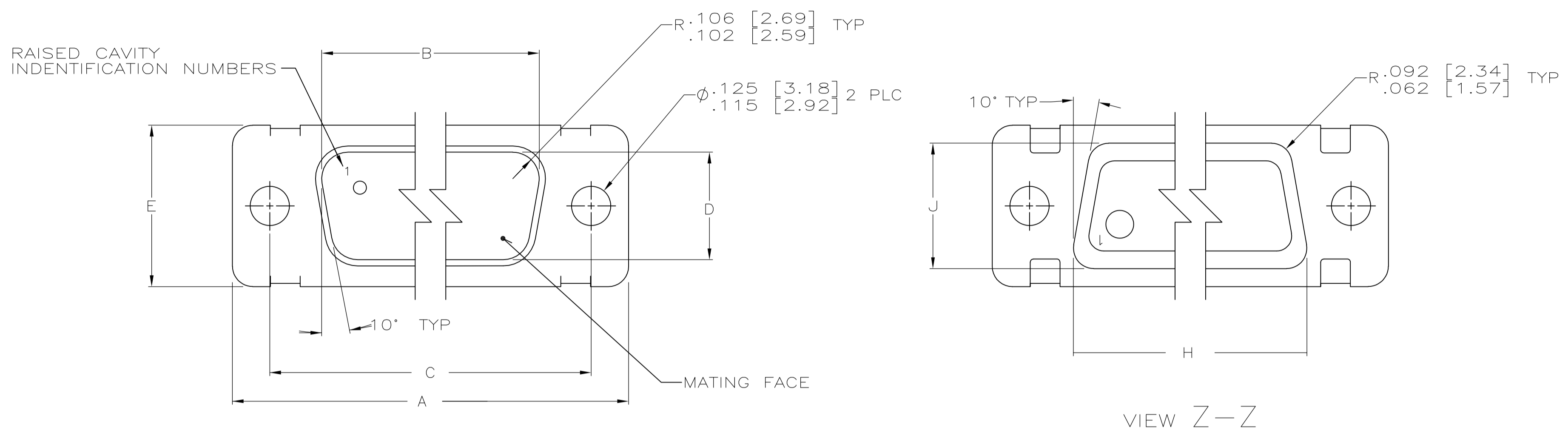


- THIS CONNECTOR ASSEMBLY IS SUPPLIED WITH METAL CONTACT RETENTION CLIPS INSTALLED IN THE INSERT ASSEMBLY.
- THIS CONNECTOR ASSEMBLY MEETS THE REQUIREMENTS OF LORAL SPEC 010772 AND MATES WITH ANY RECEPTACLE CONNECTOR WITH SAME INSERT ARRANGEMENT.
- MARK WITH .047 [1.19]-.062 [1.57] HIGH CHARACTERS. FAR SIDE REFERS TO THE WIDE SIDE OF THE KEYSTONE. NEAR SIDE REFERS TO THE NARROW SIDE OF THE KEYSTONE. IF THE REAR SHELL IS TOO SMALL FOR THE ENTIRE CUSTOMER PART NUMBER, MARKING SHALL BE LOCATED AS FOLLOWS:
  - "B010772" ON FRONT SHELL, FAR SIDE.
  - CUSTOMER BASE NUMBER ON FRONT SHELL, NEAR SIDE.
  - "AMP" AND DATE CODE ON FRONT SHELL, NEAR SIDE.
  - AMP PART NUMBER ON REAR SHELL, NEAR SIDE.
- DIMENSIONS ARE .155 [3.94] MINIMUM FULL PIN DIAMETER EXTENSION (SIZES 3 THRU 6) AND .164 [4.17] MINIMUM FULL PIN DIAMETER EXTENTION (SIZES 1 AND 2).
- MAXIMUM WIRE INSULATION TO BE USED WITH THIS CONNECTOR ASSEMBLY IS .072 [1.83] DIAMETER.
- FOR CONTACT CRIMPING INSTRUCTION SHEET REFER TO AMP IS 7516. FOR CONTACT INSTALLATION AND REMOVAL INSTRUCTION SHEET REFER TO AMP IS 7508.
- DIMENSIONS AND TOLERANCES PER ANSI Y14.5M-1982.
- THIS DRAWING SHALL BE INTERPRETED IN ACCORDANCE WITH APPLICABLE STANDARDS LISTED IN MIL-STD-100.

|   |                            |                              |   |                            |                              |                              |                              |                                |                                |                                |           |    |   |              |            |            |
|---|----------------------------|------------------------------|---|----------------------------|------------------------------|------------------------------|------------------------------|--------------------------------|--------------------------------|--------------------------------|-----------|----|---|--------------|------------|------------|
| PRELIMINARY - NOT RELEASED FOR PRODUCTION | .040 [1.02]<br>.020 [0.51] | .432 [10.97]<br>.412 [10.46] | 1.093 [27.76]<br>1.073 [27.25]                  | .241 [6.12]<br>.229 [5.82] | .432 [10.97]<br>.412 [10.46] | .509 [12.93]<br>.479 [12.17] | .334 [8.48]<br>.324 [8.23]   | 1.317 [33.45]<br>1.307 [33.20] | .999 [25.37]<br>.989 [25.12]   | 1.556 [39.52]<br>1.526 [38.76] | MS18274-1 | 15 | 2 | B010772-0044 | 3-448815-2 | 3-448815-2 |
| PRELIMINARY - NOT RELEASED FOR PRODUCTION | .049 [1.24]<br>.029 [0.74] | .544 [13.82]<br>.524 [13.31] | 2.188 [55.58]<br>2.168 [55.07]                  | .236 [5.99]<br>.224 [5.69] | .436 [11.07]<br>.416 [10.57] | .620 [15.75]<br>.590 [14.99] | .441 [11.20]<br>.431 [10.95] | 2.411 [61.24]<br>2.401 [60.99] | 2.084 [52.93]<br>2.074 [52.68] | 2.650 [67.31]<br>2.620 [66.55] | MS18277-1 | 50 | 5 | B010772-0031 | 1-448815-5 | 1-448815-5 |
|   |                            |                              | 1.635 [41.53]<br>2.282 [57.96]<br>2.262 [57.45] |                            |                              |                              |                              | 2.505 [63.63]<br>2.495 [63.37] | 2.187 [55.55]<br>2.177 [55.30] | 2.744 [69.70]<br>2.714 [68.94] | MS18276-1 | 37 | 4 | B010772-0029 | 1-448815-4 | 1-448815-4 |
|   |                            | .432 [10.97]<br>.412 [10.46] | 1.093 [27.76]<br>1.615 [41.02]                  |                            |                              | .509 [12.93]<br>.479 [12.17] | .334 [8.48]<br>.324 [8.23]   | 1.857 [47.17]<br>1.847 [46.91] | 1.539 [39.09]<br>1.529 [38.84] | 2.103 [53.42]<br>2.073 [52.65] | MS18275-1 | 25 | 3 | B010772-0027 | 1-448815-3 | 1-448815-3 |
|   | .040 [1.02]<br>.020 [0.51] |                              | 1.073 [27.25]<br>.769 [19.53]<br>.749 [19.02]   | .241 [6.12]<br>.229 [5.82] | .432 [10.97]<br>.412 [10.46] |                              |                              | 1.317 [33.45]<br>1.307 [33.20] | .999 [25.37]<br>.989 [25.12]   | 1.556 [39.52]<br>1.526 [38.76] | MS18274-1 | 15 | 2 | B010772-0025 | 1-448815-2 | 1-448815-2 |
|   |                            | .544 [13.82]<br>.524 [13.31] | 2.188 [55.58]<br>2.168 [55.07]                  |                            |                              | .620 [15.75]<br>.590 [14.99] | .441 [11.20]<br>.431 [10.95] | 2.411 [61.24]<br>2.401 [60.99] | 2.084 [52.93]<br>2.074 [52.68] | 2.650 [67.31]<br>2.620 [66.55] | MS18277-1 | 50 | 5 | A010772-0009 | 1-448815-0 | 1-448815-0 |
|   | .049 [1.24]<br>.029 [0.74] |                              | 2.282 [57.96]<br>2.262 [57.45]                  | .236 [5.99]<br>.224 [5.69] | .436 [11.07]<br>.416 [10.57] |                              |                              | 2.505 [63.63]<br>2.495 [63.37] | 2.187 [55.55]<br>2.177 [55.30] | 2.744 [69.70]<br>2.714 [68.94] | MS18276-1 | 37 | 4 | A010772-0007 | 448815-9   | 448815-9   |
|   |                            | .432 [10.97]<br>.412 [10.46] | 1.635 [41.53]<br>1.093 [27.76]<br>1.073 [27.25] |                            |                              | .509 [12.93]<br>.479 [12.17] | .334 [8.48]<br>.324 [8.23]   | 1.857 [47.17]<br>1.847 [46.91] | 1.539 [39.09]<br>1.529 [38.84] | 2.103 [53.42]<br>2.073 [52.65] | MS18275-1 | 25 | 3 | A010772-0005 | 448815-8   | 448815-8   |
|   | .040 [1.02]<br>.020 [0.51] |                              | .769 [19.53]<br>.749 [19.02]                    | .241 [6.12]<br>.229 [5.82] | .432 [10.97]<br>.412 [10.46] |                              |                              | 1.317 [33.45]<br>1.307 [33.20] | .999 [25.37]<br>.989 [25.12]   | 1.556 [39.52]<br>1.526 [38.76] | MS18274-1 | 15 | 2 | A010772-0003 | 448815-7   | 448815-7   |
|   |                            | .544 [13.82]<br>.524 [13.31] | 2.188 [55.58]<br>2.168 [55.07]                  |                            |                              | .620 [15.75]<br>.590 [14.99] | .441 [11.20]<br>.431 [10.95] | 2.411 [61.24]<br>2.401 [60.99] | 2.084 [52.93]<br>2.074 [52.68] | 2.650 [67.31]<br>2.620 [66.55] | MS18277-1 | 50 | 5 | B010772-0009 | 448815-5   | 448815-5   |
|   | .049 [1.24]<br>.029 [0.74] |                              | 2.282 [57.96]<br>2.262 [57.45]                  | .236 [5.99]<br>.224 [5.69] | .436 [11.07]<br>.416 [10.57] |                              |                              | 2.505 [63.63]<br>2.495 [63.37] | 2.187 [55.55]<br>2.177 [55.30] | 2.744 [69.70]<br>2.714 [68.94] | MS18276-1 | 37 | 4 | B010772-0007 | 448815-4   | 448815-4   |
|   |                            | .432 [10.97]<br>.412 [10.46] | 1.635 [41.53]<br>1.093 [27.76]<br>1.073 [27.25] |                            |                              | .509 [12.93]<br>.479 [12.17] | .334 [8.48]<br>.324 [8.23]   | 1.857 [47.17]<br>1.847 [46.91] | 1.539 [39.09]<br>1.529 [38.84] | 2.103 [53.42]<br>2.073 [52.65] | MS18275-1 | 25 | 3 | B010772-0005 | 448815-3   | 448815-3   |
|   | .040 [1.02]<br>.020 [0.51] |                              | .769 [19.53]<br>.749 [19.02]                    | .241 [6.12]<br>.229 [5.82] | .432 [10.97]<br>.412 [10.46] |                              |                              | 1.317 [33.45]<br>1.307 [33.20] | .999 [25.37]<br>.989 [25.12]   | 1.556 [39.52]<br>1.526 [38.76] | MS18274-1 | 15 | 2 | B010772-0003 | 448815-2   | 448815-2   |
|   |                            | .544 [13.82]<br>.524 [13.31] | 2.188 [55.58]<br>2.168 [55.07]                  |                            |                              | .620 [15.75]<br>.590 [14.99] | .441 [11.20]<br>.431 [10.95] | 2.411 [61.24]<br>2.401 [60.99] | 2.084 [52.93]<br>2.074 [52.68] | 2.650 [67.31]<br>2.620 [66.55] | MS18277-1 | 50 | 5 | B010772-0009 | 448815-5   | 448815-5   |
|   | .049 [1.24]<br>.029 [0.74] |                              | 2.282 [57.96]<br>2.262 [57.45]                  | .236 [5.99]<br>.224 [5.69] | .436 [11.07]<br>.416 [10.57] |                              |                              | 2.505 [63.63]<br>2.495 [63.37] | 2.187 [55.55]<br>2.177 [55.30] | 2.744 [69.70]<br>2.714 [68.94] | MS18276-1 | 37 | 4 | B010772-0007 | 448815-4   | 448815-4   |
|   |                            | .432 [10.97]<br>.412 [10.46] | 1.635 [41.53]<br>1.093 [27.76]<br>1.073 [27.25] |                            |                              | .509 [12.93]<br>.479 [12.17] | .334 [8.48]<br>.324 [8.23]   | 1.857 [47.17]<br>1.847 [46.91] | 1.539 [39.09]<br>1.529 [38.84] | 2.103 [53.42]<br>2.073 [52.65] | MS18275-1 | 25 | 3 | B010772-0005 | 448815-3   | 448815-3   |
|   | .040 [1.02]<br>.020 [0.51] |                              | .769 [19.53]<br>.749 [19.02]                    | .241 [6.12]<br>.229 [5.82] | .432 [10.97]<br>.412 [10.46] |                              |                              | 1.317 [33.45]<br>1.307 [33.20] | .999 [25.37]<br>.989 [25.12]   | 1.556 [39.52]<br>1.526 [38.76] | MS18274-1 | 15 | 2 | B010772-0003 | 448815-2   | 448815-2   |
|   |                            | .544 [13.82]<br>.524 [13.31] | 2.188 [55.58]<br>2.168 [55.07]                  |                            |                              | .620 [15.75]<br>.590 [14.99] | .441 [11.20]<br>.431 [10.95] | 2.411 [61.24]<br>2.401 [60.99] | 2.084 [52.93]<br>2.074 [52.68] | 2.650 [67.31]<br>2.620 [66.55] | MS18277-1 | 50 | 5 | B010772-0009 | 448815-5   | 448815-5   |
|   | .049 [1.24]<br>.029 [0.74] |                              | 2.282 [57.96]<br>2.262 [57.45]                  | .236 [5.99]<br>.224 [5.69] | .436 [11.07]<br>.416 [10.57] |                              |                              | 2.505 [63.63]<br>2.495 [63.37] | 2.187 [55.55]<br>2.177 [55.30] | 2.744 [69.70]<br>2.714 [68.94] | MS18276-1 | 37 | 4 | B010772-0007 | 448815-4   | 448815-4   |
|   |                            | .432 [10.97]<br>.412 [10.46] | 1.635 [41.53]<br>1.093 [27.76]<br>1.073 [27.25] |                            |                              | .509 [12.93]<br>.479 [12.17] | .334 [8.48]<br>.324 [8.23]   | 1.857 [47.17]<br>1.847 [46.91] | 1.539 [39.09]<br>1.529 [38.84] | 2.103 [53.42]<br>2.073 [52.65] | MS18275-1 | 25 | 3 | B010772-0005 | 448815-3   | 448815-3   |
|   | .040 [1.02]<br>.020 [0.51] |                              | .769 [19.53]<br>.749 [19.02]                    | .241 [6.12]<br>.229 [5.82] | .432 [10.97]<br>.412 [10.46] |                              |                              | 1.317 [33.45]<br>1.307 [33.20] | .999 [25.37]<br>.989 [25.12]   | 1.556 [39.52]<br>1.526 [38.76] | MS18274-1 | 15 | 2 | B010772-0003 | 448815-2   | 448815-2   |
|   |                            | .544 [13.82]<br>.524 [13.31] | 2.188 [55.58]<br>2.168 [55.07]                  |                            |                              | .620 [15.75]<br>.590 [14.99] | .441 [11.20]<br>.431 [10.95] | 2.411 [61.24]<br>2.401 [60.99] | 2.084 [52.93]<br>2.074 [52.68] | 2.650 [67.31]<br>2.620 [66.55] | MS18277-1 | 50 | 5 | B010772-0009 | 448815-5   | 448815-5   |
|   | .049 [1.24]<br>.029 [0.74] |                              | 2.282 [57.96]<br>2.262 [57.45]                  | .236 [5.99]<br>.224 [5.69] | .436 [11.07]<br>.416 [10.57] |                              |                              | 2.505 [63.63]<br>2.495 [63.37] | 2.187 [55.55]<br>2.177 [55.30] | 2.744 [69.70]<br>2.714 [68.94] | MS18276-1 | 37 | 4 | B010772-0007 | 448815-4   | 448815-4   |
|   |                            | .432 [10.97]<br>.412 [10.46] | 1.635 [41.53]<br>1.093 [27.76]<br>1.073 [27.25] |                            |                              | .509 [12.93]<br>.479 [12.17] | .334 [8.48]<br>.324 [8.23]   | 1.857 [47.17]<br>1.847 [46.91] | 1.539 [39.09]<br>1.529 [38.84] | 2.103 [53.42]<br>2.073 [52.65] | MS18275-1 | 25 | 3 | B010772-0005 | 448815-3   | 448815-3   |
|   | .040 [1.02]<br>.020 [0.51] |                              | .769 [19.53]<br>.749 [19.02]                    | .241 [6.12]<br>.229 [5.82] | .432 [10.97]<br>.412 [10.46] |                              |                              | 1.317 [33.45]<br>1.307 [33.20] | .999 [25.37]<br>.989 [25.12]   | 1.556 [39.52]<br>1.526 [38.76] | MS18274-1 | 15 | 2 | B010772-0003 | 448815-2   | 448815-2   |
|   |                            | .544 [13.82]<br>.524 [13.31] | 2.188 [55.58]<br>2.168 [55.07]                  |                            |                              | .620 [15.75]<br>.590 [14.99] | .441 [11.20]<br>.431 [10.95] | 2.411 [61.24]<br>2.401 [60.99] | 2.084 [52.93]<br>2.074 [52.68] | 2.650 [67.31]<br>2.620 [66.55] | MS18277-1 | 50 | 5 | B010772-0009 | 448815-5   | 448815-5   |
|   | .049 [1.24]<br>.029 [0.74] |                              | 2.282 [57.96]<br>2.262 [57.45]                  | .236 [5.99]<br>.224 [5.69] | .436 [11.07]<br>.416 [10.57] |                              |                              | 2.505 [63.63]<br>2.495 [63.37] | 2.187 [55.55]<br>2.177 [55.30] | 2.744 [69.70]<br>2.714 [68.94] | MS18276-1 | 37 | 4 | B010772-0007 | 448815-4   | 448815-4   |
|   |                            | .432 [10.97]<br>.412 [10.46] | 1.635 [41.53]<br>1.093 [27.76]<br>1.073 [27.25] |                            |                              | .509 [12.93]<br>.479 [12.17] | .334 [8.48]<br>.324 [8.23]   | 1.857 [47.17]<br>1.847 [46.91] | 1.539 [39.09]<br>1.529 [38.84] | 2.103 [53.42]<br>2.073 [52.65] | MS18275-1 | 25 | 3 | B010772-0005 | 448815-3   | 448815-3   |
|   | .040 [1.02]<br>.020 [0.51] |                              | .769 [19.53]<br>.749 [19.02]                    | .241 [6.12]<br>.229 [5.82] | .432 [10.97]<br>.412 [10.46] |                              |                              | 1.317 [33.45]<br>1.307 [33.20] | .999 [25.37]<br>.989 [25.12]   | 1.556 [39.52]<br>1.526 [38.76] | MS18274-1 | 15 | 2 | B010772-0003 | 448815-2   | 448815-2   |
|   |                            | .544 [13.82]<br>.524 [13.31] | 2.188 [55.58]<br>2.168 [55.07]                  |                            |                              | .620 [15.75]<br>.590 [14.99] | .441 [11.20]<br>.431 [10.95] | 2.411 [61.24]<br>2.401 [60.99] | 2.084 [52.93]<br>2.074 [52.68] | 2.650 [67.31]<br>2.620 [66.55] | MS18277-1 | 50 | 5 | B010772-0009 | 448815-5   | 448815-5   |
|   | .049 [1.24]<br>.029 [0.74] |                              | 2.282 [57.96]<br>2.262 [57.45]                  | .236 [5.99]<br>.224 [5.69] | .436 [11.07]<br>.416 [10.57] |                              |                              | 2.505 [63.63]<br>2.495 [63.37] | 2.187 [55.55]<br>2.177 [55.30] | 2.744 [69.70]<br>2.714 [68.94] | MS18276-1 | 37 | 4 | B010772-0007 | 448815-4   | 448815-4   |
|   |                            | .432 [10.97]<br>.412 [10.46] | 1.635 [41.53]<br>1.093 [27.76]<br>1.073 [27.25] |                            |                              | .509 [12.93]<br>.479 [12.17] | .334 [8.48]<br>.324 [8.23]   | 1.857 [47.17]<br>1.847 [46.91] | 1.539 [39.09]<br>1.529 [38.84] | 2.103 [53.42]<br>2.073 [52.65] | MS18275-1 | 25 | 3 | B010772-0005 | 448815-3   | 448815-3   |
|   | .040 [1.02]<br>.020 [0.51] |                              | .769 [19.53]<br>.749 [19.02]                    | .241 [6.12]<br>.229 [5.82] | .432 [10.97]<br>.412 [10.46] |                              |                              | 1.317 [33.45]<br>1.307 [33.20] | .999 [25.37]<br>.989 [25.12]   | 1.556 [39.52]<br>1.526 [38.76] | MS18274-1 | 15 | 2 | B010772-0003 | 448815-2   | 448815-2   |
|   |                            | .544 [13.82]<br>.524 [13.31] | 2.188 [55.58]<br>2.168 [55.07]                  |                            |                              | .620 [15.75]<br>.590 [14.99] | .441 [11.20]<br>.431 [10.95] | 2.411 [61.24]<br>2.401 [60.99] | 2.084 [52.93]<br>2.074 [52.68] | 2.650 [67.31]<br>2.620 [66.55] | MS18277-1 | 50 | 5 | B010772-0009 | 448815-5   | 448815-5   |
|   | .049 [1.24]<br>.029 [0.74] |                              | 2.282 [57.96]<br>2.262 [57.45]                  | .236 [5.99]<br>.224 [5.69] | .436 [11.07]<br>.416 [10.57] |                              |                              | 2.505 [63.63]<br>2.495 [63.37] | 2.187 [55.55]<br>2.177 [55.30] | 2.744 [69.70]<br>2.714 [68.94] | MS18276-1 | 37 | 4 | B010772-0007 | 448815-4   | 448815-4   |
|   |                            | .432 [10.97]<br>.412 [10.46] | 1.635 [41.53]<br>1.093 [27.76]<br>1.073 [27.25] |                            |                              | .509 [12.93]<br>.479 [12.17] | .334 [8.48]<br>.324 [8.23]   | 1.857 [47.17]<br>1.847 [46.91] | 1.539 [39.09]<br>1.529 [38.84] | 2.103 [53.42]<br>2.073 [52.65] | MS18275-1 | 25 | 3 | B010772-0005 | 448815-3   | 448815-3   |
|   | .040 [1.02]<br>.020 [0.51] |                              | .769 [19.53]<br>.749 [19.02]                    | .241 [6.12]<br>.229 [5.82] | .432 [10.97]<br>.412 [10.46] |                              |                              | 1.317 [33.45]<br>1.307 [33.20] | .999 [25.37]<br>.989 [25.12]   | 1.556 [39.52]<br>1.526 [38.76] | MS18274-1 | 15 | 2 | B010772-0003 | 448815-2   | 448815-2   |
|   |                            | .544 [13.82]<br>.524 [13.31] | 2.188 [55.58]<br>2.168 [55.07]                  |                            |                              | .620 [15.75]<br>.590 [14.99] | .441 [11.20]<br>.431 [10.95] | 2.411 [61.24]<br>2.401 [60.99] | 2.084 [52.93]<br>2.074 [52.68] | 2.650 [67.31]<br>2.620 [66.55] | MS        |    |   |              |            |            |

| LOC |     | DIST        |      | REVISIONS |      |   |   |
|-----|-----|-------------|------|-----------|------|---|---|
| P   | LYR | DESCRIPTION | DATE | DNW       | APVD |   |   |
| -   | -   | SEE SHEET 1 | -    | -         | -    | - | - |



CONTACT  
AMP P/N 205089-4 (AWG 20-24)  
OR 206794-2 (AWG 26-28)

|  |   |  |   |
|--|---|--|---|
| THIS DRAWING IS A CONTROLLED DOCUMENT. |   | DWN<br>AJ GRAFF 2-11-93<br>CHK<br>F. KINSEY 2-17-93<br>APVD<br>- | TE Connectivity   |
| DIMENSIONS:<br>INCHES<br>              | TOLERANCES UNLESS OTHERWISE SPECIFIED:<br>0 PLC ± -<br>1 PLC ± -<br>2 PLC ± -<br>3 PLC ± -<br>4 PLC ± -<br>ANGLES ± - | PRODUCT SPEC<br>MIL-C-24308<br>APPLICATION SPEC<br>-             | NAME<br>AMPLIMITE NONMAGNETIC PLUG ASSY WITH SIZE 20 CRIMP TYPE PIN CONTACTS, SERIES 109,<br>SIZE<br>A1<br>CAGE CODE<br>00779<br>DRAWING NO<br>C=448815<br>RESTRICTED TO<br>- |
| MATERIAL<br>SEE CALLOUTS               | FINISH<br>SEE CALLOUTS  | WEIGHT<br>-  | CUSTOMER DRAWING<br>SCALE 4:1 SHEET 2 OF 2 REV E  |

单击下面可查看定价，库存，交付和生命周期等信息

[>>TE Connectivity\(泰科\)](#)