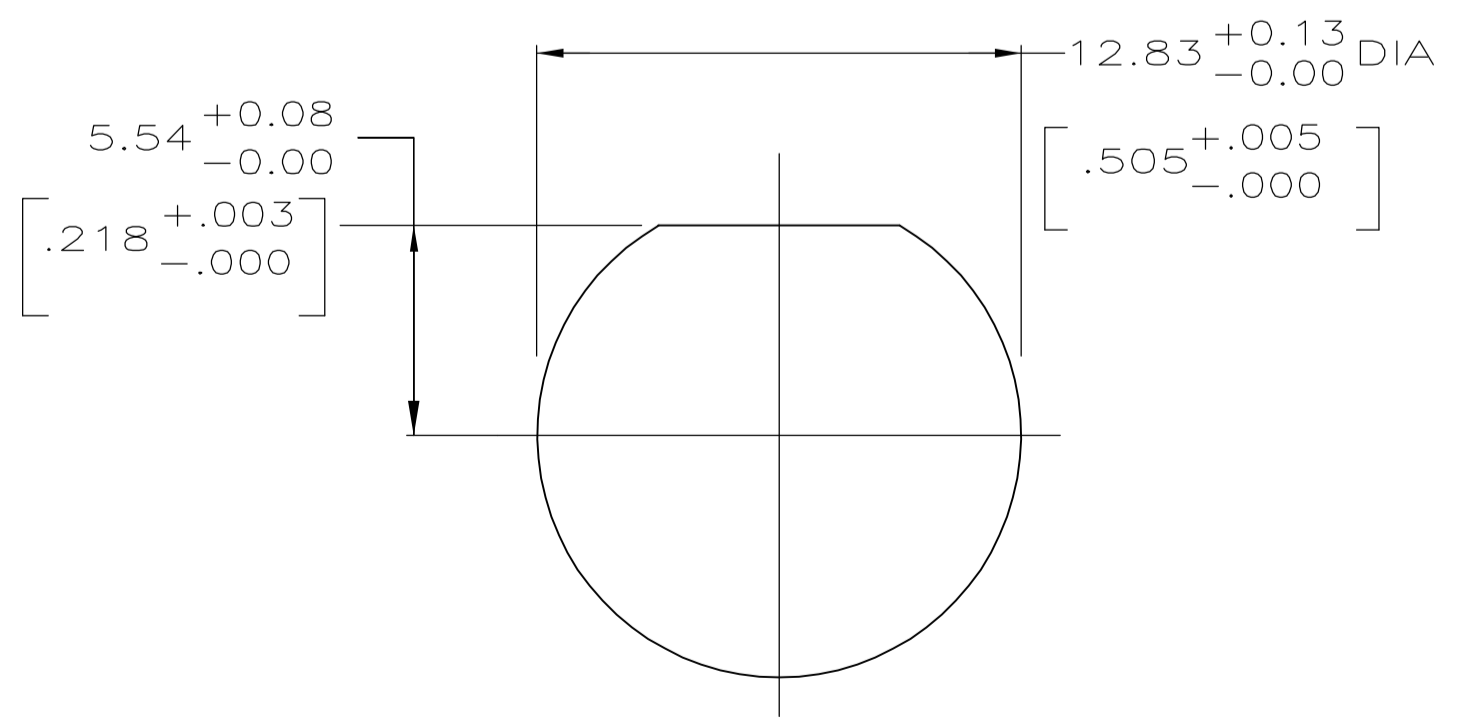
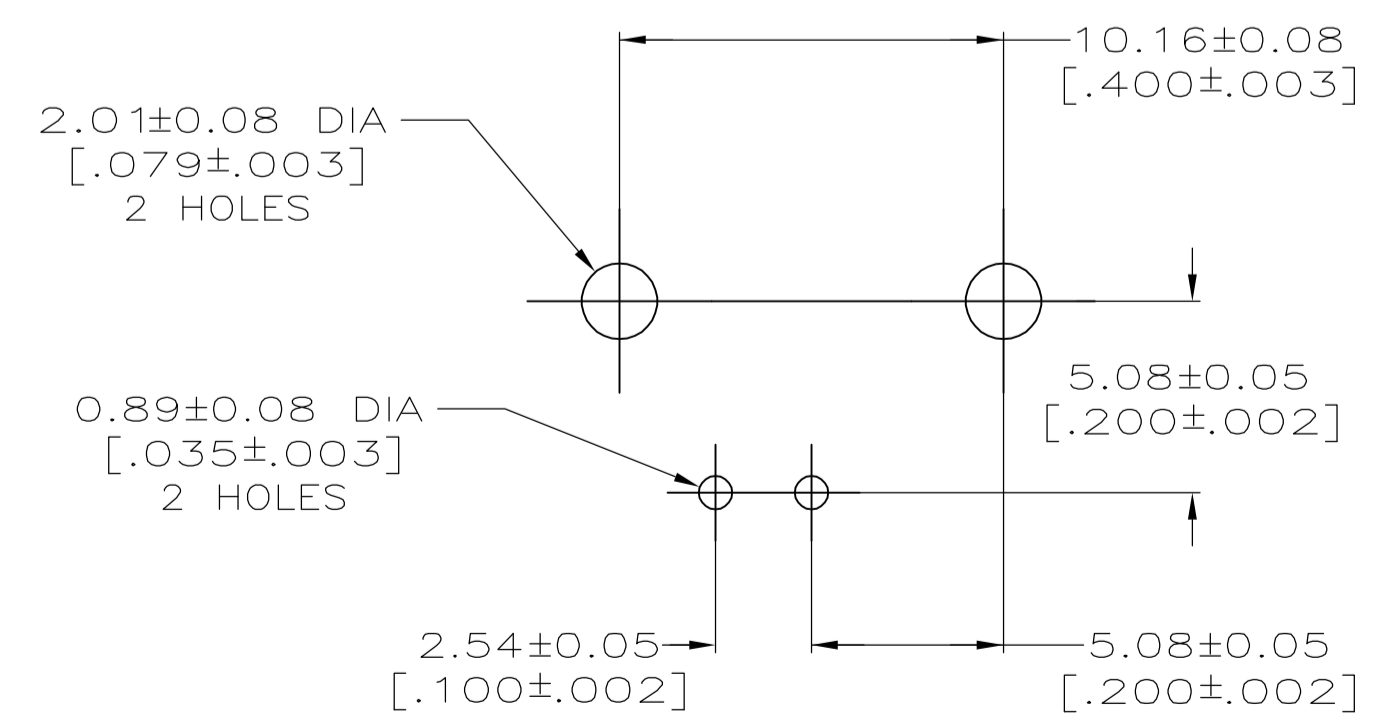
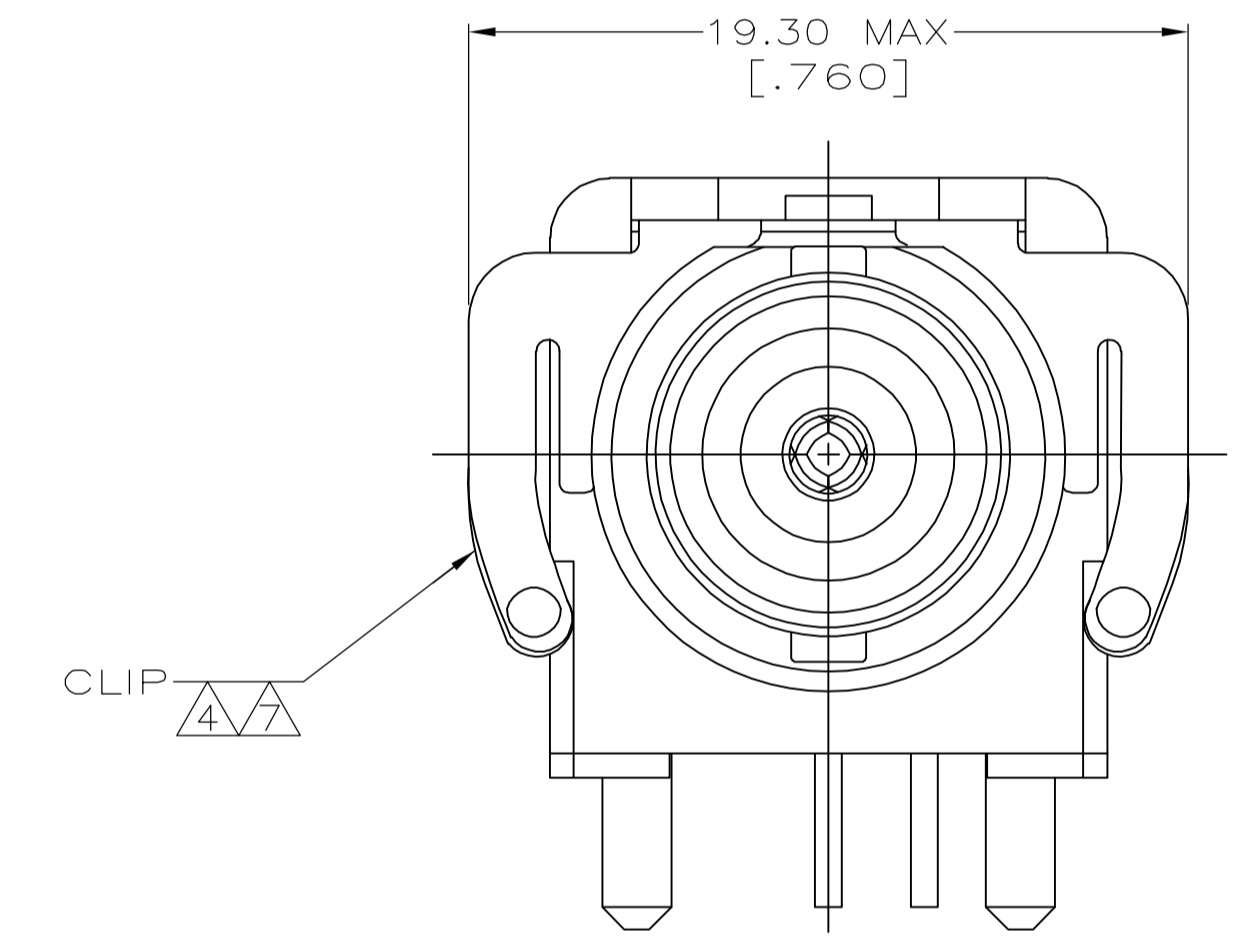
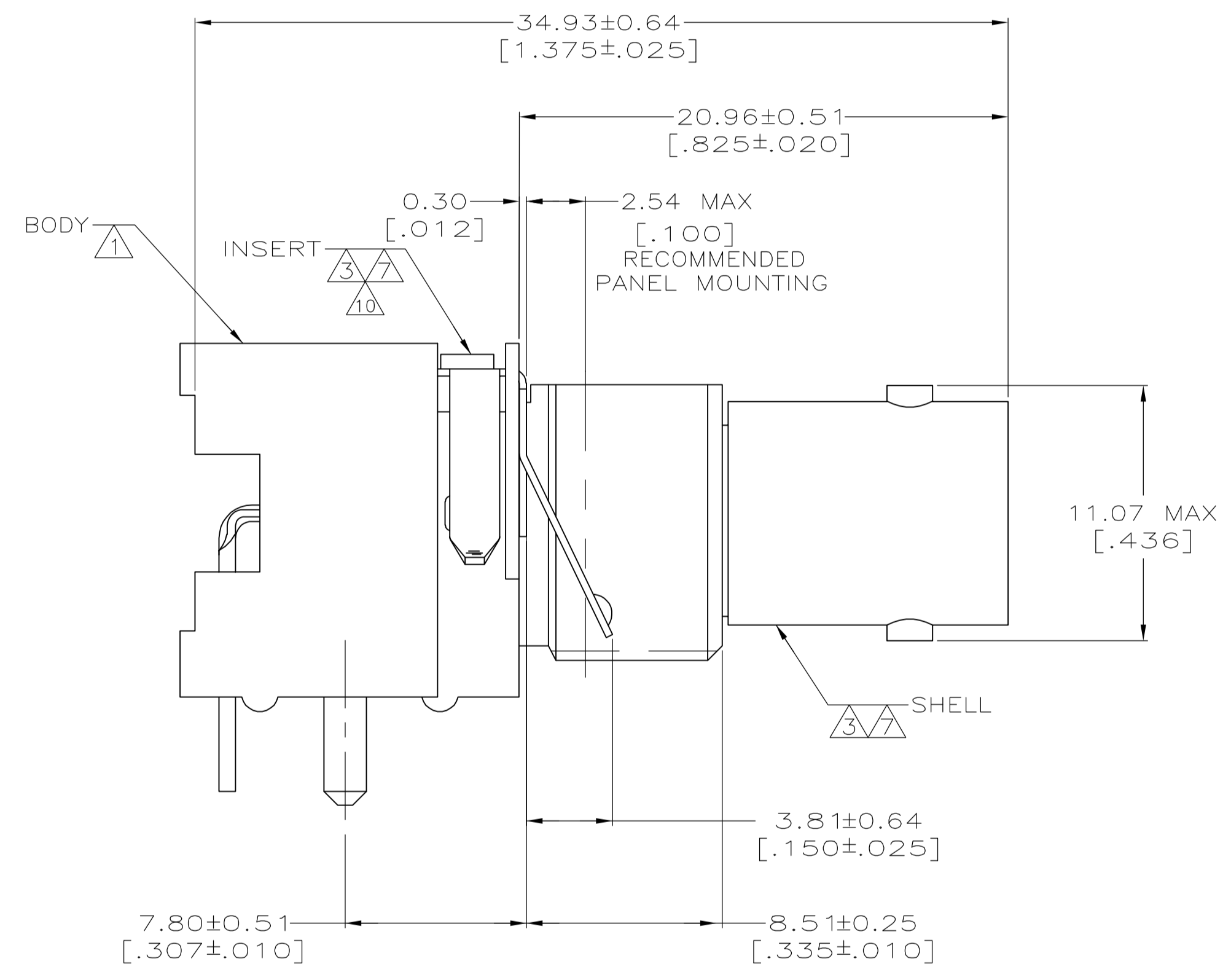
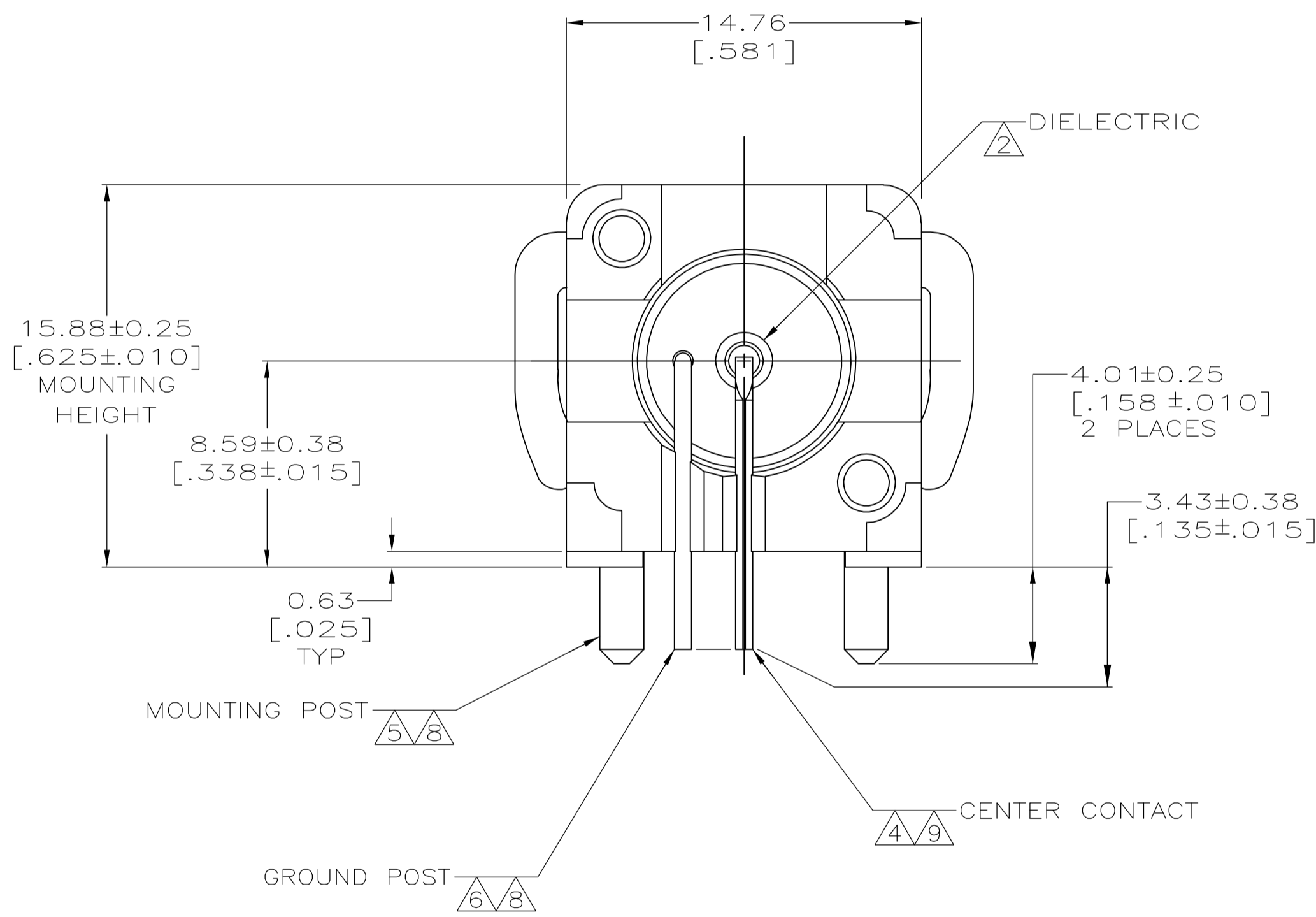


- 1 POLYESTER, PBT, BLACK, PER MIL-M-24519.
- 2 POLYMETHYLPENTENE GENERAL PURPOSE.
- 3 ZINC PER QQ-Z-363.
- 4 PHOSPHOR BRONZE PER QQ-B-750.
- 5 BRASS PER QQ-B-626.
- 6 BRASS PER ASTM-B-453.
- 7 NICKEL PL PER QQ-N-290.
- 8 TIN PLATE PER ASTM-B-545.
- 9 SELECTIVELY GOLD PLATED ON INTERFACE AREA PER ASTM-B-488, 0.76 [.00030] THICK, TIN PLATED ON SOLDER TAIL PER ASTM-B-545, ALL OVER NICKEL PLATE PER QQ-N-290.
- 10 ESD DEVICE, VOLTAGE BREAKDOWN <3.5KVDC.



PCB CONFIGURATION

RECOMMENDED PANEL CUTOUT

| | |
|-----------------------|-----------|
| 9400 pf, 1500 VDC | 5415085-1 |
| CAPACITANCE & VOLTAGE | PART NO |

| | | | |
|--|---------------------------|---------------------------------|---|
| THIS DRAWING IS A CONTROLLED DOCUMENT. | | DWN J. ALCORTA - 27APR2005 | Tyco Electronics Corporation Harrisburg, PA 17105-3608 |
| DIMENSIONS: mm [INCHES] | | CHK J. HAVENER - 27APR2005 | |
| TOLERANCES UNLESS OTHERWISE SPECIFIED: | | APP'D J. LIPPERT - 27APR2005 | NAME |
| 0 PLC ± - | 1 PLC ± - | PRODUCT SPEC | JACK, DECOUPLER, PCB |
| 2 PLC ± - | 3 PLC ± 0.20 [.008] | APPLICATION SPEC | 108-1269 |
| 4 PLC ± - | ANGLES ± - | SIZE | JACK, DECOUPLER, PCB |
| MATERIAL SEE NOTES 1 - 6 | FINISH SEE NOTES 7,8,9,10 | WEIGHT | RIGHT ANGLE, STANDARD, ESD PROTECTED, 75 OHM BNC |
| CUSTOMER DRAWING | | A1 00779 | RESTRICTED TO |
| SCALE 5:1 | | SHEET 1 OF 1 | REV A |

单击下面可查看定价，库存，交付和生命周期等信息

[>>TE Connectivity\(泰科\)](#)