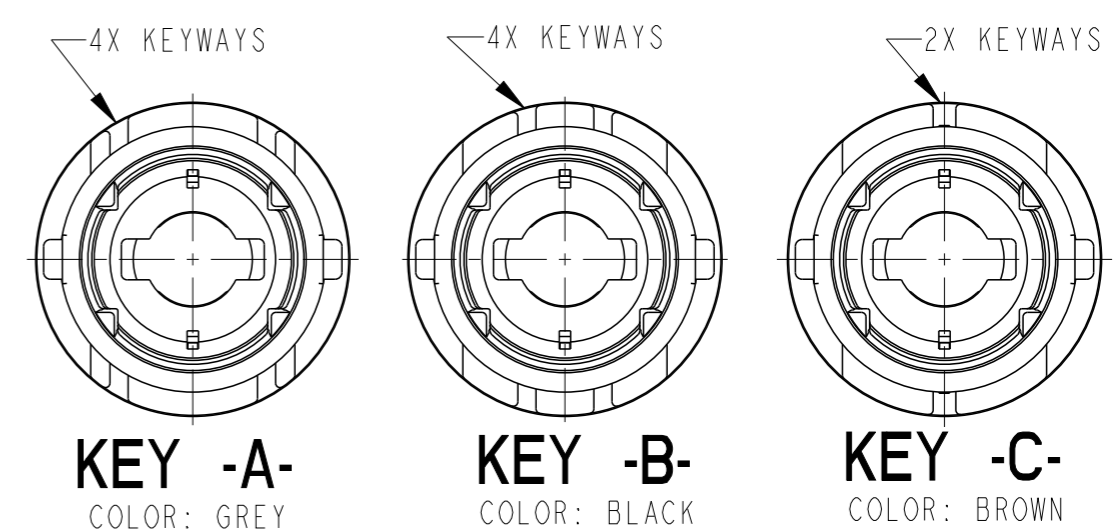
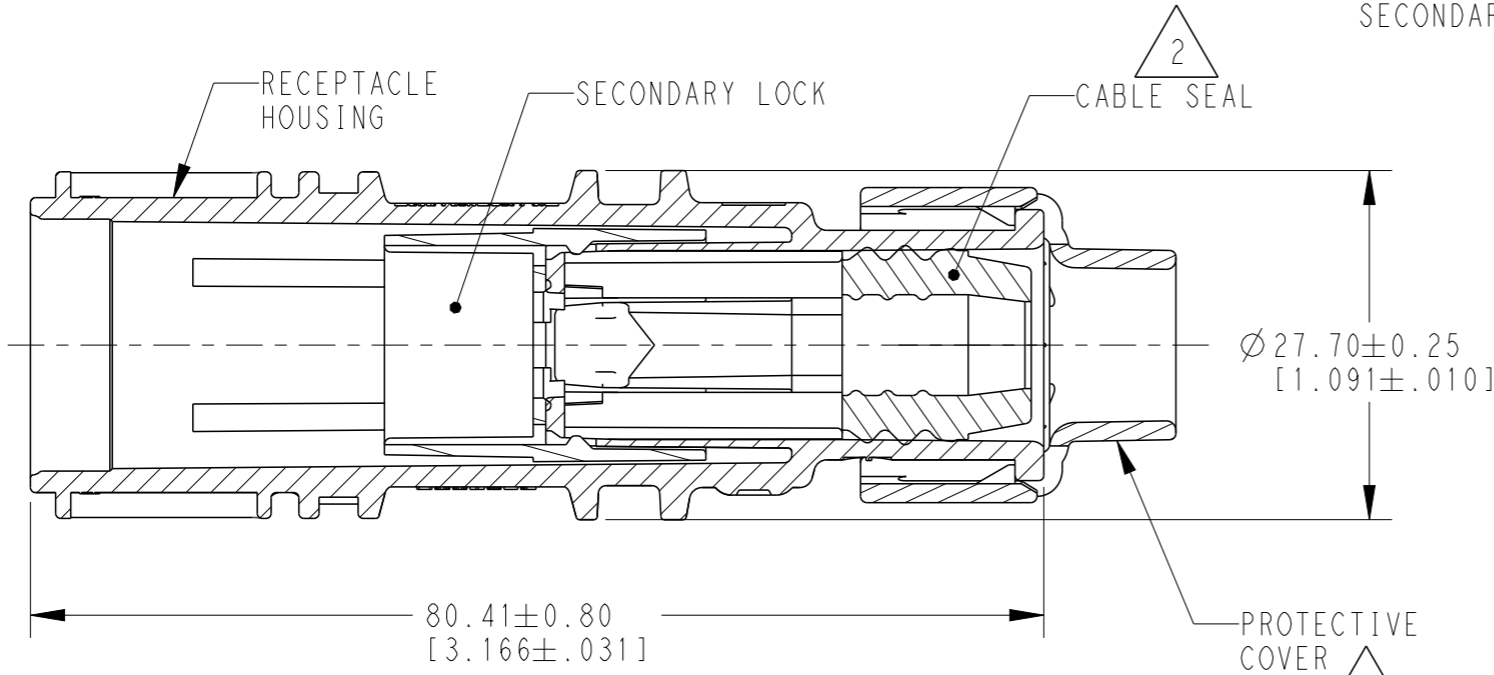
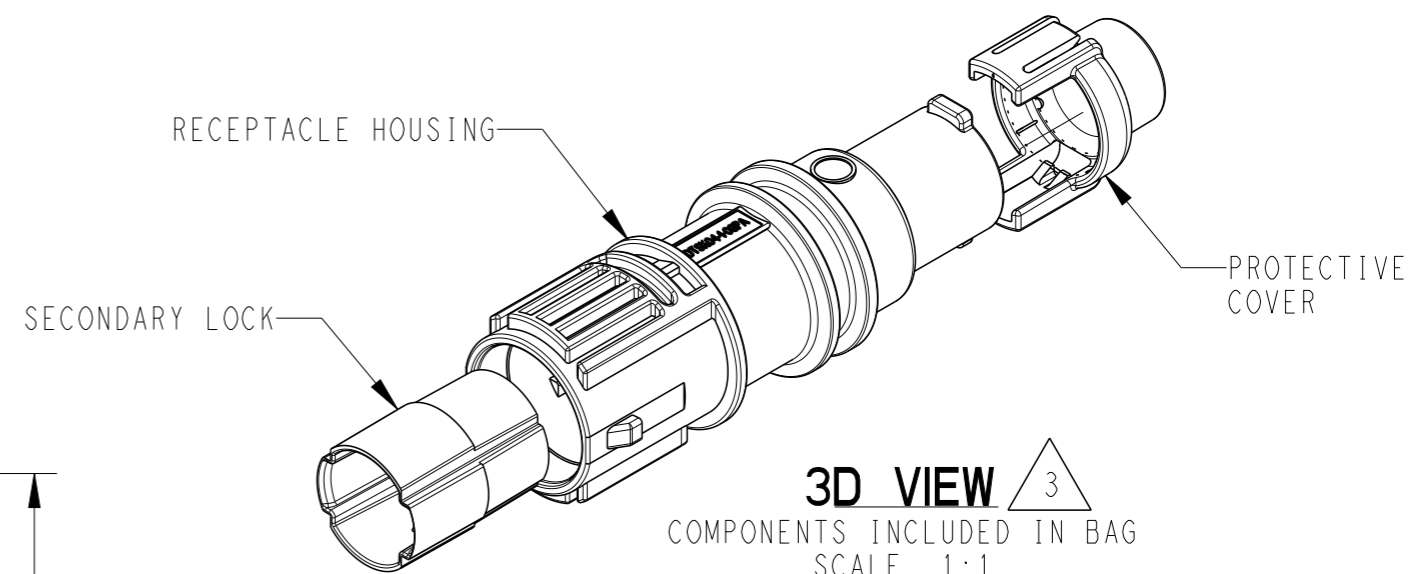
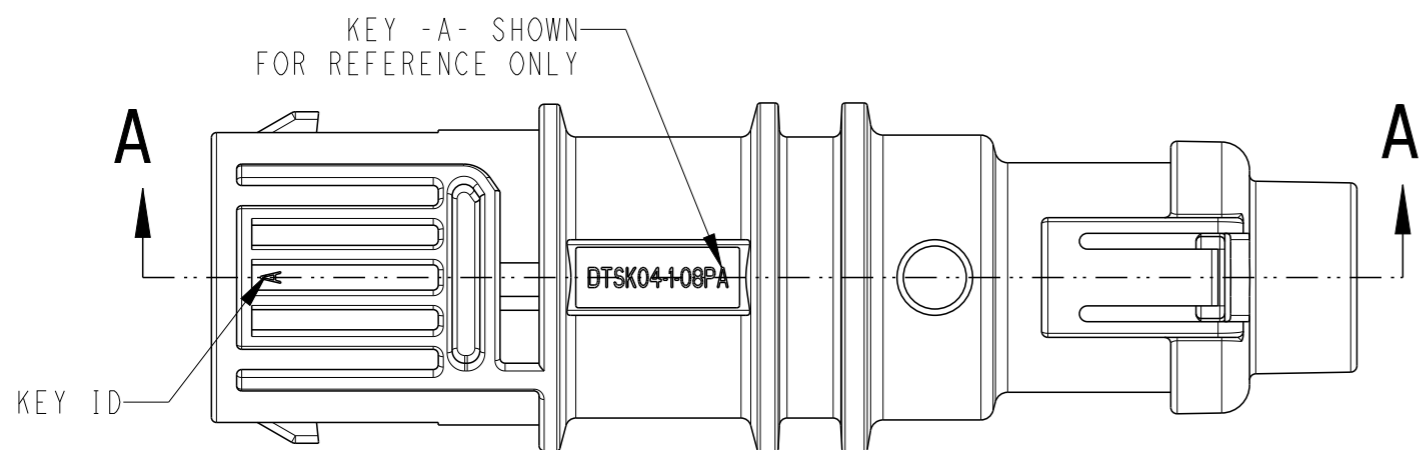


THIS DRAWING IS UNPUBLISHED. RELEASED FOR PUBLICATION 2015
 © COPYRIGHT 2015 BY TE CONNECTIVITY ALL RIGHTS RESERVED.

LOC	DIST	REVISIONS			
P	LTR	DESCRIPTION	DATE	DWN	APVD
	B2	REVISED PER ECO-16-003814	11MAR2016	JA	DM
	C	REVISED PER ECO-16-016157	09NOV2016	DD	DM
	C1	REVISED PER ECR-17-016062	31OCT2017	DD	DM
	C2	REVISED PER PCN :E-18-011832	23JUL2018	DD	DM



SECTION A-A

KEY ARRANGEMENTS

- △ 4 MATERIAL: RECEPTACLE HOUSING: PA46 GF10 (GREY, BLACK, BROWN)
 SECONDARY LOCK: PA66 GF10 (BLUE)
 PROTECTIVE COVER: PA66 GF15 (BLACK)
- △ 3 SECONDARY LOCK, PROTECTIVE COVER AND HOUSING ARE SHIPPED LOOSE IN INDIVIDUAL BAG. FOR INSTALLATION; SEE APPLICATION SPEC 114-151028
- △ 2 CABLE SEAL NOT INCLUDED. SEE TABLE FOR SEAL SELECTION.

TE INTERNAL PN	DEUTSCH PN
DTSK04-1-08PA	DTSK04-1-08PA
DTSK04-1-08PB	DTSK04-1-08PB
DTSK04-1-08PC	DTSK04-1-08PC

TE INTERNAL PN	DEUTSCH PN	MIN INSUL OD	MAX INSUL OD	CABLE SEAL COLOR
2289241-1	WS-25-001	8.17 [.322]	9.66 [.380]	BLUE
2289242-1	WS-32-001	9.49 [.374]	10.52 [.414]	RED
2289243-1	WS-35-001	10.59 [.417]	11.59 [.456]	GREEN

THIS DRAWING IS A CONTROLLED DOCUMENT.

DWN 19JAN2012 ILINA GRANICHAROVA
 CHK 22MAY2012 ILINA GRANICHAROVA
 APVD 23MAY2012 CLARK WOODRUFF

TE Connectivity

NAME: RECEPTACLE, 8MM DTSK SERIES

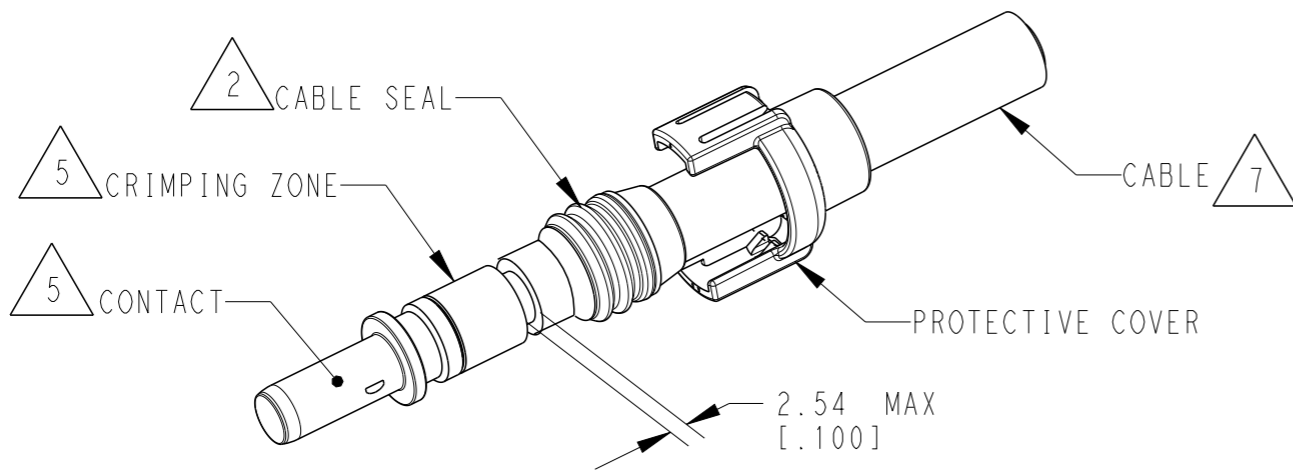
PRODUCT SPEC: 108-151027
 APPLICATION SPEC: 114-151028
 WEIGHT: 22.2g

SIZE: A3 CAGE CODE: 4AFU8 DRAWING NO: DTSK04-1-08PX RESTRICTED TO: -

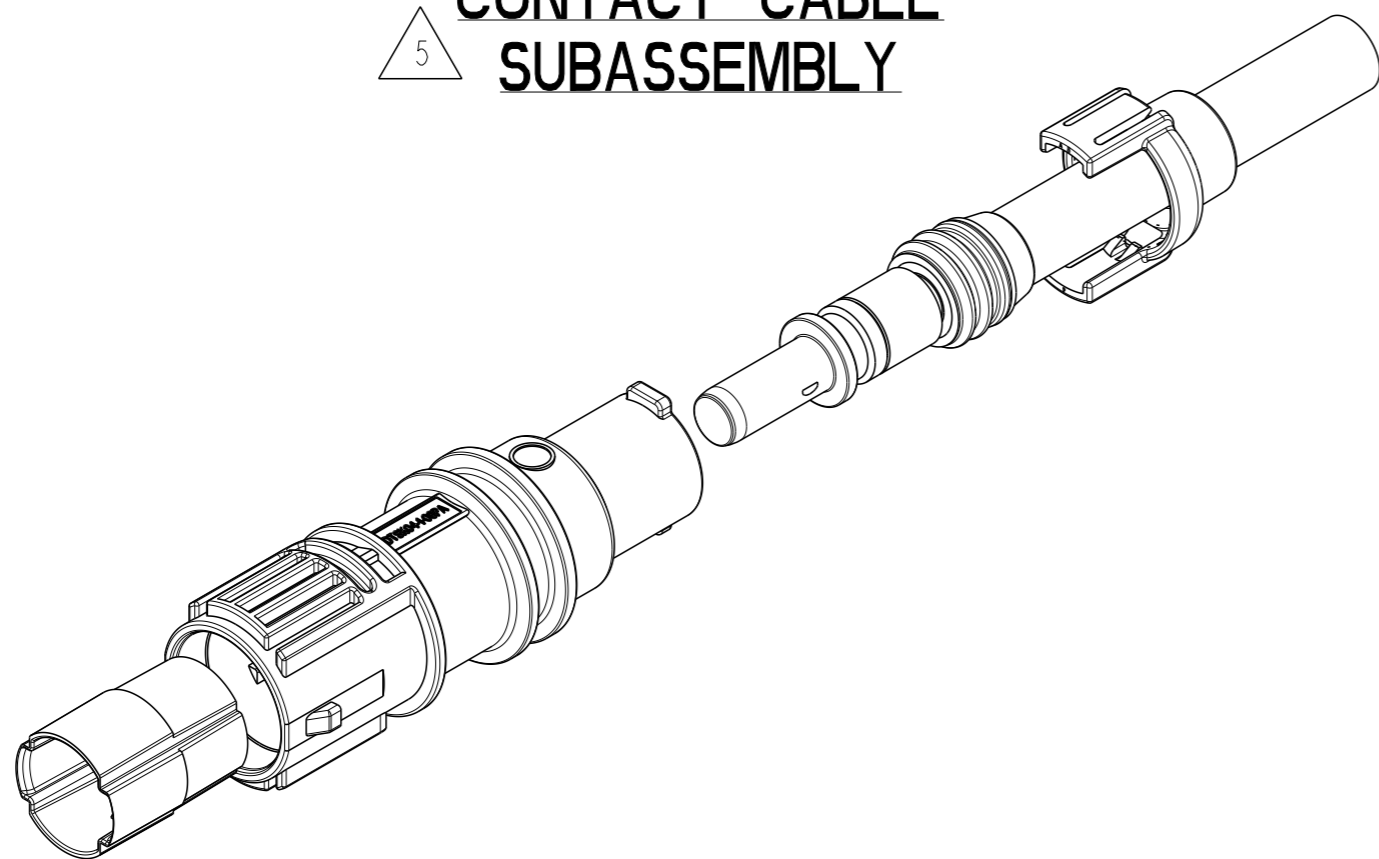
CUSTOMER DRAWING SCALE: 5:3 SHEET 1 OF 2 REV: C2

NOTES:
 1. THIS RECEPTACLE MATES WITH DTSK06-1-08SX PLUG. (X=A,B,C KEYS)

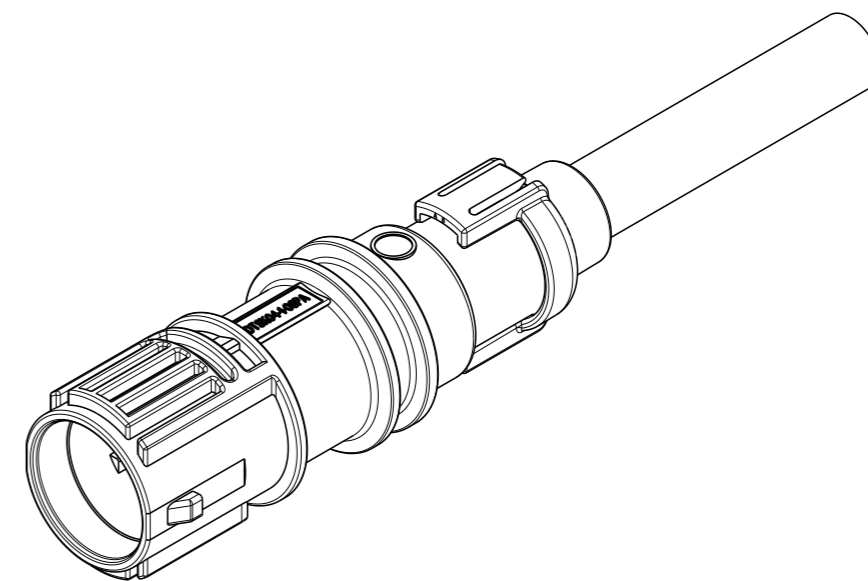
LOC		DIST		REVISIONS			
P	LTR	DESCRIPTION		DATE	DWN	APVD	
	-	SEE SHEET 1		-	-	-	



CONTACT CABLE SUBASSEMBLY



CONTACT INSTALLATION



WIRED AND COMPLETED ASSEMBLY

8. FOR FLANGE MOUNTING SEE DTSKF-1.
 RECEPTACLE INSTALLS INTO FLANGE USING 1/4 TURN.

7 FOR CABLE O.D. SEE APPLICATION SPEC 114-151028.

6 FOR PROTECTIVE COVER SEE 1028-047-08005.

5 FOR CONTACT AND CRIMP INFORMATION SEE APPLICATION SPEC 114-151039.

NOTES:

THIS DRAWING IS A CONTROLLED DOCUMENT.		DWN 19 JAN 2012 ILINA GRANICHAROVA			
DIMENSIONS: mm [INCHES]		CHK 22 MAY 2012 ILINA GRANICHAROVA			
TOLERANCES UNLESS OTHERWISE SPECIFIED:		APVD 23 MAY 2012 CLARK WOODRUFF		NAME RECEPTACLE, 8MM DTSK SERIES	
0 PLC ± 1 PLC ± 2 PLC ± 3 PLC ± 4 PLC ± ANGLES ±		PRODUCT SPEC 108-151027		SIZE A3	
MATERIAL 4		FINISH		CAGE CODE 4AFU8	
		APPLICATION SPEC 114-151028		DRAWING NO DTSK04-1-08PX	
		WEIGHT 22.2g		RESTRICTED TO	
		Customer Drawing		SCALE 1:1 SHEET 2 OF 2 REV C2	

单击下面可查看定价，库存，交付和生命周期等信息

[>>TE Connectivity\(泰科\)](#)