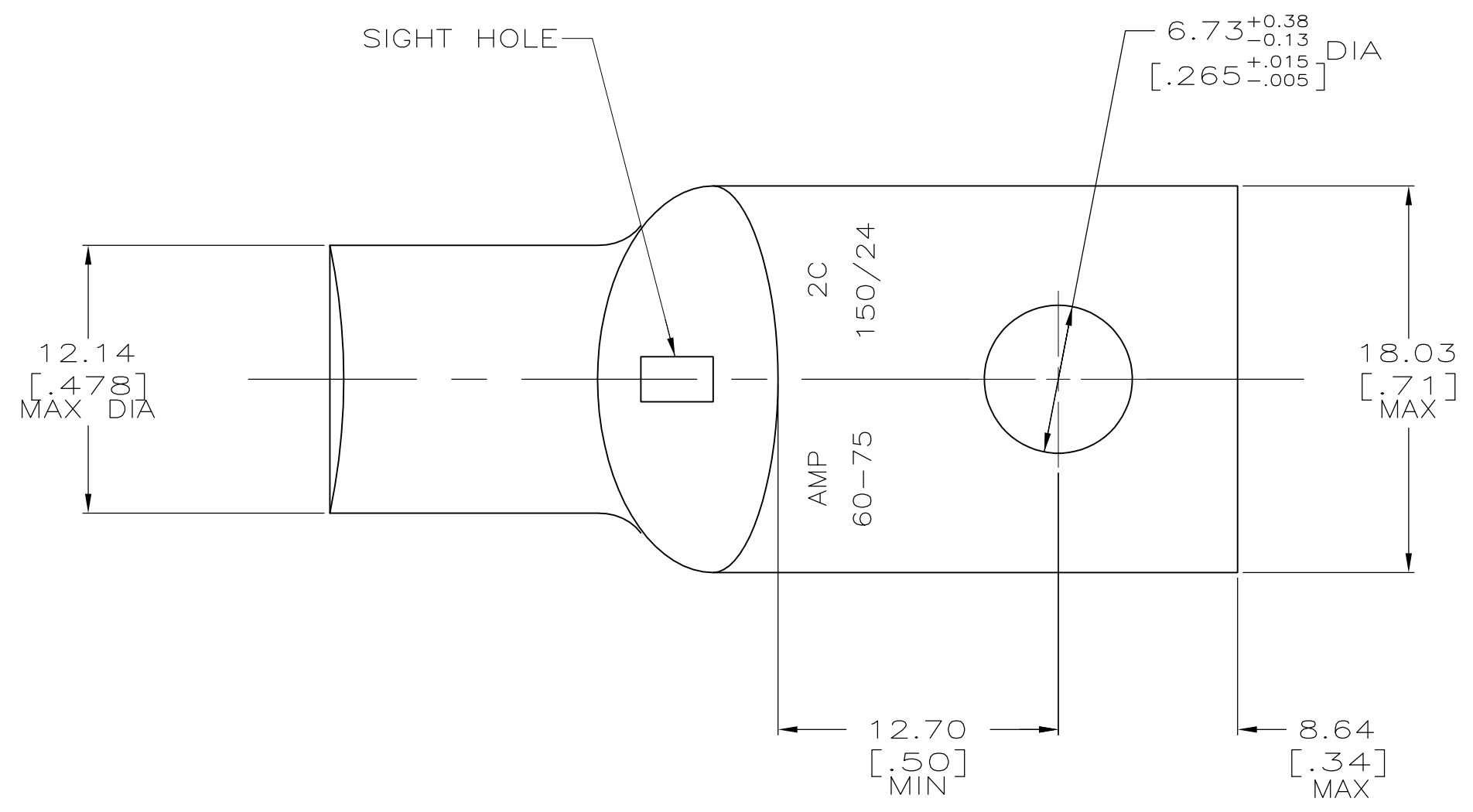
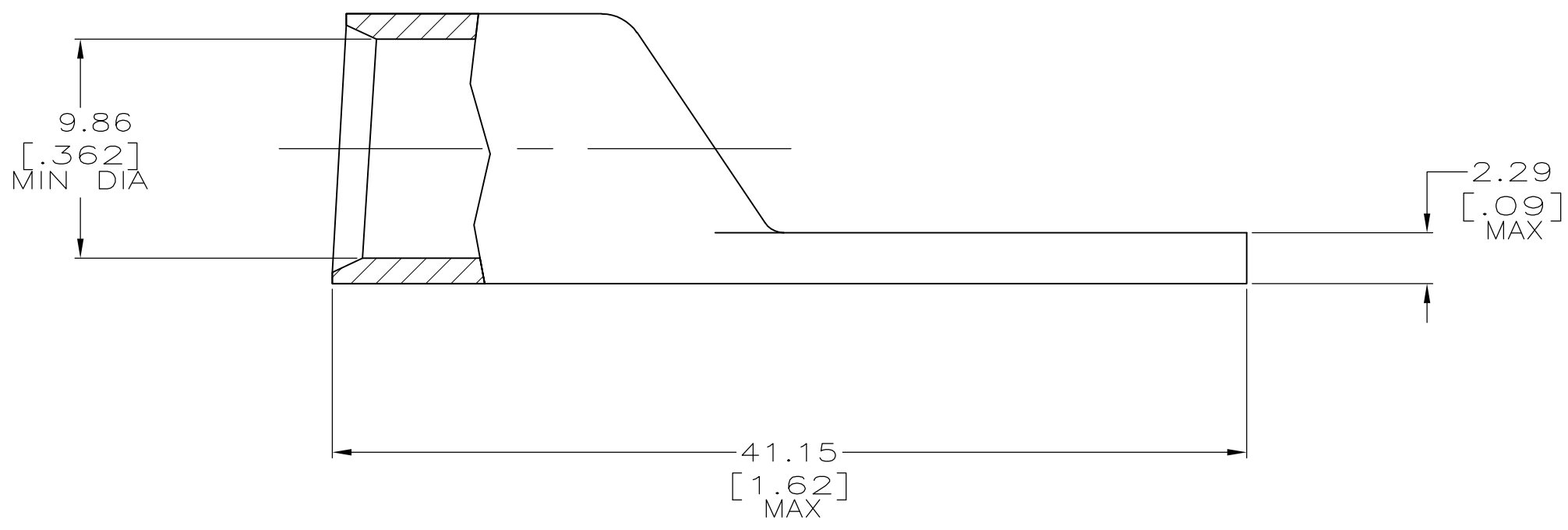


THIS DRAWING IS UNPUBLISHED. RELEASED FOR PUBLICATION  
 © COPYRIGHT - By - ALL RIGHTS RESERVED.

LOC	DIST	REVISIONS			
P	LTR	DESCRIPTION	DATE	OWN	APVD
G	86	V2	REVISED PER ECO-11-004917	11MAR11	RK HMR



1 CIRCULAR MIL AREA RANGE: 52,600-83,700 CM  
 2 TIN PL 0.00381[0.00150] MIN THK PER MIL-T-10727



325201  
 PART NO.

THIS DRAWING IS A CONTROLLED DOCUMENT.		DWN DK SCHRUM 04/05/90	<b>STE</b> TE Connectivity	
DIMENSIONS: mm[INCHES]		CHK MS FEHER 18JAN95		
TOLERANCES UNLESS OTHERWISE SPECIFIED:		APVD TL SHUTTER 18JAN95	NAME	
0 PLC ± -		PRODUCT SPEC	108-30200	
1 PLC ± -		APPLICATION SPEC	-	
2 PLC ± 0.51[0.020]		SIZE	CAGE CODE	DRAWING NO
3 PLC ± -		WEIGHT	A2	00779
4 PLC ± -		CUSTOMER DRAWING	G-325201	RESTRICTED TO
ANGLES ± ± -		SCALE	4:1	SHEET
FINISH		1 of 1	REV	V2
ANNEALED COPPER ASTM B-75				

单击下面可查看定价，库存，交付和生命周期等信息

[>>TE Connectivity\(泰科\)](#)