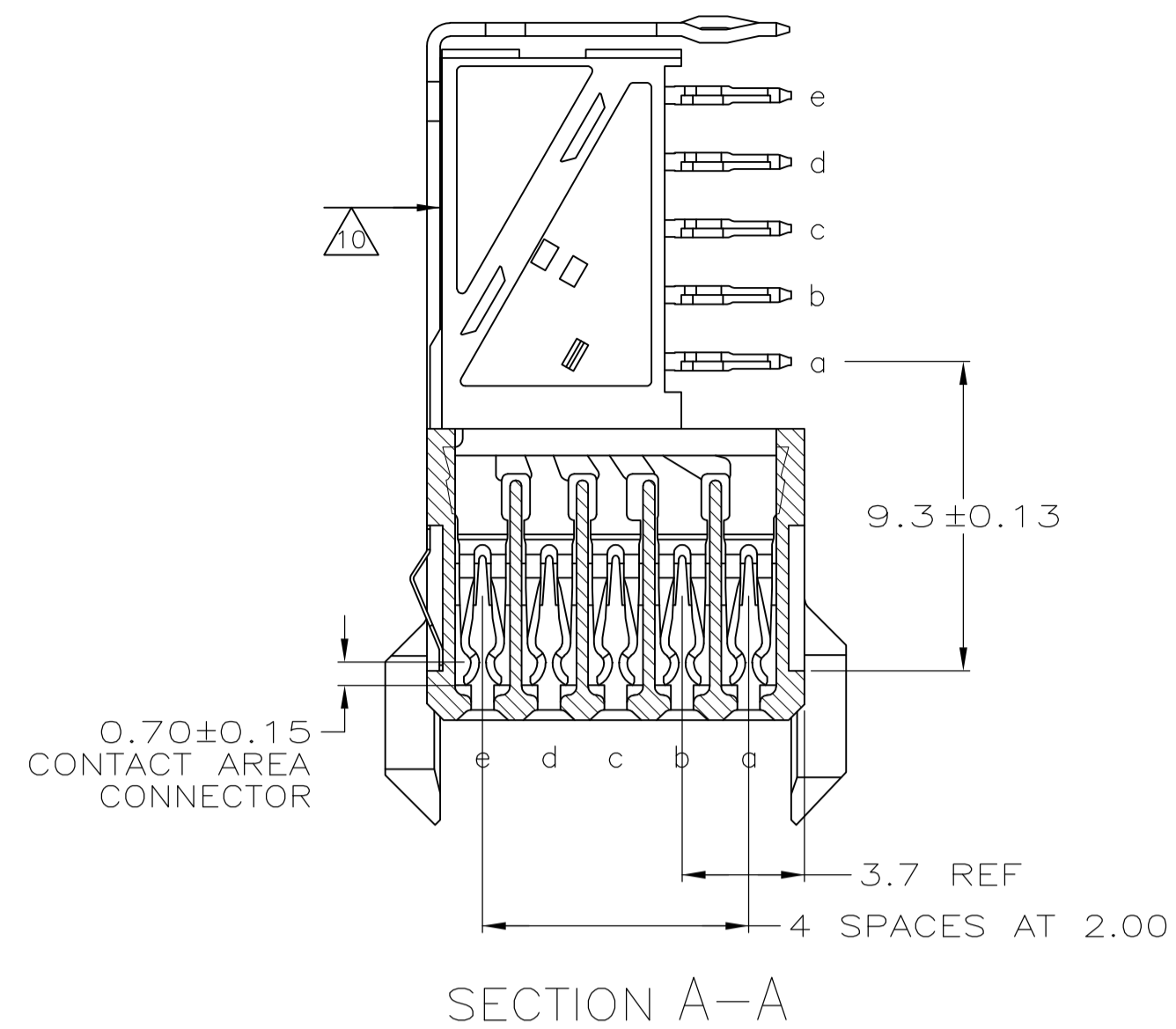
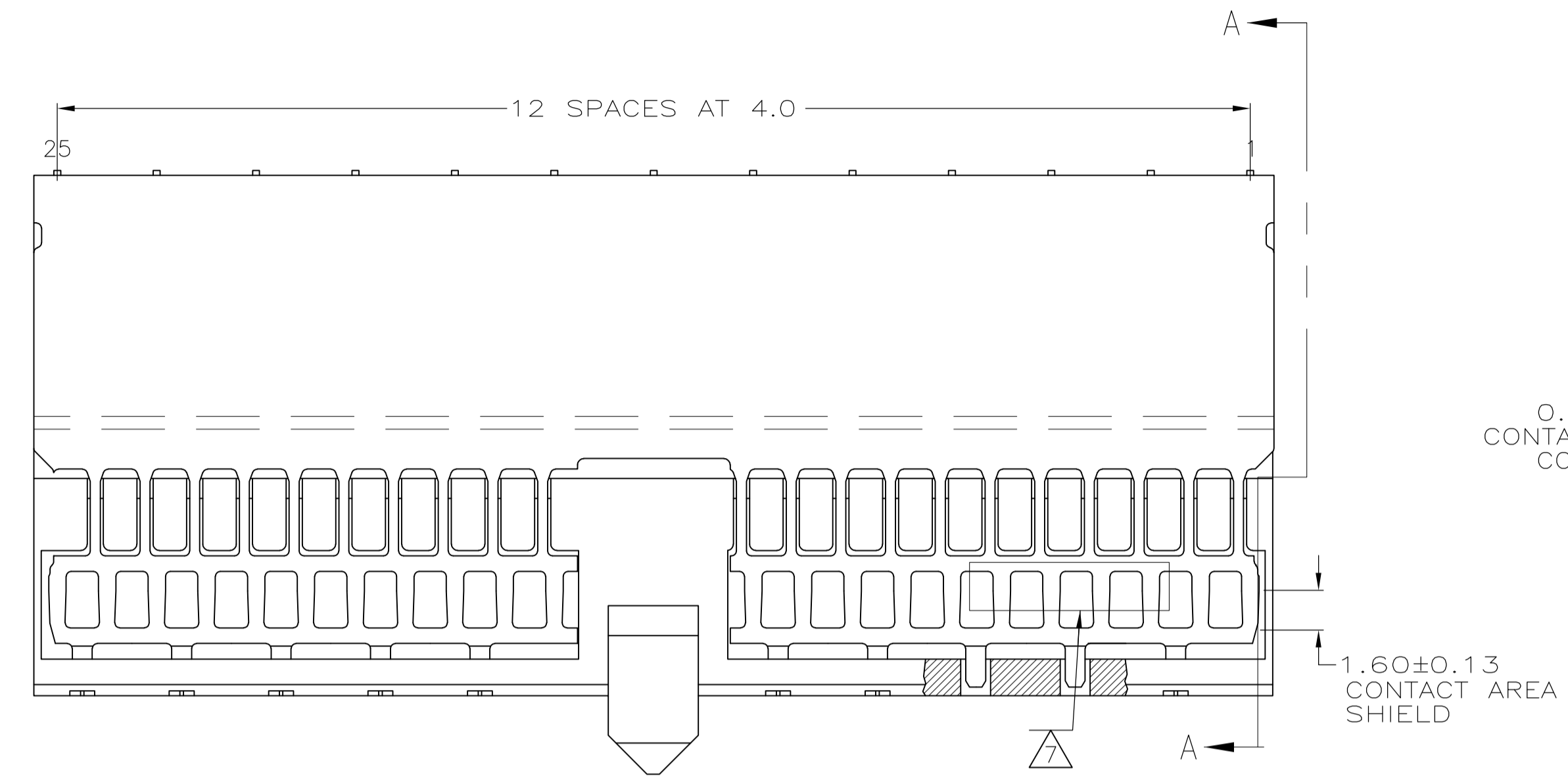
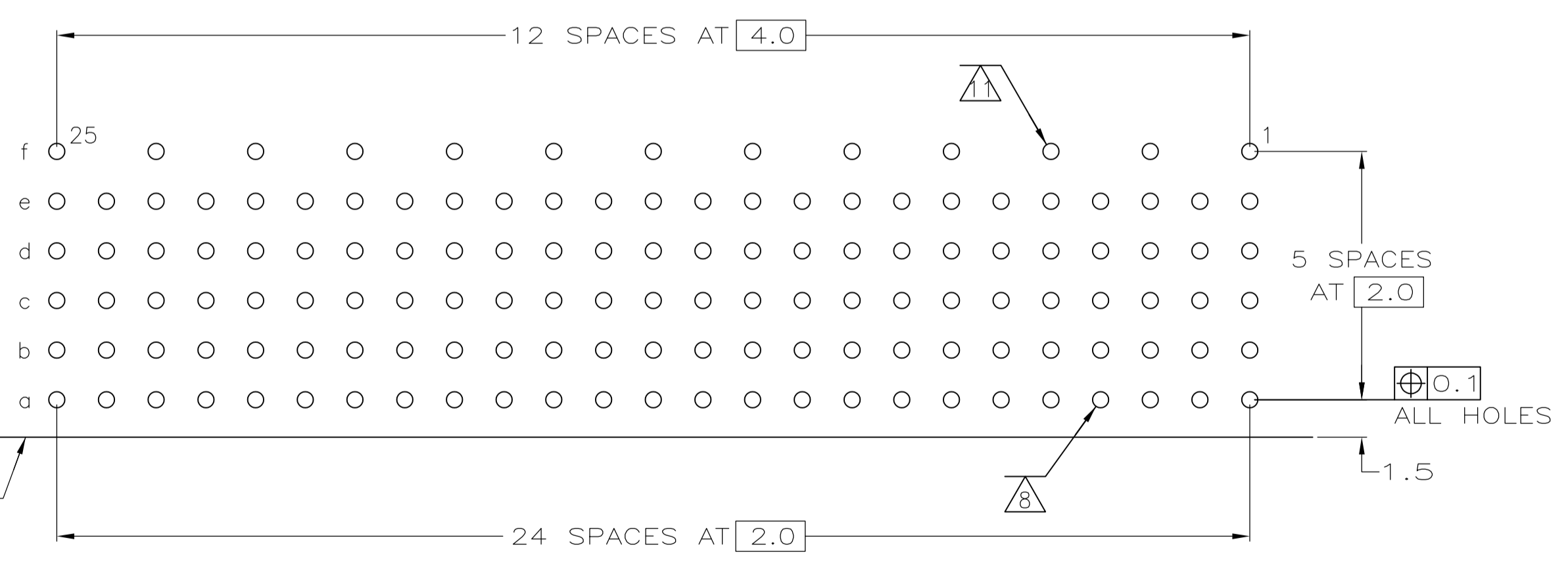
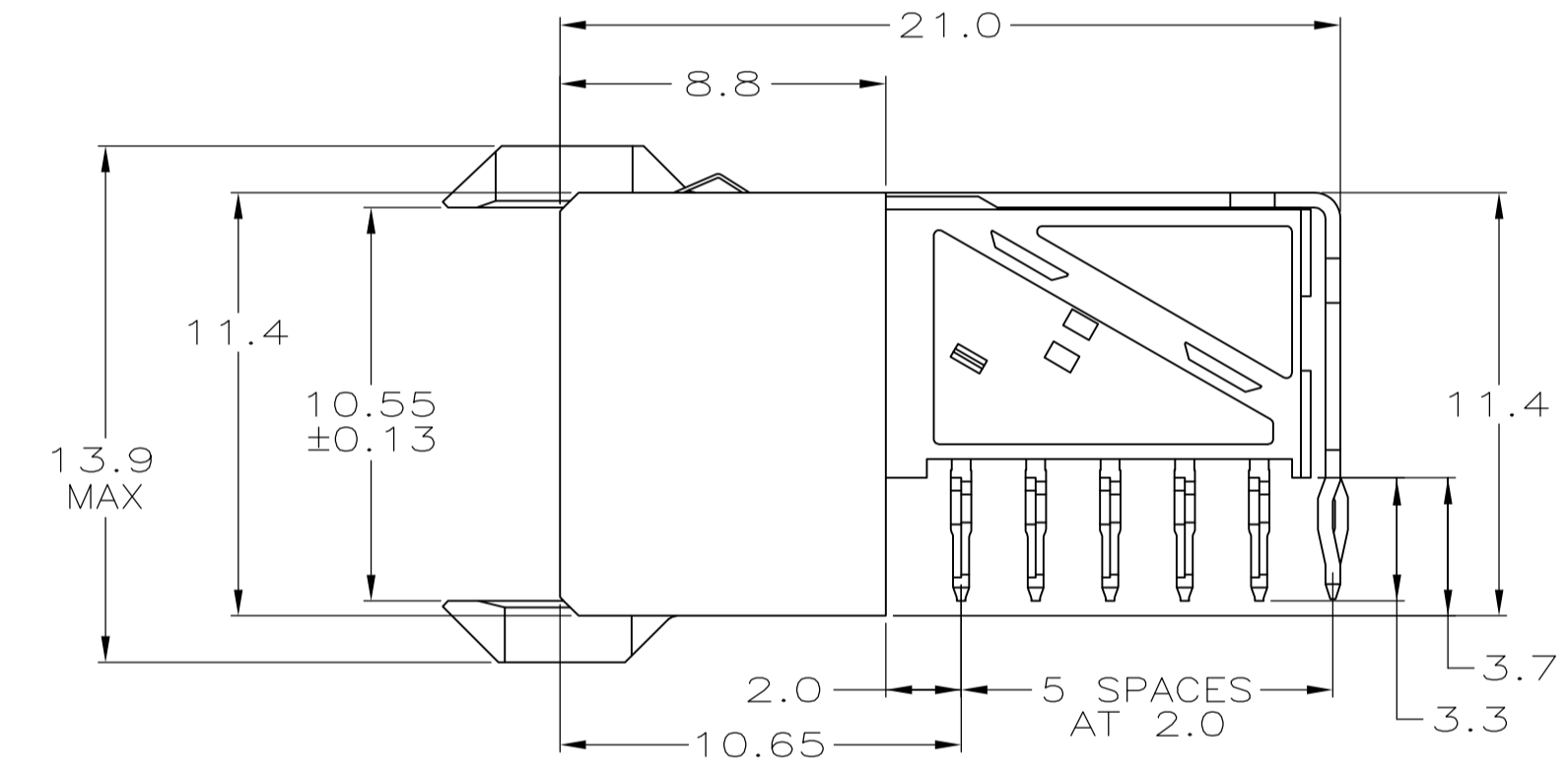
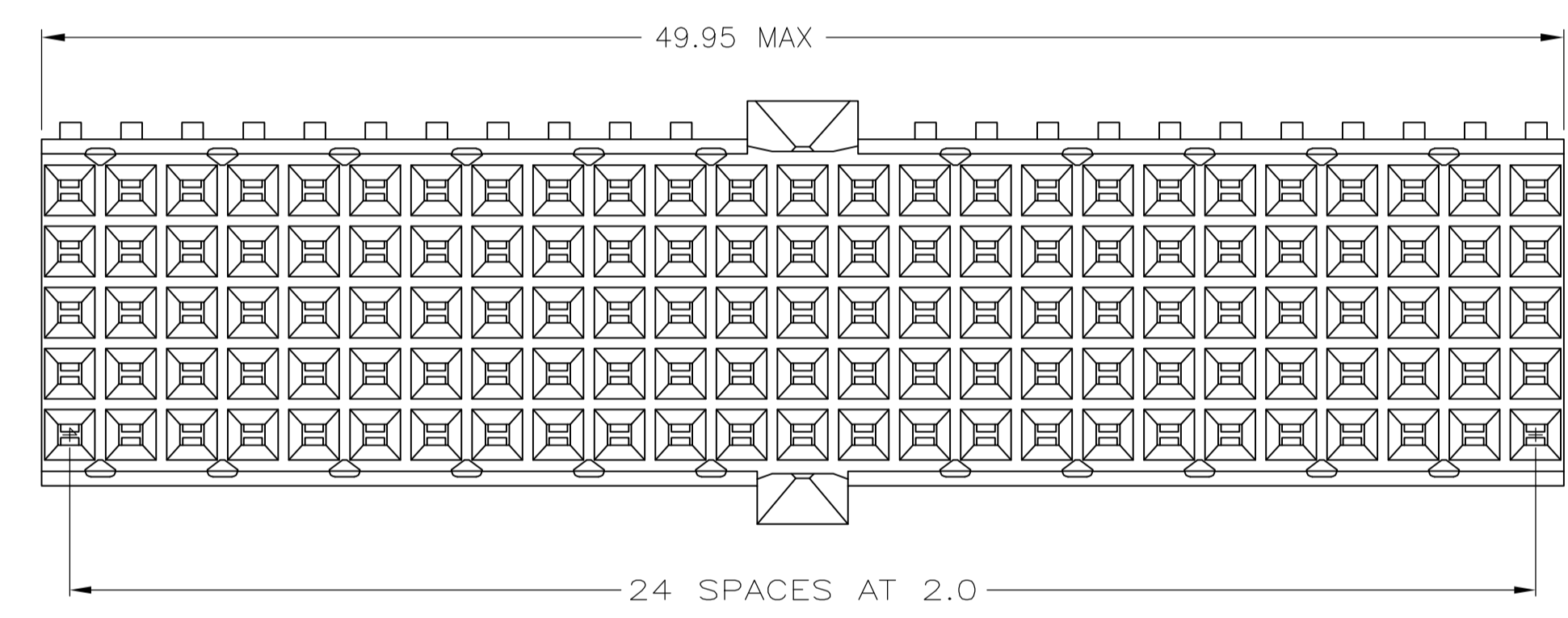


LOC		DIST		REVISIONS			
P	LTR	DESCRIPTION	DATE	DMN	APVD		
D		ECO-12-003005	22FEB2012	SY	MQW		



- 1 MATERIAL:  
CONTACT & SHIELD: PHOSPHOR BRONZE.  
HOUSING: GLASS-FILLED POLYESTER.
- 2 GENERAL PLATING SPECIFICATION: UNDERPLATING  
(ENTIRE CONTACT): 1.27µm MIN NICKEL AND ACTION  
PIN: 0.5µm MIN TIN.  
FOR PLATING OF MATING SURFACES SEE APPLICABLE  
SPECIFICATION REFERENCE FOR EACH DASH NUMBER.
- 3 CONFORMS TO ALL TESTING ACCORDING TO IEC 61076-4-101  
PERFORMANCE LEVEL 2.
- 4 CONFORMS TO ALL TESTING ACCORDING TO IEC 61076-4-101  
PERFORMANCE LEVEL 1.
- 5 CONNECTOR TESTED AND QUALIFIED AGAINST TELCORDIA GR-1217-CORE QUALITY LEVEL 3,  
CENTRAL OFFICE APPLICATIONS.
- 6 CONNECTOR TESTED AND QUALIFIED AGAINST TELCORDIA GR-1217-CORE QUALITY LEVEL 3,  
UNCONTROLLED ENVIROMENT APPLICATIONS.
- 7 CONNECTOR MARKED WITH PART NUMBER AND DATE CODE.  
ADDITIONAL CHARACTERS OR MARKINGS, AS WELL AS THE LOCATION OF THE MARKINGS,  
MAY BE ADDED FOR TRACEABILITY BASED UPON MANUFACTURERS DISCRETION.
- 8 PLATED-THROUGH HOLES AT 2x2mm SQUARE GRID.
- 9 CONNECTOR LUBRICATED WITH BELCORE APPROVED LUBRICANT,  
TECHNICAL REFERENCE: TR-NWT-001217 ISSUE 1, SEP 1992.
- 10 SHIELD MOUNTED ON CONNECTOR WITH DOUBLE SIDED ADHESIVE TAPE OR ADHESIVE.
- 11 ROW "f" 13 PLATED THROUGH HOLES FOR UPPER SHIELD.
- 12 0.76µm MIN. GOLD PLATING AT MATING SURFACES.



COMPONENT SIDE AS SHOWN  
RECOMMENDED PCB HOLE LAYOUT

PLATED THRU HOLES PARAMETERS  
REFERENCE APPLICATION SPECIFICATION

2	3	12	3-5646547-0
2	5	9	1-5646547-9
2	5	9	5646547-9
2	4		5646547-4
2	3		5646547-1
FINISH		PART NUMBER	

THIS DRAWING IS A CONTROLLED DOCUMENT.

DIMENSIONS:	TOLERANCES UNLESS OTHERWISE SPECIFIED:	DIN B. CARDO 29JUL05	APVD G. SKIPPER 29JUL05	NAME	RECEPTACLE ASSEMBLY, Z-PACK
mm	0-PLC ±	0-PLC ±	0-PLC ±	PRODUCT SPEC	108-19082
	1-PLC ±0.2	1-PLC ±0.1	1-PLC ±	APPLICATION SPEC	114-19029
	2-PLC ±	2-PLC ±	2-PLC ±	SIZE	A1
	3-PLC ±	3-PLC ±	3-PLC ±	CAGE CODE	00779
	4-PLC ±	4-PLC ±	4-PLC ±	DRAWING NO	5646547
	ANGLES ±	ANGLES ±	ANGLES ±	RESTRICTED TO	
MATERIAL	FINISH	SEE TABLE	WEIGHT	CUSTOMER DRAWING	SCALE 5:1 SHEET 1 OF 1 REV D

STE TE Connectivity

单击下面可查看定价，库存，交付和生命周期等信息

[>>TE Connectivity\(泰科\)](#)