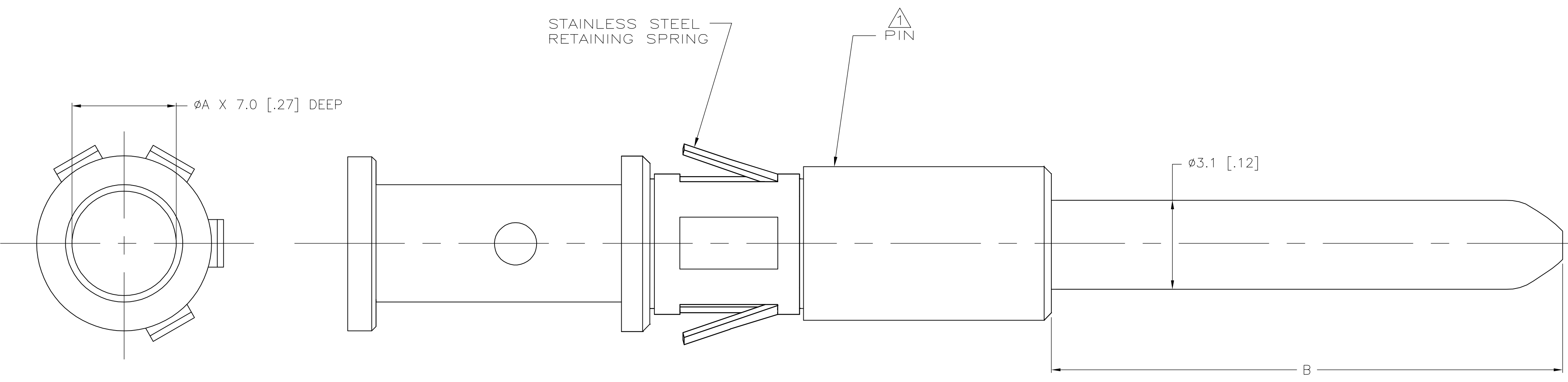


THIS DRAWING IS UNPUBLISHED. RELEASED FOR PUBLICATION
 © COPYRIGHT BY TYCO ELECTRONICS CORPORATION. ALL RIGHTS RESERVED.

LOC	DIST	REVISIONS			
P	LTR	DESCRIPTION	DATE	DWN	APVD
FT	0	G1	REVISED PER ECO-06-29166	12/13/06	SS GS



HOT MATE

NOTE 2	FIRST	13.75 [.541]	Ø3.68 [.145]	#10	1-194189-2
NOTE 2	FIRST	13.75 [.541]	Ø4.60 [.181]	#8	1-194189-1
NOTE 3	SECOND	11.75 [.461]	Ø2.67 [.105]	#12-#14	1-194189-0
NOTE 2	THIRD	9.75 [.384]	Ø2.67 [.105]	#12-#14	194189-9
NOTE 2	THIRD	9.75 [.384]	Ø3.68 [.145]	#10	194189-8
NOTE 2	THIRD	9.75 [.384]	Ø4.60 [.181]	#8	194189-7
NOTE 2	SECOND	11.75 [.461]	Ø2.67 [.105]	#12-#14	194189-6
NOTE 2	FIRST	13.75 [.541]	Ø2.67 [.105]	#12-#14	194189-3
FINISH	MATING SEQUENCE	B	A	WIRE AWG	PART NO.

- 1 MATERIAL: TELLURIUM COPPER.
- 2. FINISH: SILVER PLATE OVER NICKEL PLATE.
- 3. FINISH: GOLD PLATE OVER NICKEL PLATE.

THIS DRAWING IS A CONTROLLED DOCUMENT.		DWN	28/SEP/95	Tyco Electronics Corporation	
D.A.P.		CHK	-	Harrisburg, PA 17105-3608	
DIMENSIONS: mm		APVD	-	NAME	
TOLERANCES UNLESS OTHERWISE SPECIFIED:		PRODUCT SPEC	-	PIN ASSEMBLY, 3 MM	
0 PLC ± -		APPLICATION SPEC	-	SIZE	RESTRICTED TO
1 PLC ± -		WEIGHT	-	A2	-
2 PLC ± -		CUSTOMER DRAWING		CAGE CODE	DRAWING NO
3 PLC ± -		SCALE	-	00779	C=194189
4 PLC ± -		SHEET	1 of 1	REV	G1
ANGLES ± -					
FINISH					

单击下面可查看定价，库存，交付和生命周期等信息

[>>TE Connectivity\(泰科\)](#)