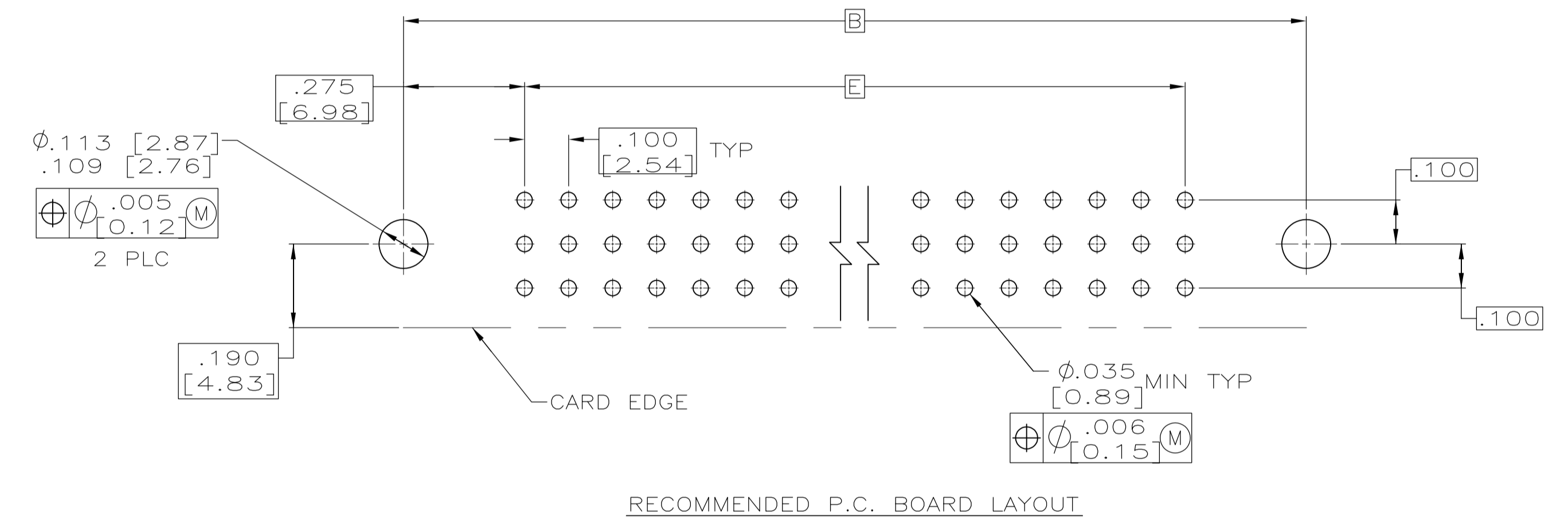
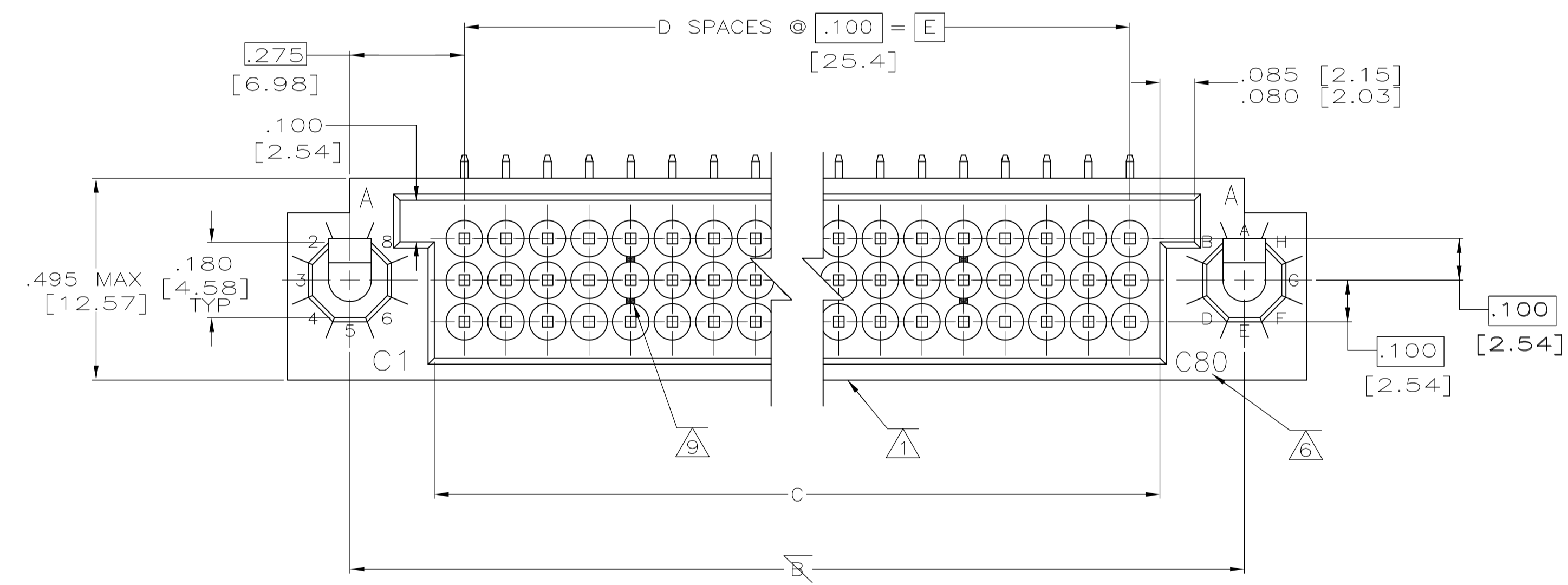
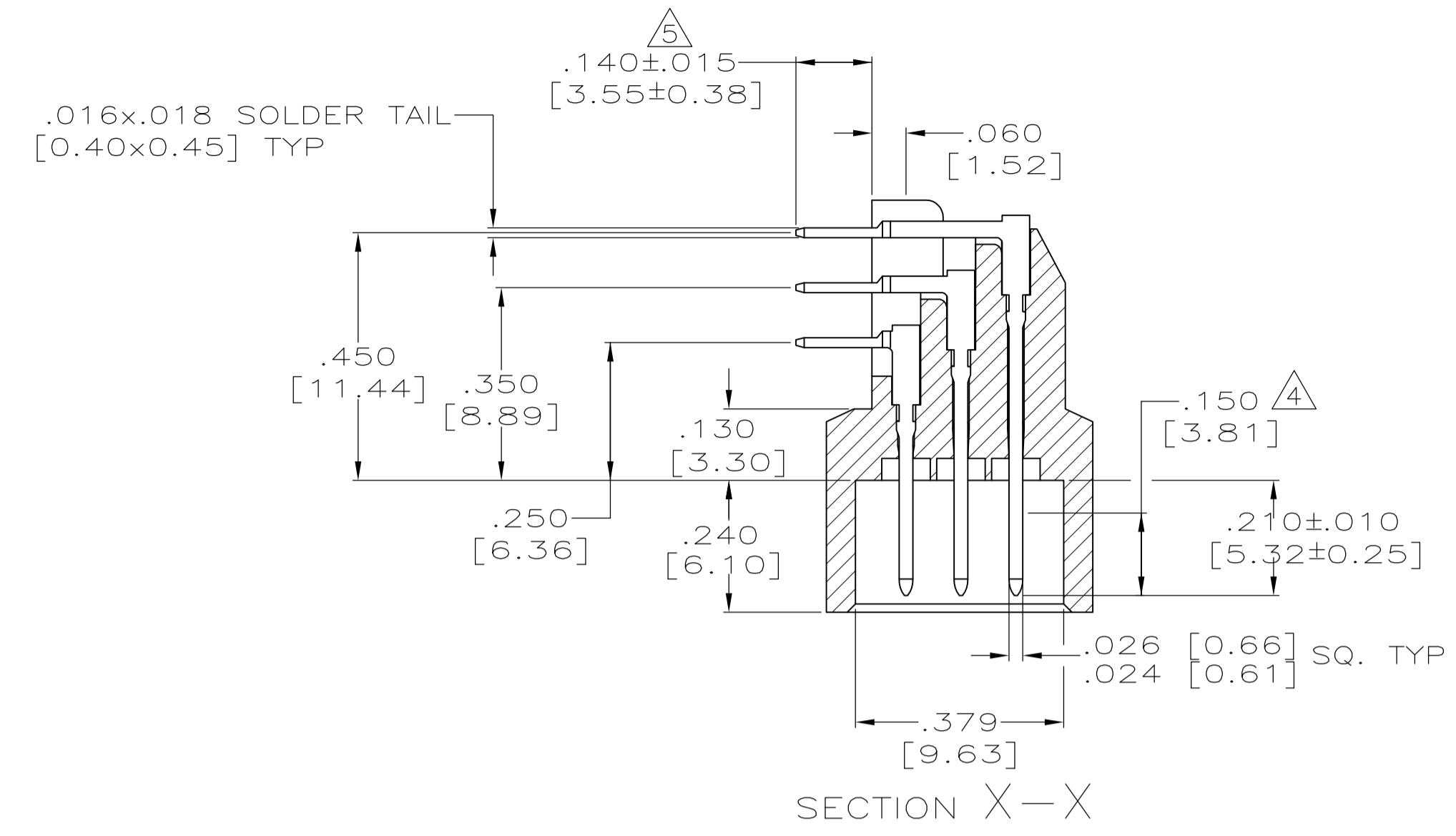
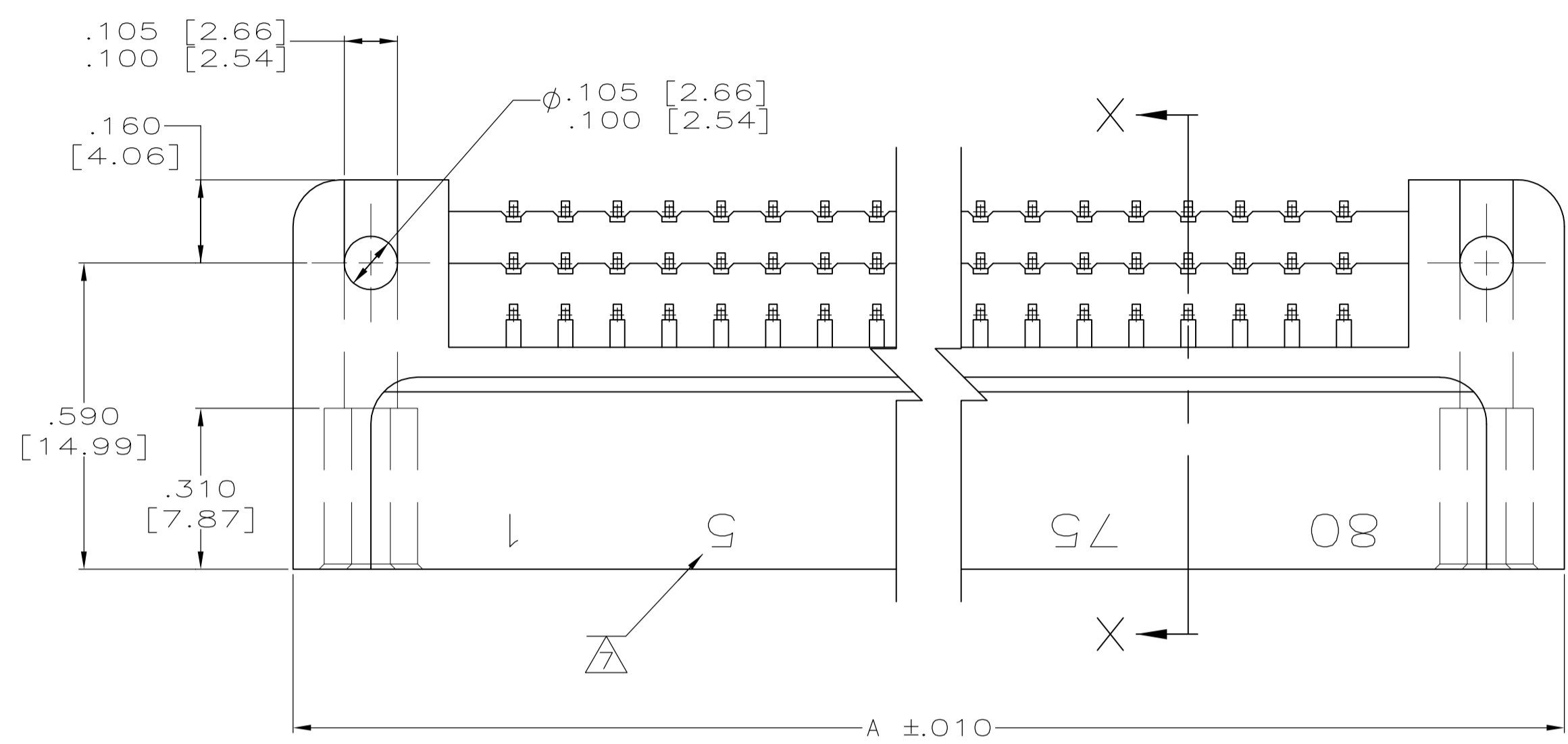


| REVISINS | | DATE | DMN | APVD |
|----------|------|---------------------------|---------|--------|
| LOC | DIST | DESCRIPTION | | |
| DF | FO | | | |
| G1 | | REVISED PER ECO-11-005030 | 23MAR11 | RK HMR |



OBSOLETE

| MILITARY P/N | E | D | C | B | A | POSN. | PART NO. |
|---------------|----------------|----|----------------|----------------|----------------|-------|------------|
| M55302/129-16 | 6.400 [162.56] | 64 | 6.544 [166.21] | 6.950 [176.53] | 7.250 [184.15] | 195 | 1-531133-3 |
| M55302/129-12 | 4.400 [111.76] | 44 | 4.544 [115.41] | 4.950 [125.73] | 5.250 [133.35] | 135 | 1-531133-2 |
| - | 3.600 [91.44] | 36 | 3.744 [95.10] | 4.150 [105.41] | 4.450 [113.03] | 111 | 1-531133-1 |
| - | 4.100 [104.14] | 41 | 4.244 [107.80] | 4.650 [118.11] | 4.950 [125.73] | 126 | 1-531133-0 |
| M55302/129-18 | 7.900 [200.66] | 79 | 8.044 [204.31] | 8.450 [214.63] | 8.750 [222.25] | 240 | 531133-8 |
| M55302/129-17 | 6.900 [175.26] | 69 | 7.044 [178.91] | 7.450 [189.23] | 7.750 [196.85] | 210 | 531133-7 |
| M55302/129-15 | 5.900 [149.86] | 59 | 6.044 [153.51] | 6.450 [163.83] | 6.750 [171.45] | 180 | 531133-6 |
| M55302/129-14 | 5.400 [137.16] | 54 | 5.544 [140.81] | 5.950 [151.13] | 6.250 [158.75] | 165 | 531133-5 |
| M55302/129-13 | 4.900 [124.46] | 49 | 5.044 [128.11] | 5.450 [138.43] | 5.750 [146.05] | 150 | 531133-4 |
| M55302/129-11 | 3.900 [99.06] | 39 | 4.044 [102.71] | 4.450 [113.03] | 4.750 [120.65] | 120 | 531133-3 |
| M55302/129-10 | 3.400 [86.36] | 34 | 3.544 [90.01] | 3.950 [100.33] | 4.250 [107.95] | 105 | 531133-2 |
| M55302/129-09 | 2.900 [73.66] | 29 | 3.044 [77.31] | 3.450 [87.63] | 3.750 [95.25] | 90 | 531133-1 |

- 1 MILITARY PART NO., 00779, DATE CODE, PART NO. AND AMP MARKED THIS SIDE.
- 2 HOUSING MAT'L: POLYPHENYLENE SULFIDE, GST-40F PER MIL-M-24519. COLOR: BROWN
- 3 CONTACT MAT'L: BRASS PER QQ-B-626.
- 4 CONTACT FINISH: .000050" [0.00127] GOLD OVER .000050" [0.00127] NICKEL IN CONTACT AREA.
- 5 CONTACT FINISH: .000100" [0.00254] TIN-LEAD OVER .000050" [0.00127] NICKEL
- 6 LETTERS INDICATING OUTSIDE ROWS AND NUMBERS INDICATING END CAVITIES (ROW C ONLY) MARKED THIS SURFACE.
- 7 NUMBERS INDICATING EVERY FIVE CAVITIES MARKED, BOTH SIDES.
- 8 MEETS ALL REQUIREMENTS OF MIL-C-55302.
- 9 LINES INDICATING EVERY FIVE CAVITIES STAMPED ON MATING FACE, EXCEPT END CAVITIES, STARTING AT POSN. #1.

THIS DRAWING IS A CONTROLLED DOCUMENT.

DIMENSIONS: INCHES[mm]

TOLERANCES UNLESS OTHERWISE SPECIFIED:

| | |
|--------|---------------|
| 0 PLC | ± .005 |
| 1 PLC | ± .005 |
| 2 PLC | ± .005 |
| 3 PLC | ± .005 [0.13] |
| 4 PLC | ± .005 |
| ANGLES | ± .005 |

MATERIAL: Δ 3 FINISH: Δ 3

APPROVED: T. ALEXANDER 8-5-92, D. MILLER 11-10-92, W. FOLEY 11-10-92

NAME: PIN HEADER ASS'Y, RIGHT ANGLE, .100 C/L, WITH MOUNTING EARS

SIZE: A1 CASE CODE: 00779 DRAWING NO: 531133

WEIGHT: --

CUSTOMER DRAWING SCALE: 4:1 SHEET: 1 OF 1 REV: G1

单击下面可查看定价，库存，交付和生命周期等信息

[>>TE Connectivity\(泰科\)](#)