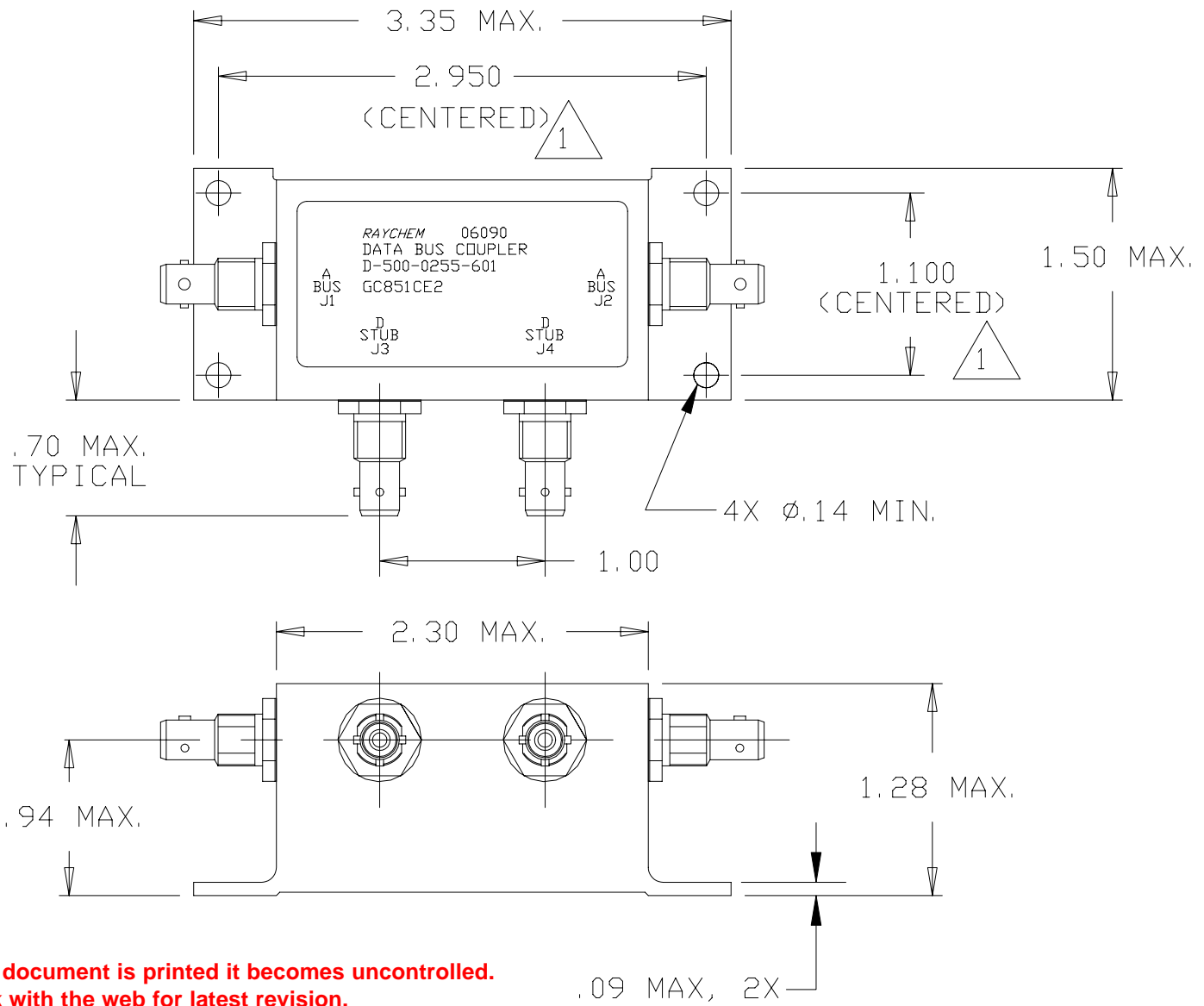


REVISIONS			
LTR	DESCRIPTION	DATE	APPROVED
C	REVISED AND REDRAWN ON CAD PER ECN# T-16598		

NOTES:

1 HOLE PATTERN MACHINED SYMMETRIC WITHIN MOUNTING FLANGE.



SPECIFICATION CONTROL DRAWING © Raychem Corporation 1991

UNLESS OTHERWISE SPECIFIED DIMENSIONS ARE IN INCHES. METRIC DIMENSIONS ARE IN BRACKETS. DECIMALS .XXX ± .005 { — mm } .XX ± .01 { — mm } ANGLES .X — ± — WEIGHT — lbs { — g }	DRAWN	J. B. K.	91 AUG 12	<i>Raychem</i>	RAYCHEM CORPORATION 300 CONSTITUTION DRIVE MENLO PARK, CALIFORNIA 94025				
	CHECKED				TITLE	2 STUB DATA BUS BAYONET COUPLER WITH TRIAXIAL CONNECTORS			
	APPROVED			CAD NAME	9114-1	SIZE	CODE IDENT. NO.	DWG. NO.	REV
	THIRD ANGLE PROJECTION				A	06090	D-500-0255-601	C	
DO NOT SCALE THIS DRAWING						SHEET 1 OF 2			

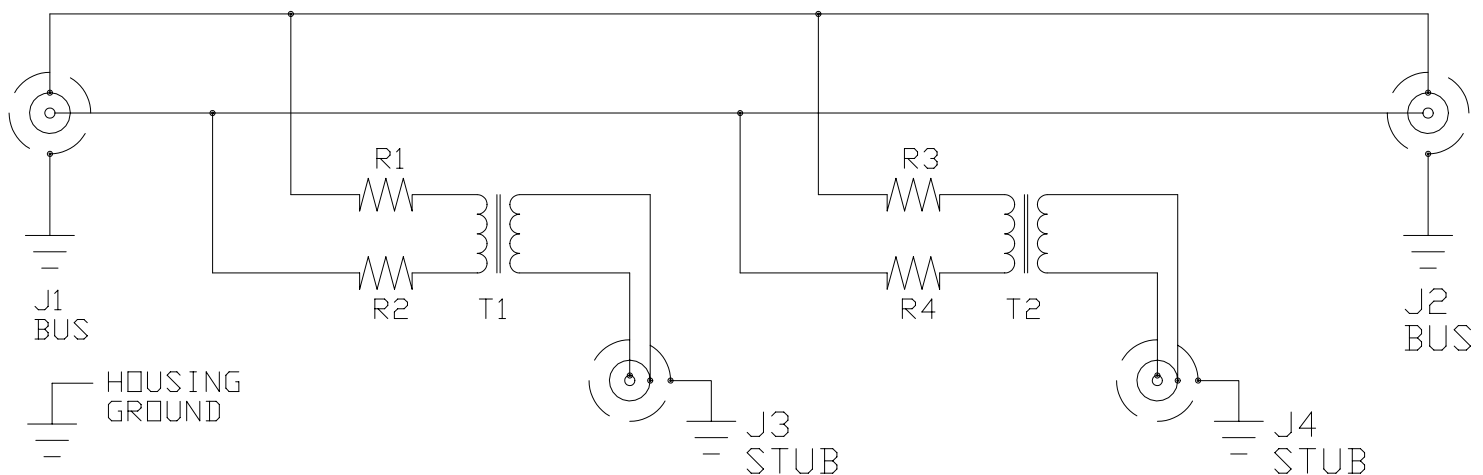
1.0 INTERMATEABILITY

- 1.1 POSITION J1 AND J2 WITH D-602-0127 CONTACT INSTALLED WILL MATE WITH INTERFACE A, WITH D-602-0126 CONTACT INSTALLED.
- 1.2 POSITION J3 AND J4, WITH D-602-0126 CONTACT INSTALLED, WILL MATE WITH INTERFACE D, WITH D-602-0127 CONTACT INSTALLED.

2.0 PERFORMANCE

- 2.1 THIS COUPLER IS DESIGNED TO MEET THE APPLICABLE FUNCTIONAL REQUIREMENT OF RAYCHEM SPECIFICATION D-6021.
- 2.2 THE COUPLER SHALL OPERATE UNDER ANY OF THE ENVIRONMENTAL SERVICE CONDITIONS AS SPECIFIED IN MIL-C-39012 FOR NON-HERMETIC PART.
- 2.3 ALTITUDE: SEA LEVEL TO 50,000 FEET
- 2.4 OPERATING TEMPERATURE RANGE: -55°C TO $+125^{\circ}\text{C}$
- 2.5 ELECTRICAL REQUIREMENTS: PER PARA(S). 3.6.1 THRU 3.6.7 AND 3.6.11 THRU 3.6.12 OF RAYCHEM SPECIFICATION D-6020
- 2.6 SALT SPRAY CORROSION RESISTANCE: 500 HOURS

SCHEMATIC DIAGRAM



**If this document is printed it becomes uncontrolled.
Check with the web for latest revision.**

CAD NAME: 9114-2

DRAWN

J. B. K.

91 AUG 12

SIZE

CODE IDENT. NO.

DWG. NO.

REV

A

06090

D-500-0255-601

C

ISSUED

DO NOT SCALE THIS DRAWING

SHEET 2 OF 2

单击下面可查看定价，库存，交付和生命周期等信息

[>>TE Connectivity\(泰科\)](#)