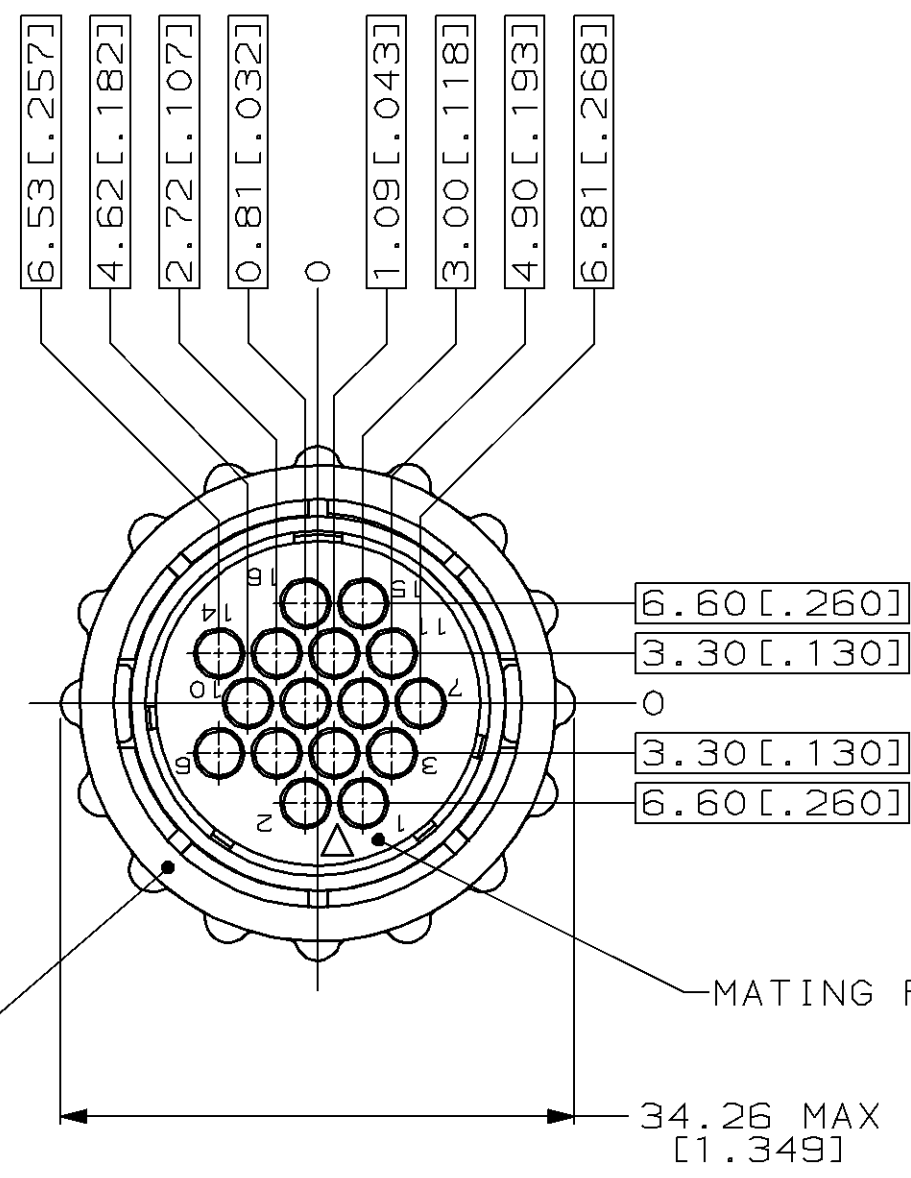


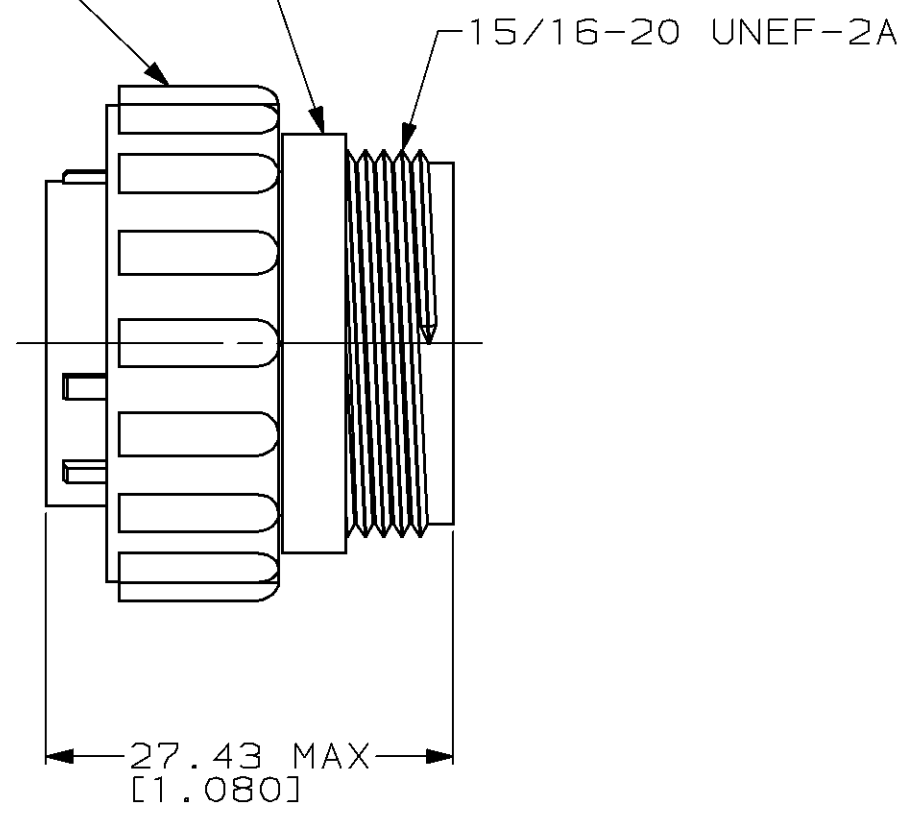
THIS DRAWING IS UNPUBLISHED. RELEASED FOR PUBLICATION  
 © COPYRIGHT 19 BY AMP INCORPORATED. ALL INTERNATIONAL RIGHTS RESERVED.

LOC	DIST	P	F	ZONE	LTR	DESCRIPTION	DATE	APPD
FT	4				F	REDRAWN W/O CHANGE PER EC 0020-600-94	06/17/94	AF
					G	REV PER EC 0020-568-95	19 JUL 95	AF
					H	REV PER EC 0320-244-97	06 OCT 97	KD



PLUG HOUSING  
 MATERIAL: GLASS FILLED NYLON,  
 6/6, BLACK

COUPLING RING  
 MATERIAL: POLYESTER, BLACK



AMP PART NO & DATE CODE  
 THIS SURFACE

34.26 MAX DIA  
 [1.349]

- CONTACT CAVITIES IDENTIFIED BY CHARACTERS ON FRONT AND REAR FACES OF CONNECTOR.
- WILL ACCEPT SIXTEEN (16) MULTIMATE SOCKET CONTACTS.

DO NOT SCALE PRINT. UNLESS SPECIFIED DIMENSIONS IN mm [INCHES] TOLERANCES ON:		DR 06-17-94 D.HARDY		206554-1	
2 PLC DEC ± -		CHK 06-24-94 R.STONE		PART NO	
3 PLC DEC ± -		APPD 08-09-94 A.FRANTUM		AMP Incorporated Harrisburg, PA 17105-3608	
ANGLES ± -		APPD 08-09-94 A.FRANTUM		NAME	
MATERIAL		PRODUCT SPEC		PLUG ASSEMBLY, STANDARD SEX, 17-16, CPC	
SEE CALLOUTS		APPLICATION SPEC		SIZE	
FINISH		WEIGHT		CAGE CODE	
-		-		00779	
-		-		DRAWING NO	
-		-		G=206554	
-		SCALE 2:1		SHEET 1 OF 1	

THIS DRAWING IS A CONTROLLED DOCUMENT FOR AMP INCORPORATED. IT IS SUBJECT TO CHANGE AND THE CONTROLLING ENGINEERING ORGANIZATION SHOULD BE CONTACTED FOR THE LATEST REVISION.

单击下面可查看定价，库存，交付和生命周期等信息

[>>TE Connectivity\(泰科\)](#)