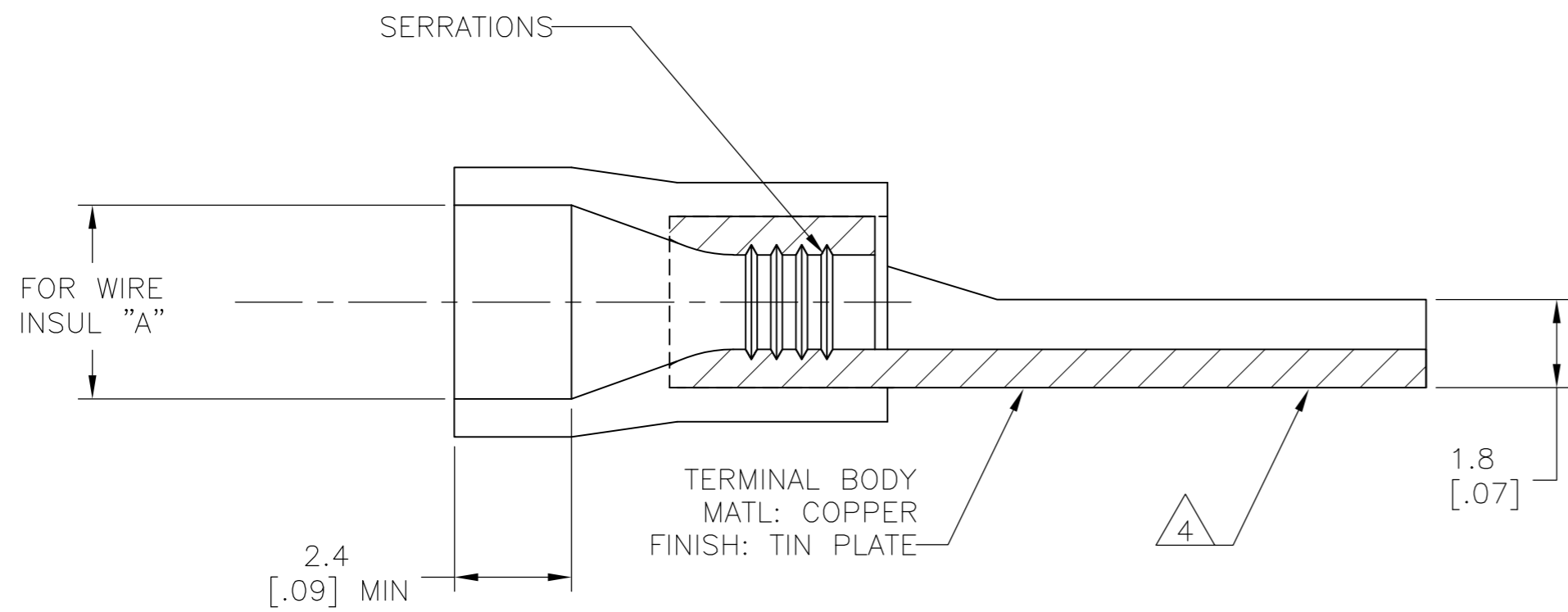
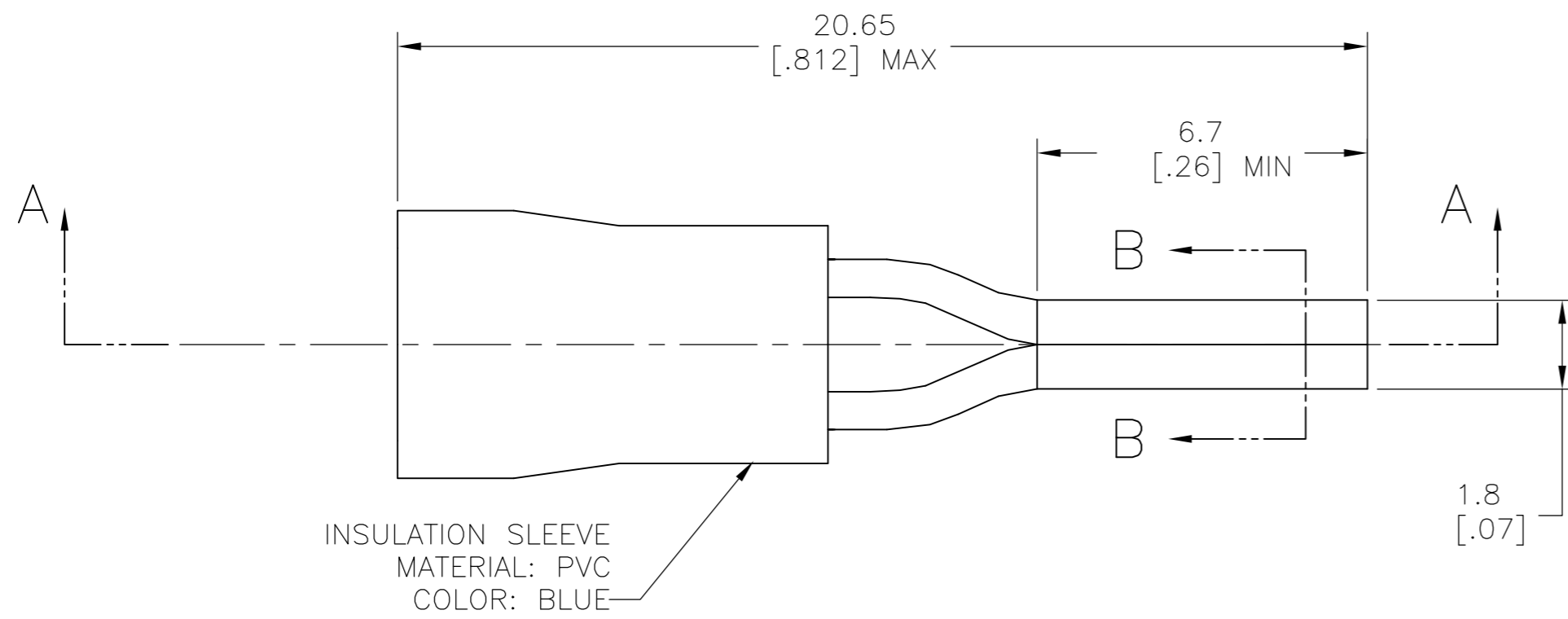
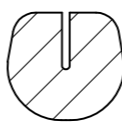


THIS DRAWING IS UNPUBLISHED. RELEASED FOR PUBLICATION
 © COPYRIGHT - By - ALL RIGHTS RESERVED.

LOC	DIST	REVISIONS					
		P	LTR	DESCRIPTION	DATE	DWN	APVD
G	14		K2	REVISED PER ECO-14-003208	13MAR2014	NK	DR



SECTION A-A


SECTION B-B

- 1 PRELIMINARY - NOT FOR PRODUCTION
- 2 SUPERSEDED BY 165075
- 3 MAX RECOMMENDED OPERATING TEMPERATURE 105°C [221°F]
- 4 STAMP AMP 16-14* APPROX AS SHOWN

AMP WIRE RANGE	RU FILE E13288
16-14 AWG STRANDED	16-14 AWG STRANDED

-	-	2.92-4.83 [.115-.190]	1	2-165075-0
-	-	2.92-4.32 [.115-.170]	2	165075-1
1000	LOOSE PIECE	2.92-4.83 [.115-.190]		165075
QTY	PACKAGE TYPE	FOR WIRE INSULATION "A"		PART NO

THIS DRAWING IS A CONTROLLED DOCUMENT.		DWN jr ruth 04JUN07	TE Connectivity	
DIMENSIONS: mm [INCHES]		CHK T MICHELUTTI 04JUN07	NAME	
TOLERANCES UNLESS OTHERWISE SPECIFIED:		APVD T MICHELUTTI 04JUN07	PRODUCT SPEC	
0 PLC ± -		APPLICATION SPEC		
1 PLC ± 0.5[.02]		WEIGHT		
2 PLC ± 0.20[.007]		SCALE 8:1		
3 PLC ± -		SHEET 1 of 1		
4 PLC ± -		REV K2		
ANGLES ± 1°		CUSTOMER DRAWING		
FINISH		SIZE CAGE CODE DRAWING NO RESTRICTED TO		
-		A2 00779 C=165075 -		

单击下面可查看定价，库存，交付和生命周期等信息

[>>TE Connectivity\(泰科\)](#)