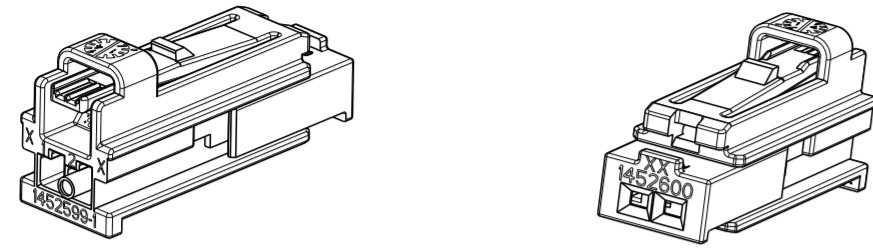


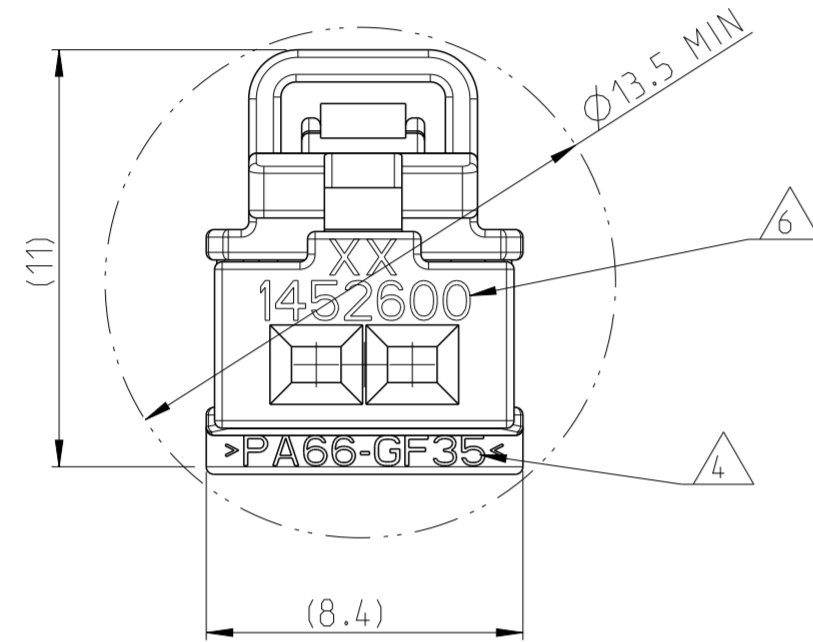
THIS DRAWING IS UNPUBLISHED. RELEASED FOR PUBLICATION 2002
 © COPYRIGHT 2002 BY - ALL RIGHTS RESERVED.

REVISIONS					
P	LTR	DESCRIPTION	DATE	DWN	APVD
B		SEE ECR-07-000103	03JAN2007	HM	GS
B1		ECR-14-016796	11NOV2014	SS	KR
B2		ECR-19-007011	19JULY2019	KC	RS

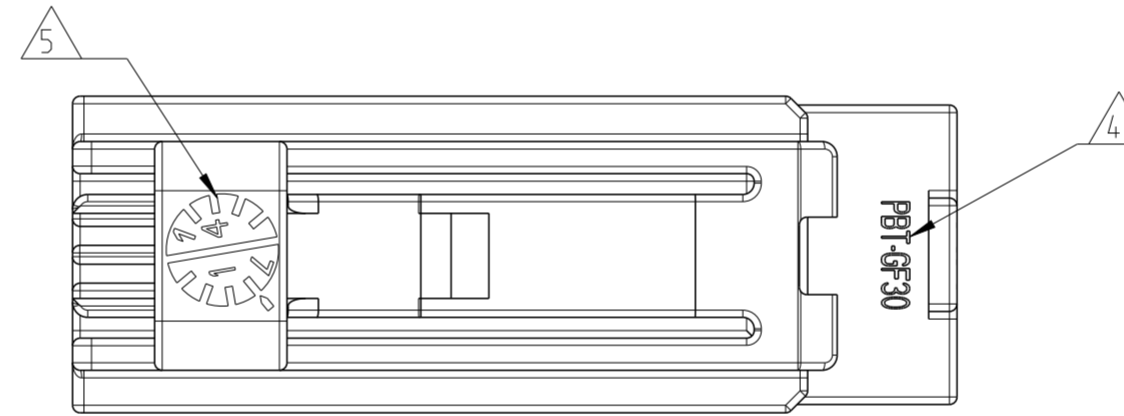
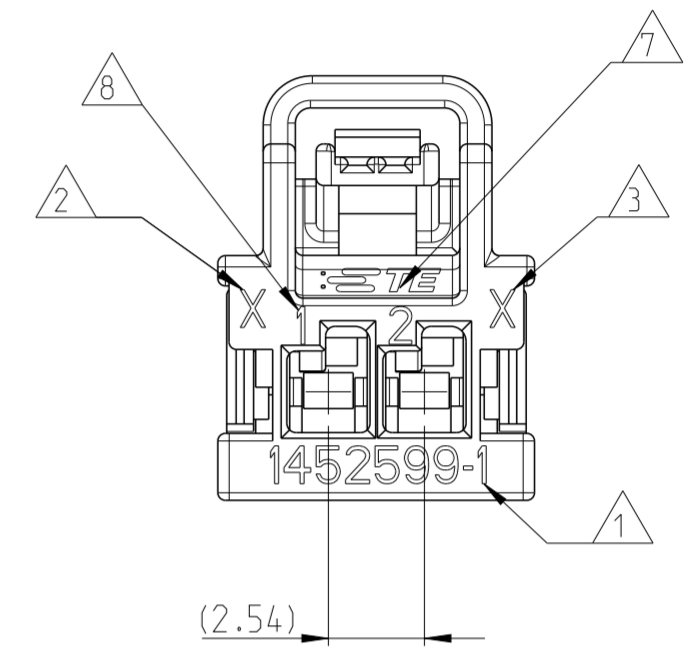
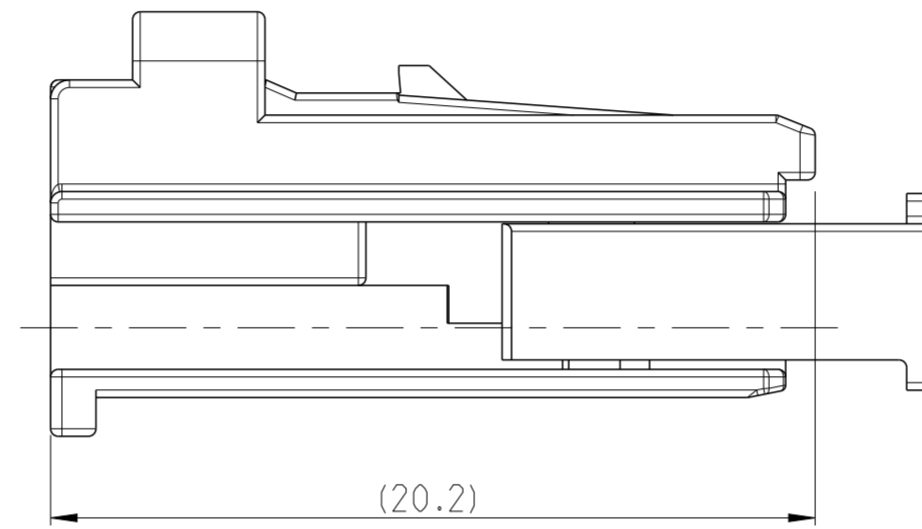


2:1

2:1



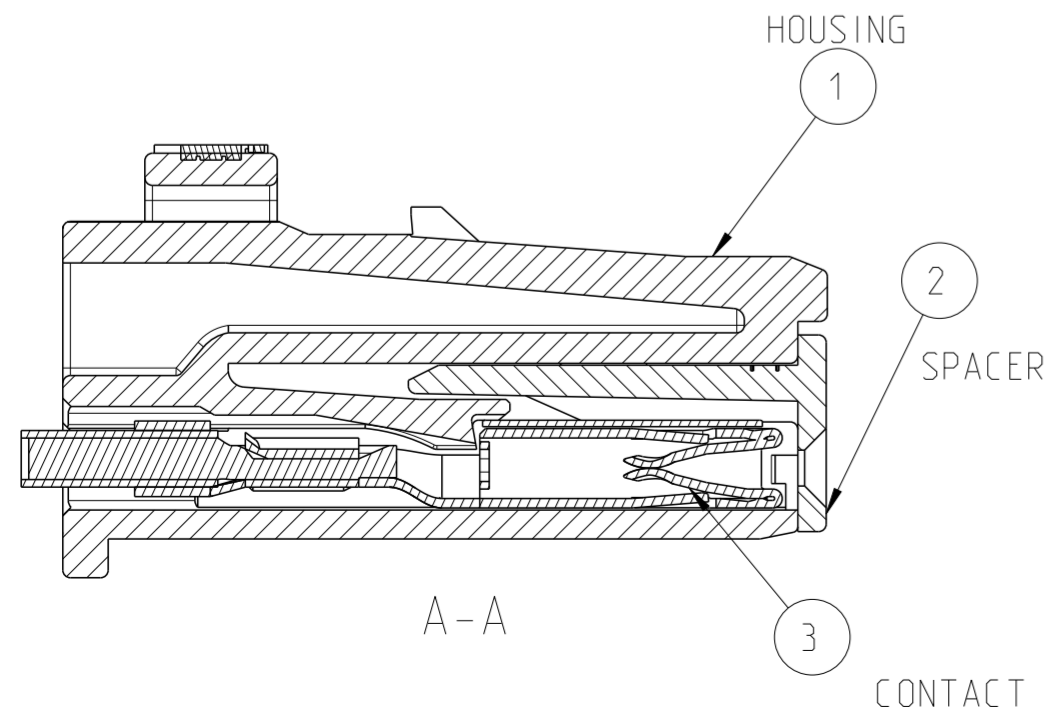
SPACER IN PRE-LOCK POSITION



NOTES:

- Bemerkungen:
- 1 TE-PART NUMBER HOUSING
TE-TeilenummerGehäuse
 - 2 CAVITY MARKING
Nestmarkierung
 - 3 REVISION OF PART
Änderungsindex des Teiles
 - 4 MATERIAL IDENTIFICATION
Werkstoffkennzeichnung
 - 5 PRODUCTION-DATE WITH DATE INSERT Ø 3mm
Produktionsdatum mit Datumsuhr Ø 3mm
 - 6 TE-PART NUMBER SPACER
TE-Teile Nummer SPACER
 - 7 TE LOGO
TE Logo
 - 8 TERMINAL POSITION NUMBER
Kontaktkammer Nummer
- 7 DELIVERY CONDITION: SPACER IN PRE-INSTALLED POSITION
LIEFERBEDINGUNGEN: SPACER IN VORRASTSTELLUNG
- B2 8 REFER TO PACKAGING SPECIFICATION 107-90559
Siehe Verpackung Spezifikation 107-90559

THE CONTACT IS NOT A PART OF THE DELIVERY ASSY.



APPLICABLE FEMALE-CONTACTS TE-PN
0-1393364-1
0-1393365-1
0-1393366-1
0-1393367-1

ASSY PART- NO	ASSY- REV.	QTY REQD PER ASSY	PART NO	DESCRIPTION	MATERIAL	COLOUR	ITEM NO
0-1452598-2	B	1x	0-1452600-1	SPACER	PBT-GF30	RED	2
			0-1452599-2	FEMALE HOUSING	PA66-GF35	NATURAL	1
0-1452598-1	B	1x	0-1452600-1	SPACER	PBT-GF30	RED	2
			0-1452599-1	FEMALE HOUSING	PA66-GF35	BLACK	1

THIS DRAWING IS A CONTROLLED DOCUMENT.

DWN: K.ROTH 21JUN2002
 CHK: G.STEINBACH 02AUG2002
 APVD: G.MUMPER 02AUG2002

TE Connectivity

NAME: 1X2 POS GET FEMALE HOUSING ASSEMBLY UNSEALED

SIZE: A2 CAGE CODE: 100779 DRAWING NO: 1452598 RESTRICTED TO: -

Customer Drawing SCALE: 5:1 SHEET: 1 OF 1 REV: B2

单击下面可查看定价，库存，交付和生命周期等信息

[>>TE Connectivity\(泰科\)](#)