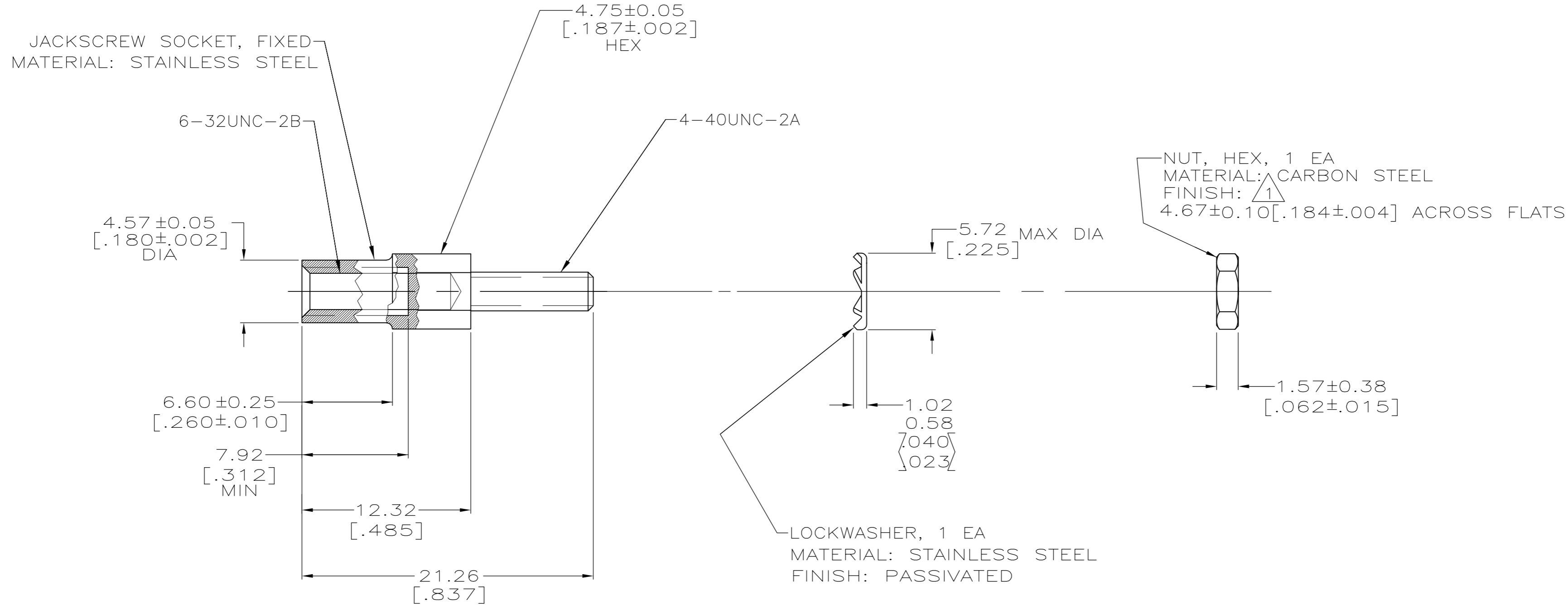


THIS DRAWING IS UNPUBLISHED. RELEASED FOR PUBLICATION
 © COPYRIGHT BY TYCO ELECTRONICS CORPORATION. ALL INTERNATIONAL RIGHTS RESERVED.

LOC	DIST	REVISIONS			
P	LTR	DESCRIPTION	DATE	DWN	APVD
FT	0	N	REVISED PER ECO-10-021995	12JAN11	HMR/MC

1 ZINC PLATED



	201089-4
SUPERSEDED BY 201089-4	201089-1
	PART NUMBER

THIS DRAWING IS A CONTROLLED DOCUMENT.		DWN D.BROCKWAY 01-18-95	Tyco Electronics Corporation Harrisburg, PA 17105-3608	
DIMENSIONS: mm [INCHES]		CHK R.STONE 01-20-95	NAME JACKSCREW KIT, UNASSEMBLED, FIXED, M SERIES	
TOLERANCES UNLESS OTHERWISE SPECIFIED:		APVD -	SIZE A2	
0 PLC ± -		PRODUCT SPEC -	CAGE CODE 00779	DRAWING NO C=201089
1 PLC ± -		APPLICATION SPEC -	RESTRICTED TO -	
2 PLC ± 0.13 [.005]		WEIGHT -	SCALE 4:1	SHEET 1 OF 1
3 PLC ± -		CUSTOMER DRAWING		
4 PLC ± -		REV N		
ANGLES ± -				
FINISH SEE CALLOUT				
MATERIAL SEE CALLOUT				

单击下面可查看定价，库存，交付和生命周期等信息

[>>TE Connectivity\(泰科\)](#)