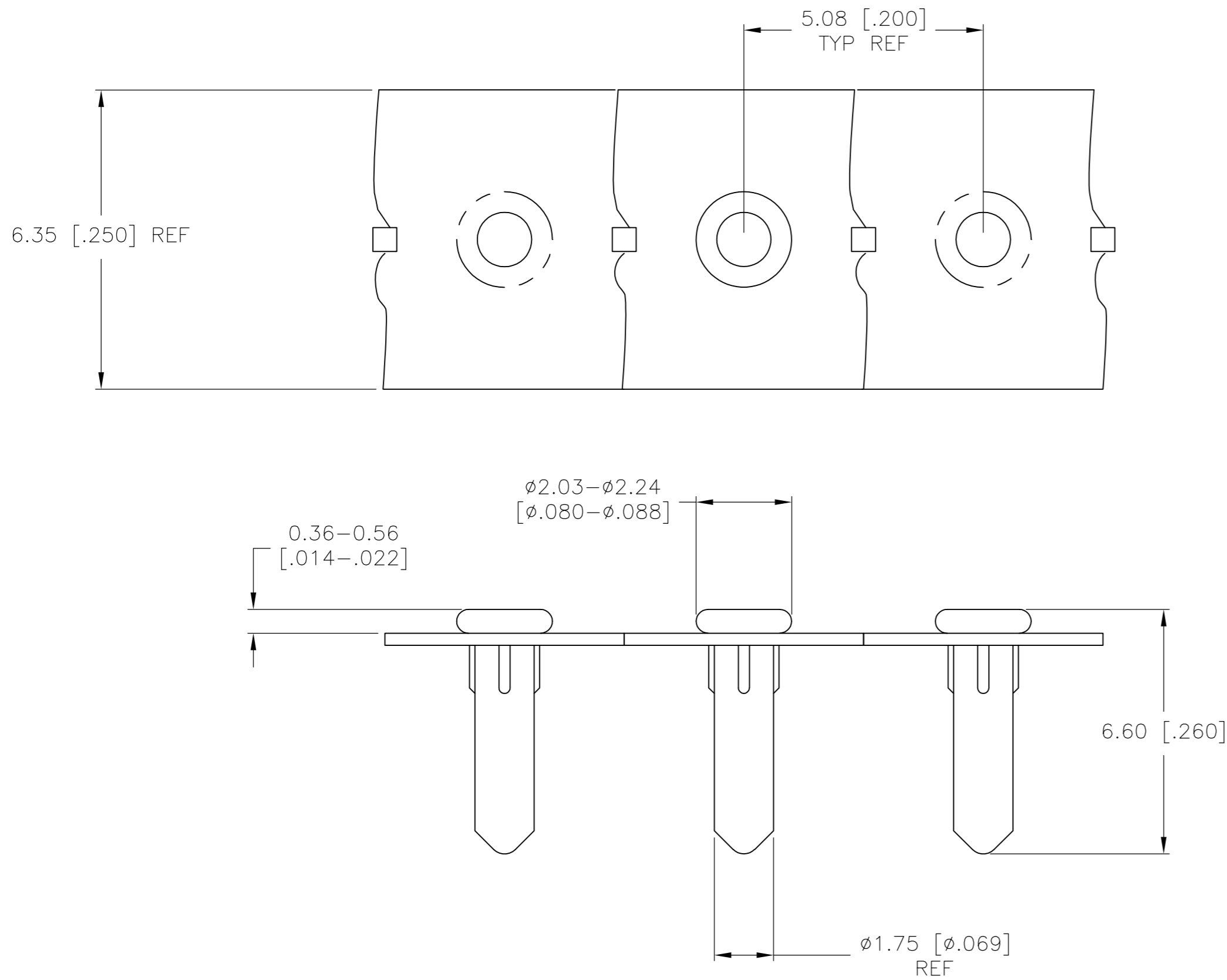
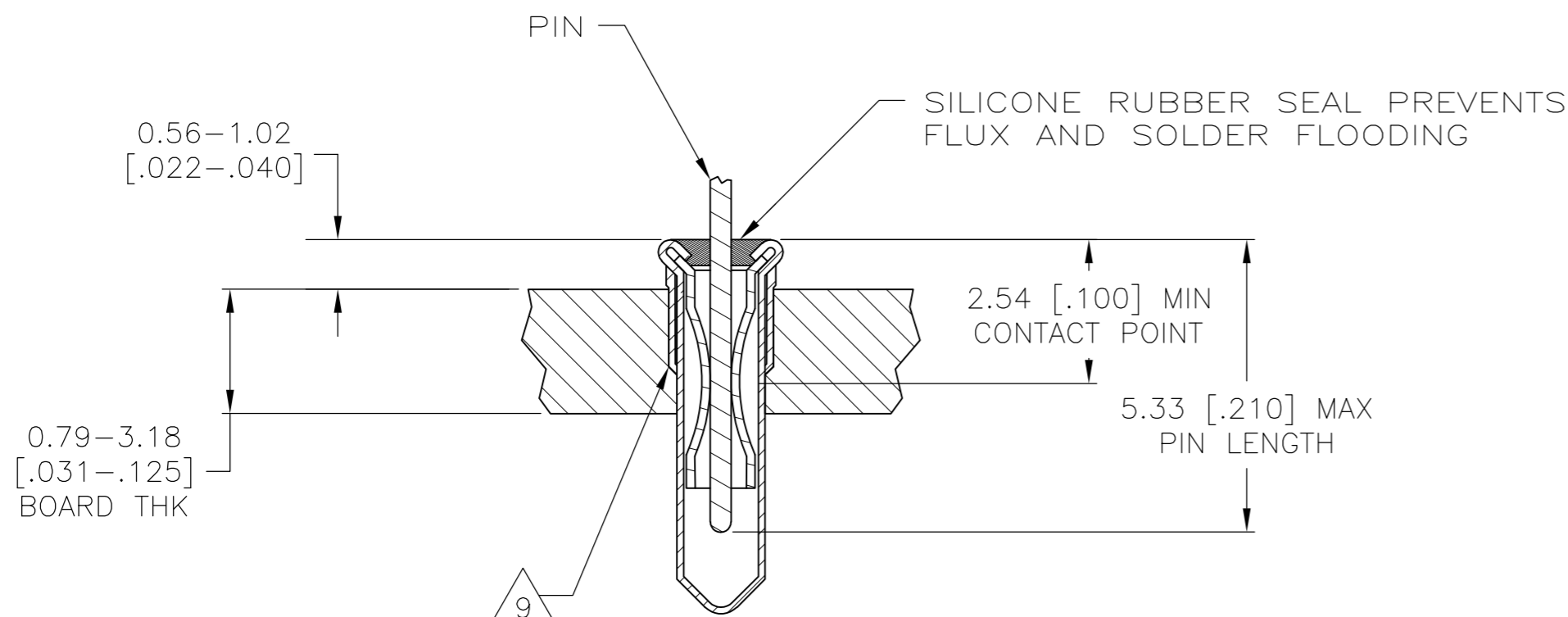


THIS DRAWING IS UNPUBLISHED. RELEASED FOR PUBLICATION
 © COPYRIGHT BY TYCO ELECTRONICS CORPORATION. ALL RIGHTS RESERVED.

LOC	DIST	REVISIONS					
AG	53	P	LTR	DESCRIPTION	DATE	DWN	APVD
		H		REV PER ECO-09-026264	09MAR2010	HMR	DB



- 1 MATERIAL:
EYELET- COPPER(QQ-C-576)
SPRING- BERYLLIUM-COPPER (QQ-C-533)
SEALANT- SILICONE RUBBER
- 2 TIN PLATE (MIL-T-10727) 0.00381 [0.000150]
MINIMUM THICKNESS.
- 3 TIN PLATE (MIL-T-10727) 0.00254 [0.000100]
MINIMUM THICKNESS.
- 4 NICKEL UNDERPLATE ALL OVER, MATING SURFACE PLATED TO MEET
PERFORMANCE REQUIREMENTS OF TYCO PRODUCT SPECIFICATION
108-14008.
- 5 PACKAGED 10,000 PER REEL.
- 6 TO ENSURE 1/2 OZ MIN RETENTION, DO NOT
EXCEED 0.50 [0.002] DIFFERENCE IN PIN DIA
WHEN CHANGING TO A SMALLER DIA PIN.
- 7. APPLICATION TOOLING: MACHINE NO.- 817917-4.
- 8 TIN-LEAD PLATE 0.00381 [0.000150]
MINIMUM THICKNESS.
- 9 SHOULDER ON SOCKET PROVIDES RETENTION IN THE
P.C. BOARD. THE RECOMMENDED HOLE DIAMETER IS
1.75 [0.069] MINIMUM, + 0.08 [0.003] MAXIMUM
PRIOR TO SOLDERING.
- 10 PACKAGED 50,000 PER REEL.
- 11 PACKAGED 100,000 PER REEL.
- 12 PRELIMINARY - NOT RELEASED FOR PRODUCTION.



OBSOLETE	11, 12	0.94-1.04 [0.037-0.041]	TIN	TIN	1-645501-5
	10	0.94-1.04 [0.037-0.041]	TIN	TIN	1-645501-4
	5	0.94-1.04 [0.037-0.041]	GOLD	TIN	1-645501-3
	5	0.94-1.04 [0.037-0.041]	TIN	TIN	1-645501-2
	5	0.94-1.04 [0.037-0.041]	GOLD	TIN	1-645501-1
REMARKS	PIN DIA	SPRING FINISH	EYELET FINISH	PART NO.	

THIS DRAWING IS A CONTROLLED DOCUMENT.		DWN	3-9-90	Tyco Electronics Corporation Harrisburg, Pa 17105-3608		
DIMENSIONS: mm [INCHES]		CHK	3-13-90	MINIATURE SPRING SOCKET ASSY SERIES 4		
TOLERANCES UNLESS OTHERWISE SPECIFIED:		APVD	-	RESTRICTED TO		
0 PLC	± -	PRODUCT SPEC	108-14008	SIZE	CAGE CODE	DRAWING NO
1 PLC	± -	APPLICATION SPEC	114-26004	A2	00779	C=645501
2 PLC	± -	MATERIAL	SEE TABLE	WEIGHT	-	SCALE
3 PLC	± 0.20[0.008]	FINISH	SEE TABLE	CUSTOMER DRAWING	-	10:1
4 PLC	± -			SHEET	1 OF 1	REV
ANGLES	± -			H		

单击下面可查看定价，库存，交付和生命周期等信息

[>>TE Connectivity\(泰科\)](#)