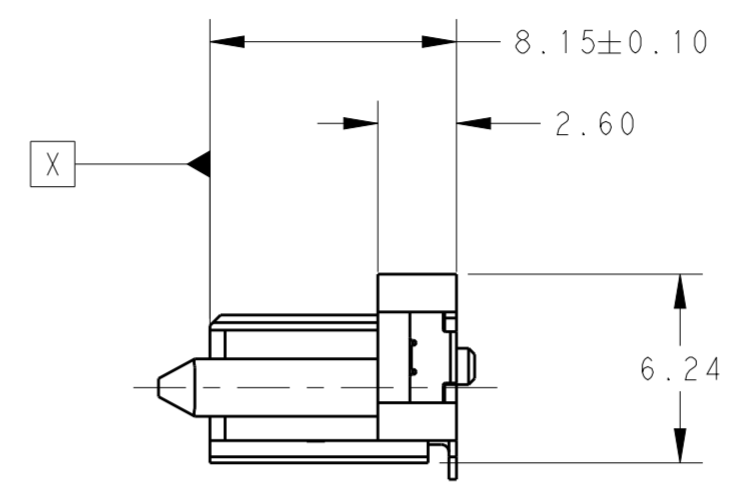
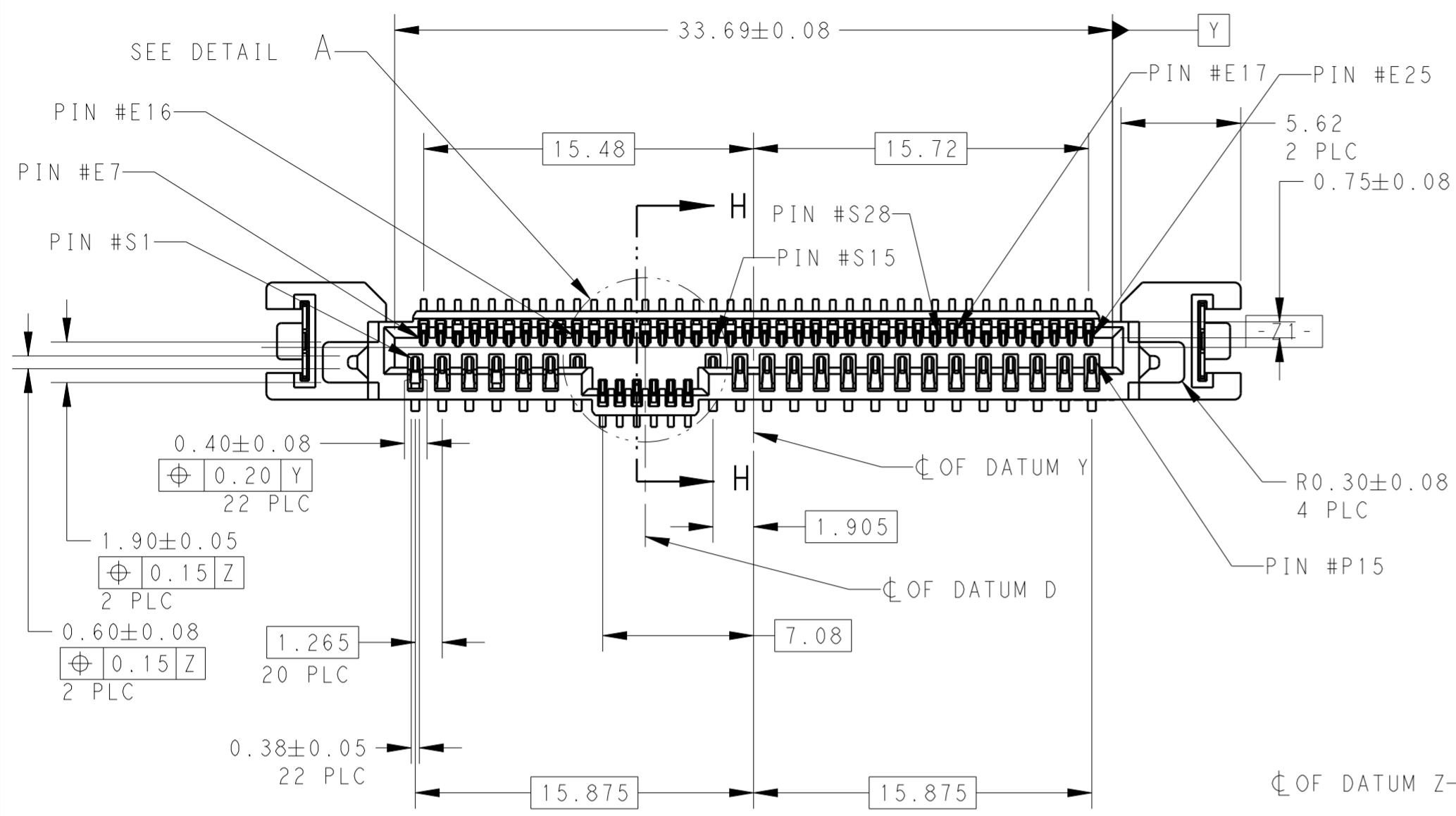
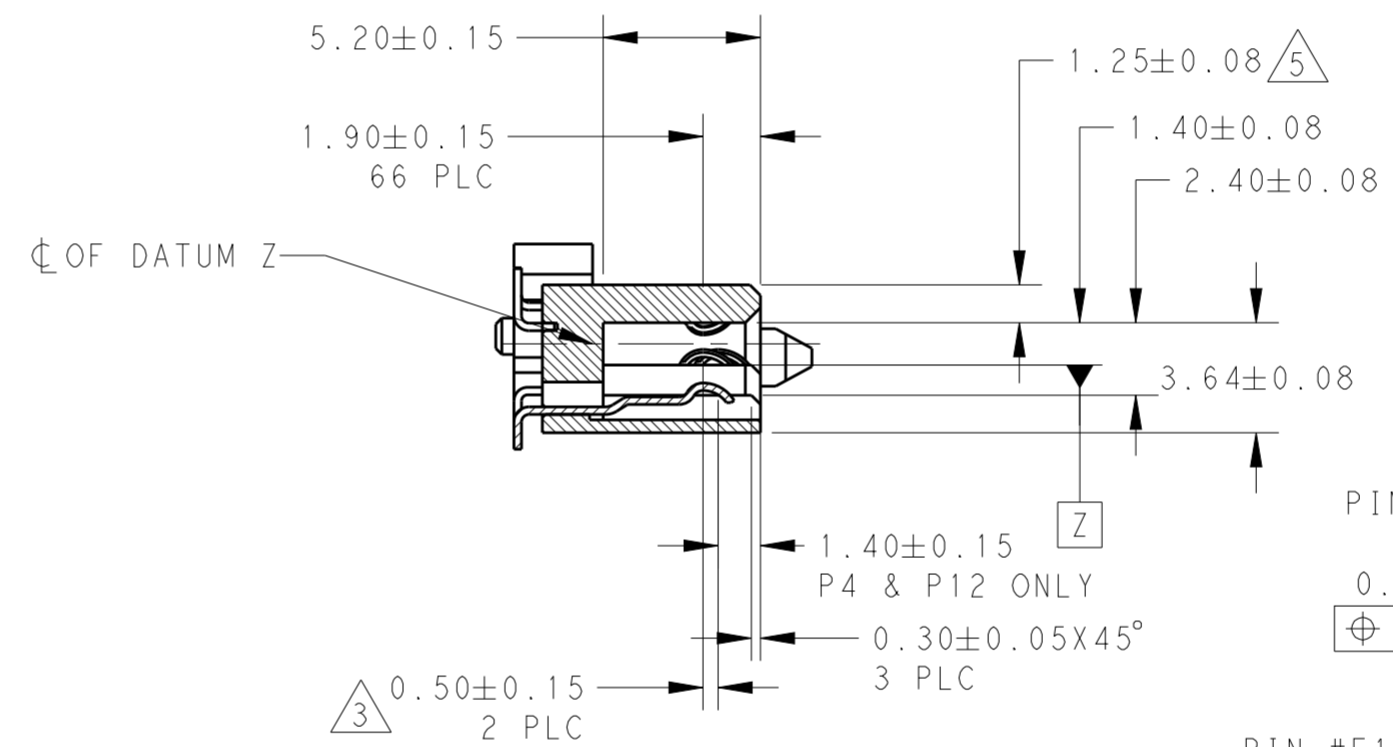


THIS DRAWING IS UNPUBLISHED. RELEASED FOR PUBLICATION 20
 © COPYRIGHT 20 BY - ALL RIGHTS RESERVED.

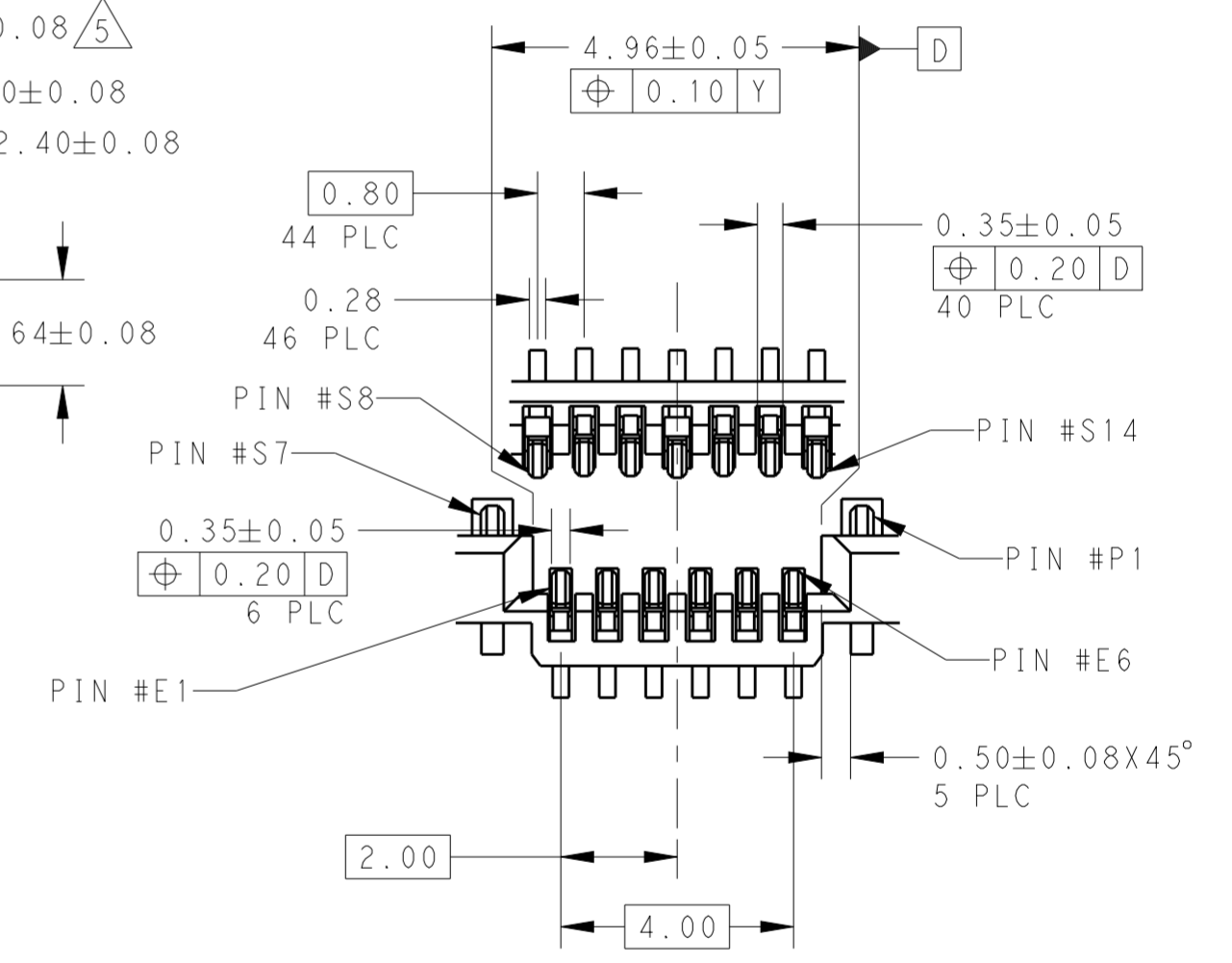
REVISIONS					
P	LTR	DESCRIPTION	DATE	DWN	APVD
	A	RELEASED FOR PRODUCTION	30DEC2015	TX	SH



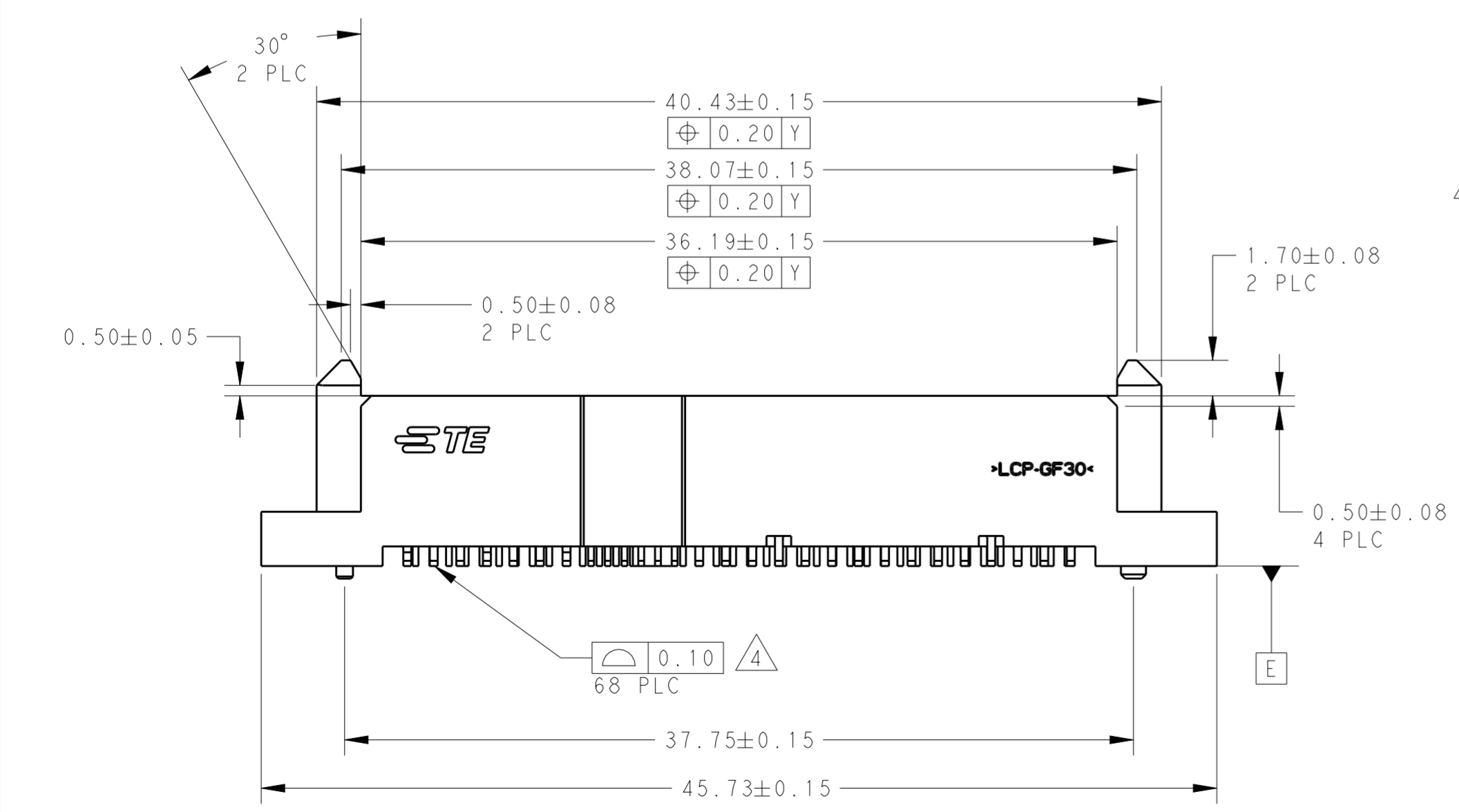
- NOTES:
- MATERIAL:
 HOUSING: HIGH TEMP THERMOPLASTIC, UL94V-0,
 COLOR:BLACK
 CONTACT: COPPER ALLOY
 BOARDLOCK: COPPER ALLOY
 - FINISH:
 CONTACT AREA:
 MIN 0.76µm GOLD PLATING
 SOLDERTAIL: MIN 2.54µm MATTE TIN PLATING
 UNDERPLATE: MIN 1.27µm NICKEL PLATING
 - PIN #P4 AND #P12 ONLY
 - SOLDERTAIL TO BE 0.05 MAX ABOVE
 AND 0.10 MAX BELOW DATUM E
 - 1.33 MAX MEASURED AT DATUM C



SECTION H-H
 SCALE 4:1



DETAIL A
 SCALE 8:1

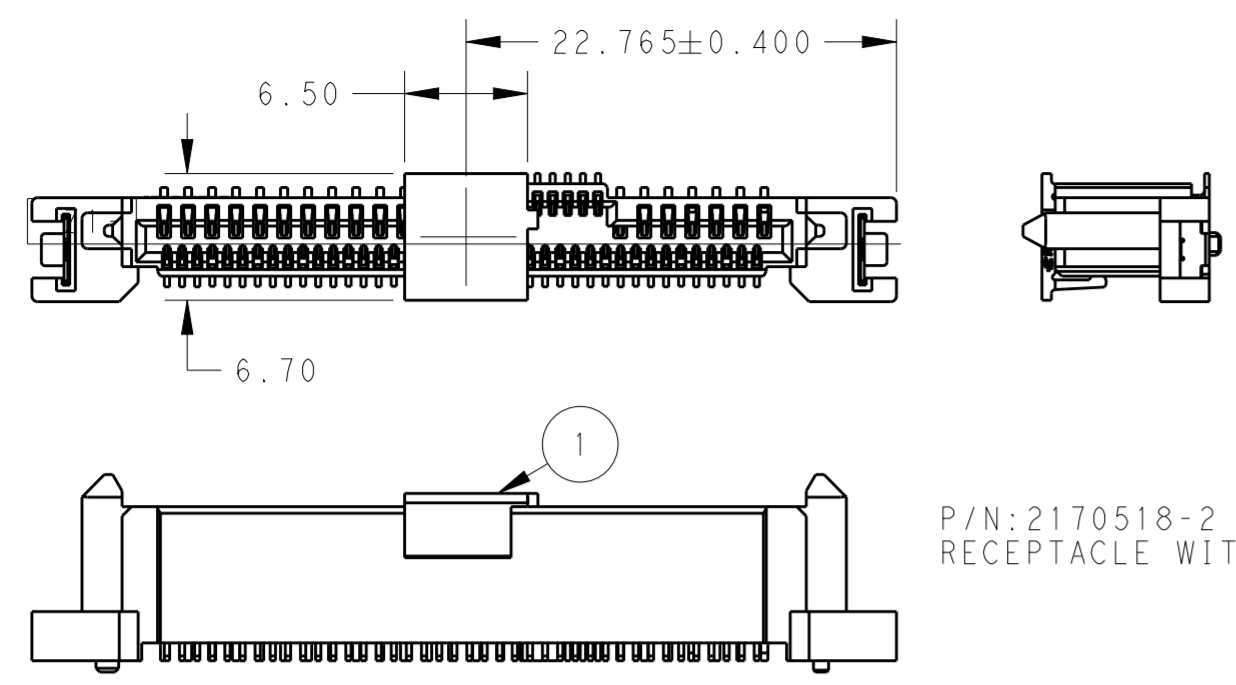


TRAY	YES	2170518-3
TAPE & REEL	YES	2170518-2
TRAY	NO	2170518-1
PACKAGING	PICK-UP CAP (1)	PART NUMBER

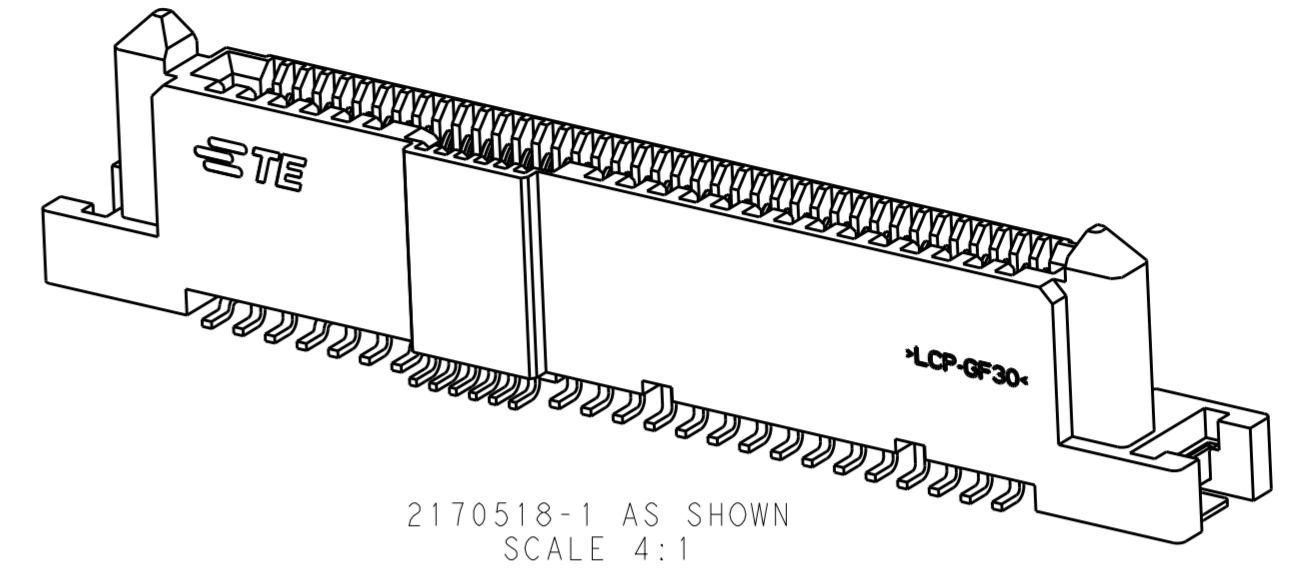
THIS DRAWING IS A CONTROLLED DOCUMENT.		DWN BING LIU 10APR2013	TE Connectivity 12G SAS/PCIE COMBO RECEPTACLE (WITH SMT HOLDDOWNS) 15P+7P+6P+40P
DIMENSIONS: mm		CHK JASON YANG 10APR2013	
TOLERANCES UNLESS OTHERWISE SPECIFIED:		APVD ALEX CAI 10APR2013	
0 PLC ± 1 PLC ±0.20 2 PLC ±0.20 3 PLC ±0.20 4 PLC ± ANGLES ±3° FINISH		PRODUCT SPEC 108-51109 APPLICATION SPEC 114-60017 WEIGHT - CUSTOMER DRAWING	
MATERIAL -		NAME SIZE CAGE CODE DRAWING NO A200779 C-2170518 RESTRICTED TO - SCALE 2:1 SHEET 1 OF 2 REV A	

THIS DRAWING IS UNPUBLISHED. RELEASED FOR PUBLICATION 20
 © COPYRIGHT 20 BY - ALL RIGHTS RESERVED.

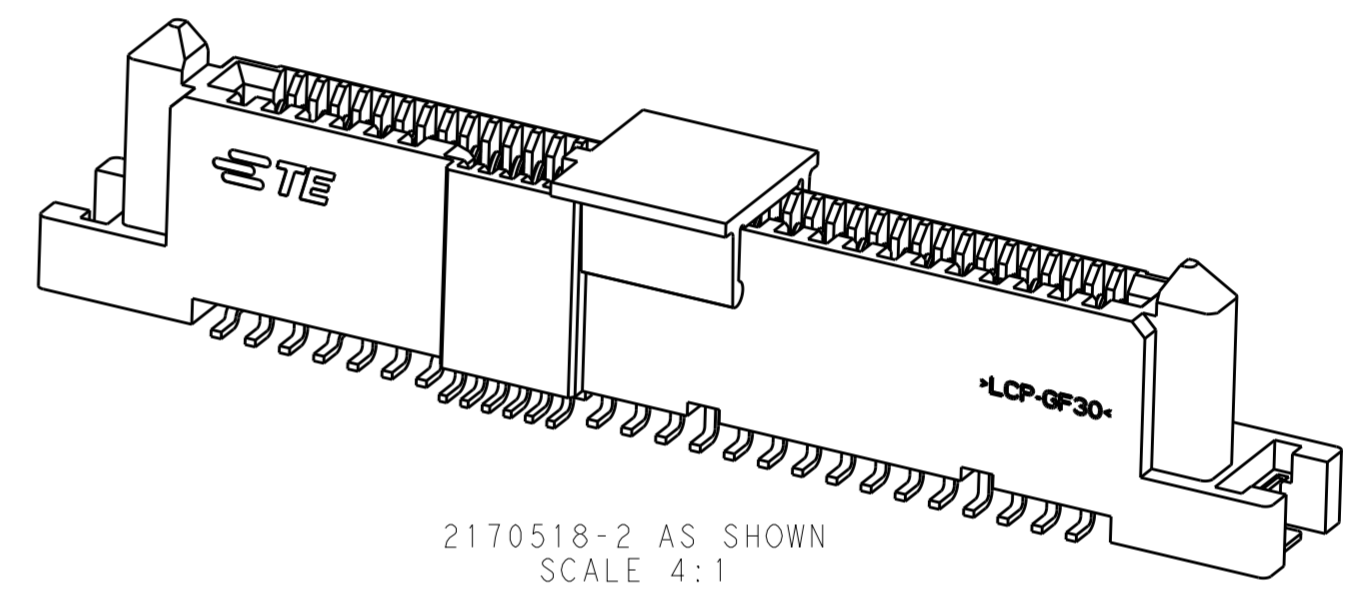
LOC		DIST		REVISIONS			
P	LTR	DESCRIPTION		DATE	DWN	APVD	
-	-	SEE SHEET 1		-	-	-	



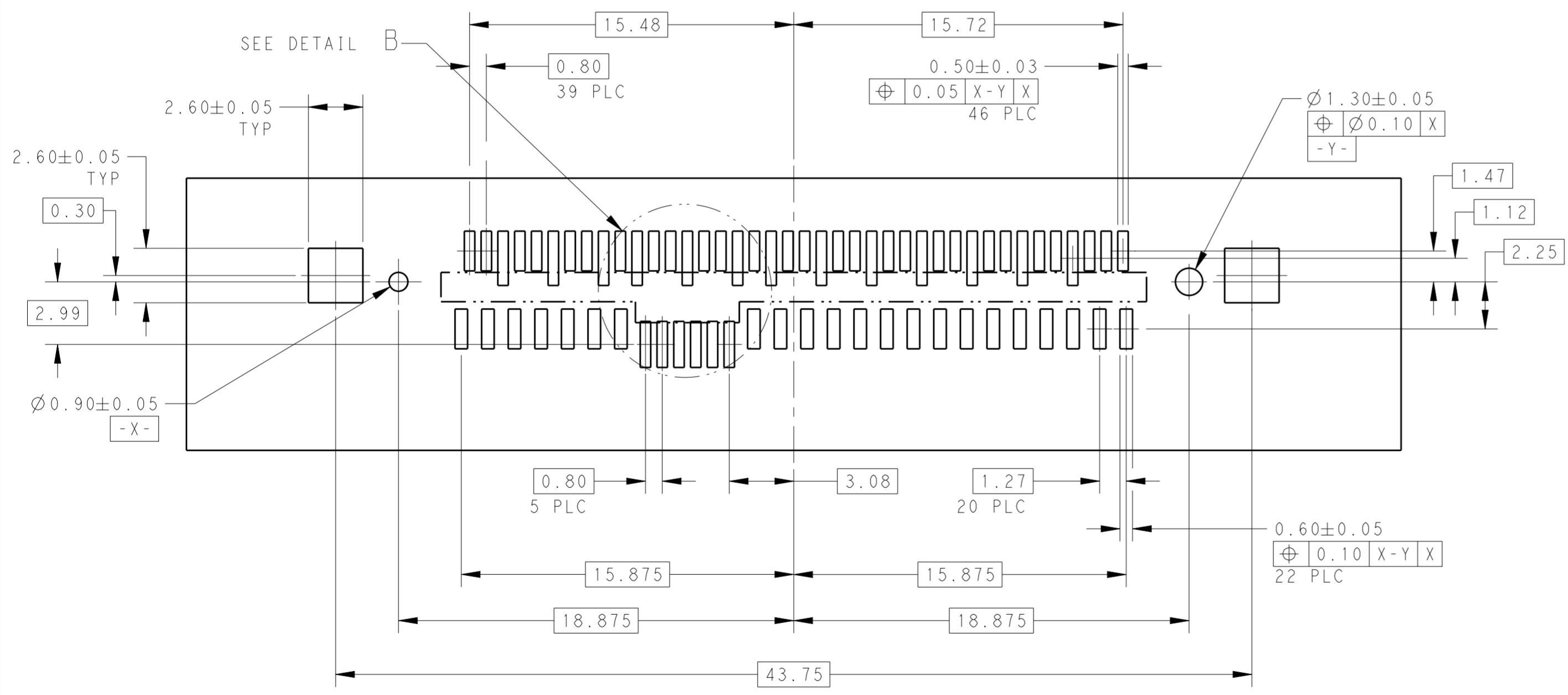
P/N: 2170518-2 AS SHOWN
 RECEPTACLE WITH PICK-UP CAP



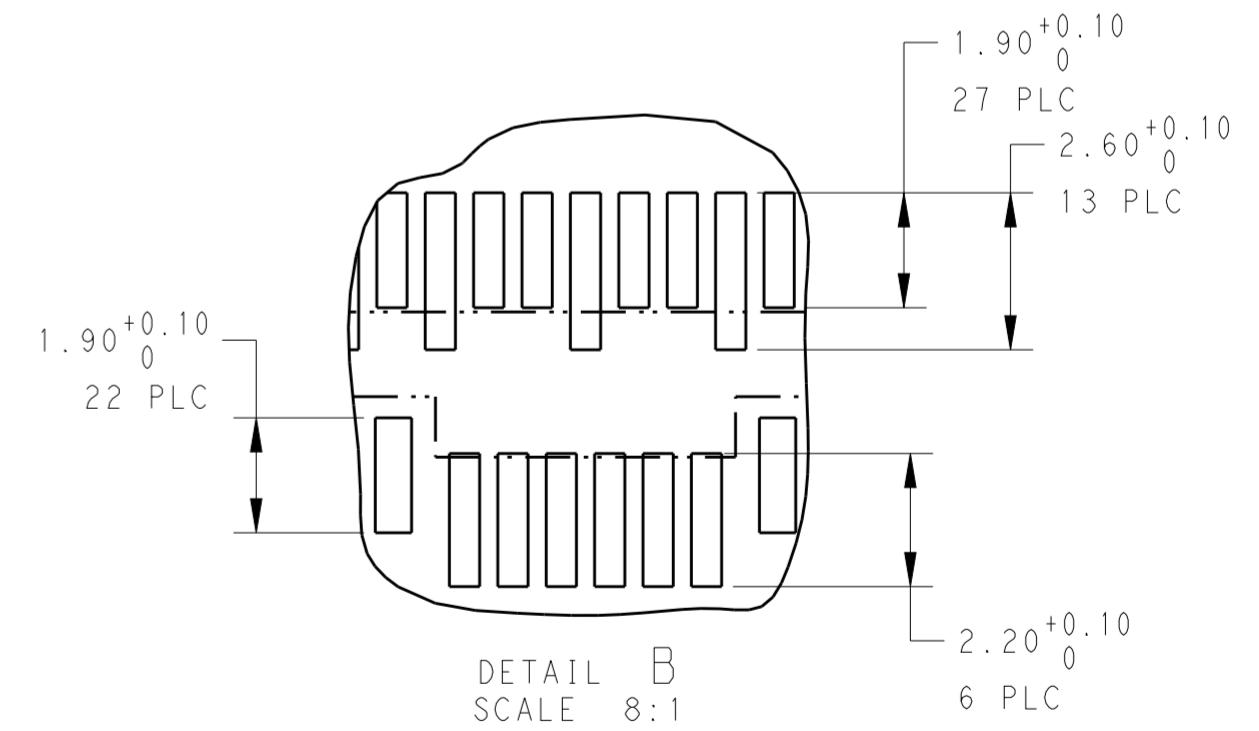
2170518-1 AS SHOWN
 SCALE 4:1



2170518-2 AS SHOWN
 SCALE 4:1



RECOMMENDED RECEPTACLE BOARD LAYOUT
 SCALE 5:1



DETAIL B
 SCALE 8:1

THIS DRAWING IS A CONTROLLED DOCUMENT.		DWN BING LIU 10APR2013	TE Connectivity	
DIMENSIONS: mm		CHK JASON YANG 10APR2013		
TOLERANCES UNLESS OTHERWISE SPECIFIED:		APVD ALEX CAI 10APR2013	NAME 12G SAS/PCIe COMBO RECEPTACLE (WITH SMT HOLDDOWNS) 15P+7P+6P+40P	
0 PLC ± 1 PLC ±0.20 2 PLC ±0.20 3 PLC ±0.20 4 PLC ±		PRODUCT SPEC 108-51109	SIZE A200779	
ANGLES ±3°		APPLICATION SPEC 114-60017	DRAWING NO C-2170518	
FINISH		WEIGHT	RESTRICTED TO	
material_2		finish_spec_2	SCALE 2:1 SHEET 1 OF 2 REV A	

单击下面可查看定价，库存，交付和生命周期等信息

[>>TE Connectivity\(泰科\)](#)