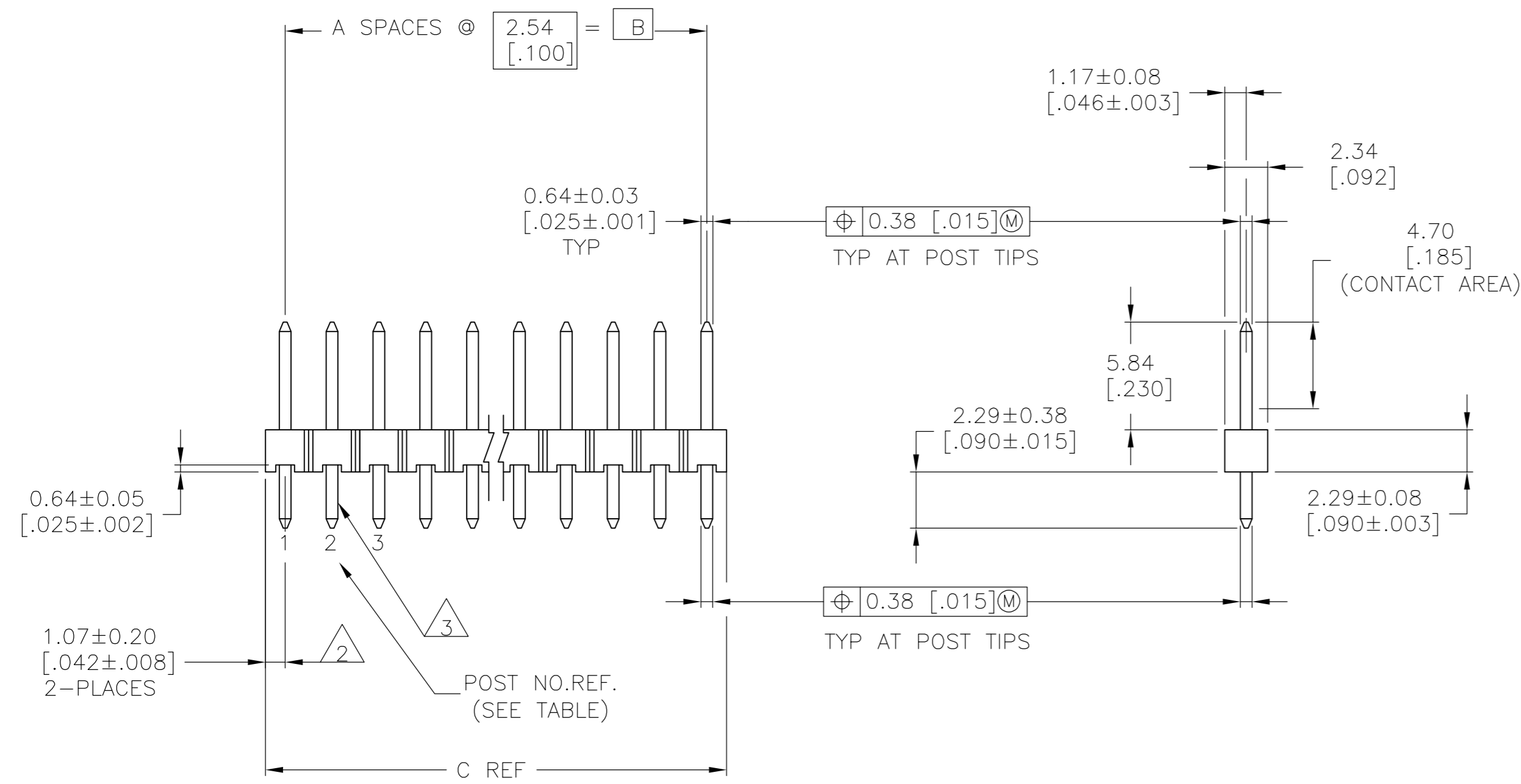
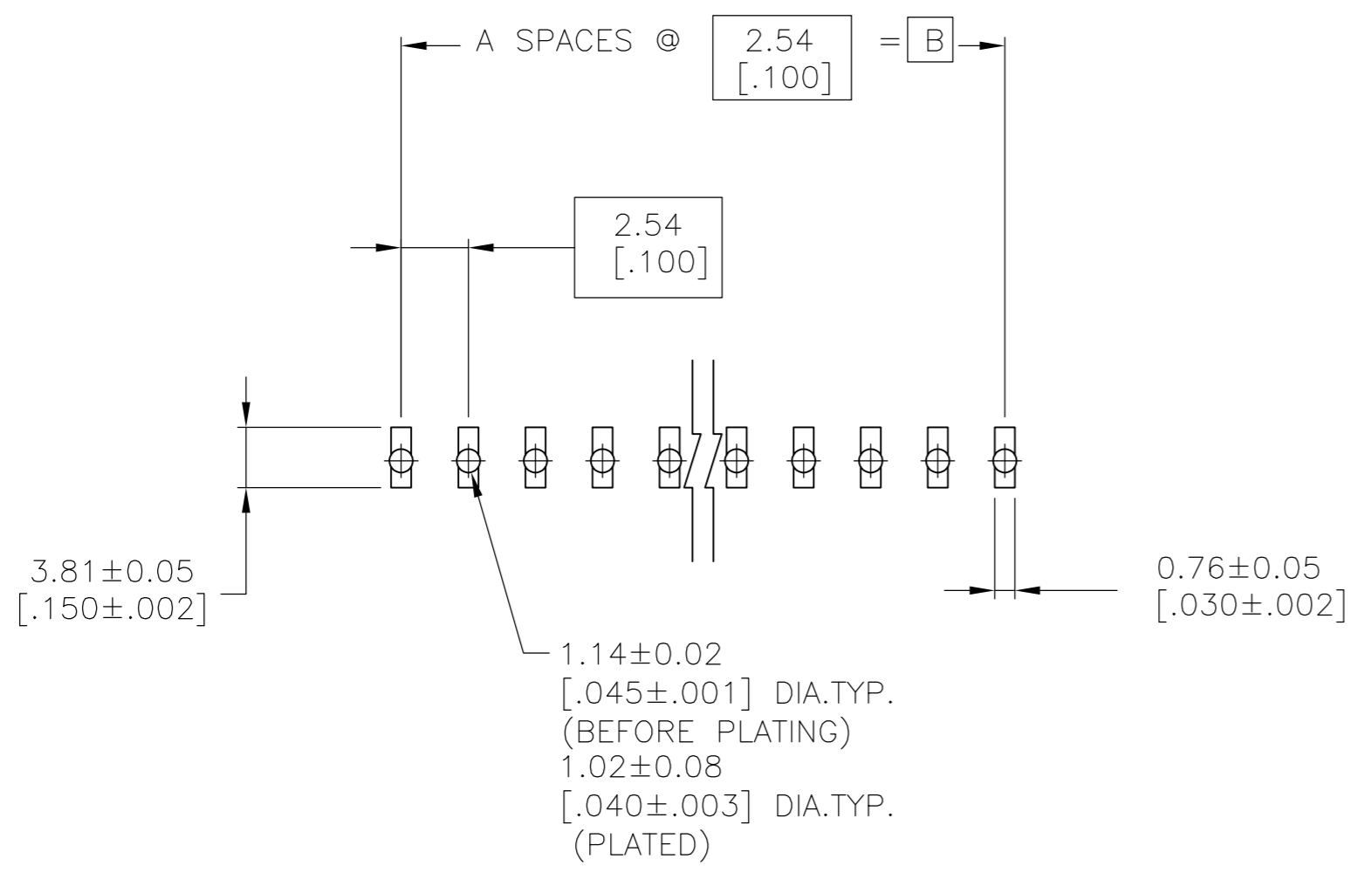


THIS DRAWING IS UNPUBLISHED. RELEASED FOR PUBLICATION
 © COPYRIGHT - By - ALL RIGHTS RESERVED.

LOC		DIST		REVISIONS			
P	LTR	DESCRIPTION		DATE	DWN	APVD	
AD	00	C		REVISED PER ECO-14-006554	09MAY2014	NK	MM



- 1 TRUE POSITION TOLERANCE OF THE POST TIPS APPLIES WHEN THE HEADERS ARE HELD FLAT AGAINST THE PRINTED CIRCUIT BOARD.
- 2 THE NOTED DIMENSIONS APPLY AT THE INTERSECTION OF THE POST AND THE HOUSING.
- 3 RETENTION FEATURES ON SOLDER TAILS, LOCATED AT MANUFACTURERS OPTION.
- 4 HOUSING: LCP, COLOR-BLACK. POSTS: PHOSPHOR BRONZE.
- 5 0.000076[.0000030] MIN GOLD OVER 0.00068[.000027] Pd/Ni IN CONTACT AREA, 0.00254-0.00504 [.000100-.000200] MATTE TIN ON SOLDER TAIL, ALL OVER 0.00127 [.000050] NICKEL.



RECOMMENDED PC BOARD MOUNTING DIMENSIONS FOR 1.60 [.063] THICK PC BOARD AND 0.305 [.0120] STENCIL THICK.

5	101.19 [3.984]	99.06 [3.900]	39	40	4-1977956-0
5	2.13 [.084]	-	0	1	1977956-1
PLATING	C	B	A	NO. OF POSITIONS	PART NUMBER

THIS DRAWING IS A CONTROLLED DOCUMENT.		DWN	02SEP2013	TE Connectivity	
DIMENSIONS: mm [INCHES]		CHK	02SEP2013	NAME	
TOLERANCES UNLESS OTHERWISE SPECIFIED:		APVD	02SEP2013	KIRAN HOLAL	
0 PLC ± -		PRODUCT SPEC		MIKE MILLER	
1 PLC ± -		APPLICATION SPEC		MIKE MILLER	
2 PLC ± -		WEIGHT	-	SIZE	CAGE CODE
3 PLC ± -		FINISH	SEE TABLE	A2	00779
4 PLC ± -				DRAWING NO	RESTRICTED TO
ANGLES ± -				C=1977956	-
MATERIAL				SCALE	SHEET
4				4:1	1 OF 1
				REV	C

1977956

单击下面可查看定价，库存，交付和生命周期等信息

[>>TE Connectivity\(泰科\)](#)