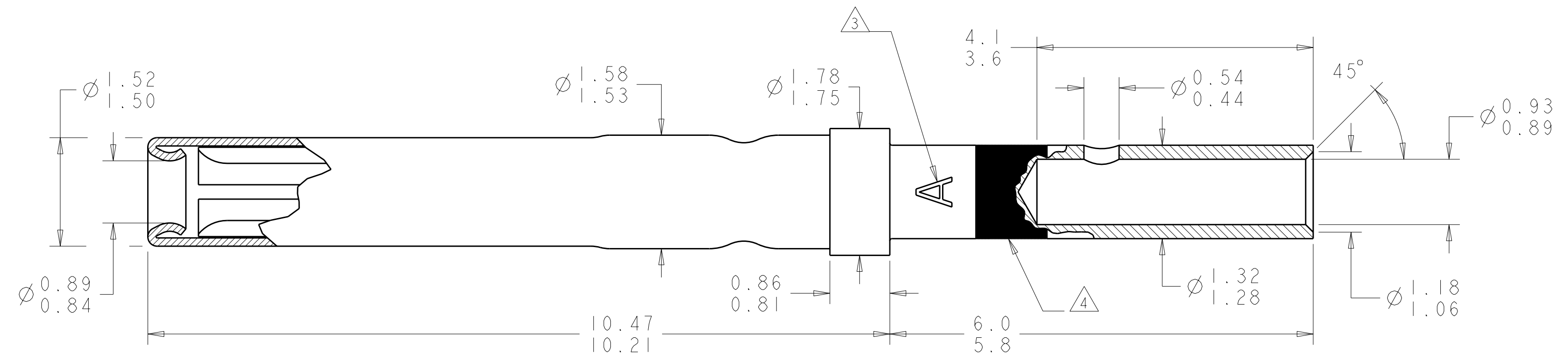


THIS DRAWING IS UNPUBLISHED. RELEASED FOR PUBLICATION  
 © COPYRIGHT BY ALL RIGHTS RESERVED.

LOC		DIST		REVISIONS			
P	LTR	DESCRIPTION	DATE	DWN	APVD		
A		REV PER ECO 10-023341	11-16-10	CT	KH		
B		REV PER ECO-11-003534	08JUN2011	RJM3	KH		



① CONTACT: COPPER ALLOY PER ASTM B196 OR LEADED NICKEL COPPER C97.  
 SLEEVE: STAINLESS STEEL PER AISI 305

② CONTACT: 1.27µm MIN GOLD PER ASTM B488 OVER 2.54µm  
 MIN NICKEL PER QQ-N-290 ON ENTIRE STOCK.

SLEEVE: PASSIVATED

③ OPTIONAL ALTERNATE MARKING: LETTER "S"

④ GREEN COLOR BAND.

5. APPLICABLE WIRE SIZE: 22-24-26 AWG  
 WIRE INSULATION DIAMETER: 1.4 MAX  
 INSULATION STRIP LENGTH: 3.08-3.58

6. APPLICATION TOOLING:  
 CRIMPING TOOL: TYCO PART NUMBER 601966-1 (M22520/2-01)  
 POSITIONER: TYCO PART NUMBER 601966-8 (M22520/2-23)  
 SELECTOR POSITION: AWG 22: 4  
                                   AWG 24: 3  
                                   AWG 26: 3  
 CONTACT INSERTION/EXTRCTION TOOL: 91066-1 (M81969/1-01)

7. THIS PRODUCT IS SOLD BY TYCO ELECTRONICS UNDER A LICENSE FROM RADIAL SA.

1738008-1  
 PART  
 NUMBER

THIS DRAWING IS A CONTROLLED DOCUMENT.		DWN	BH	12AUG2004	TE Connectivity SOCKET CONTACT ASSEMBLY, SIZE 22, GPR					
DIMENSIONS:		CHK	JPM	12AUG2004				NAME		
mm		APVD	JPM	12AUG2004				SIZE	CAGE CODE	DRAWING NO
		TOLERANCES UNLESS OTHERWISE SPECIFIED:		PRODUCT SPEC						
				APPLICATION SPEC						
MATERIAL		FINISH		WEIGHT						
① -		② -		CUSTOMER DRAWING	SCALE	20:1	SHEET 1 OF 1			
					RESTRICTED TO	REV B				

单击下面可查看定价，库存，交付和生命周期等信息

[>>TE Connectivity\(泰科\)](#)