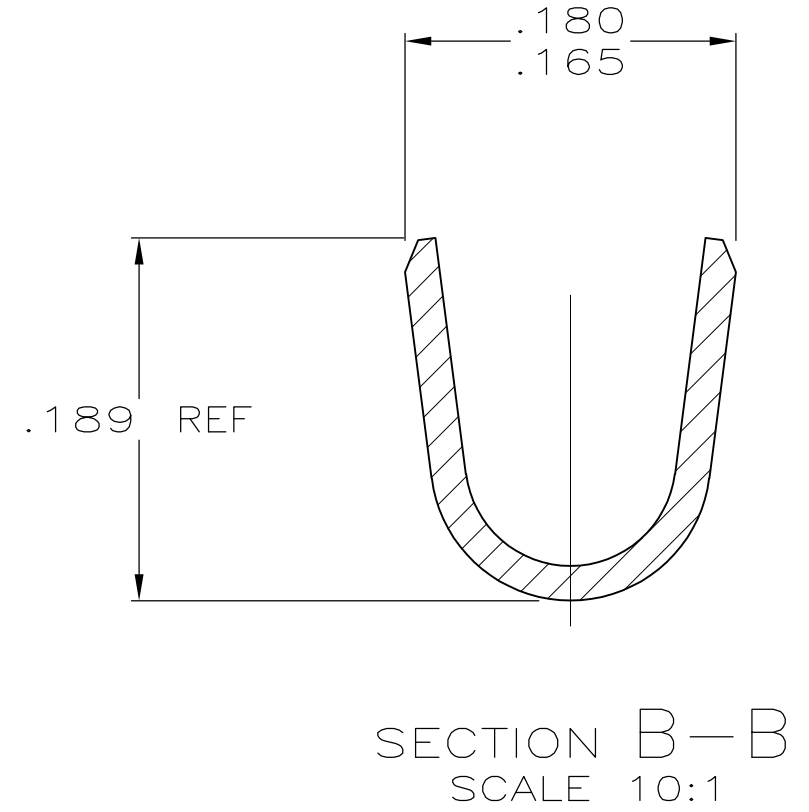
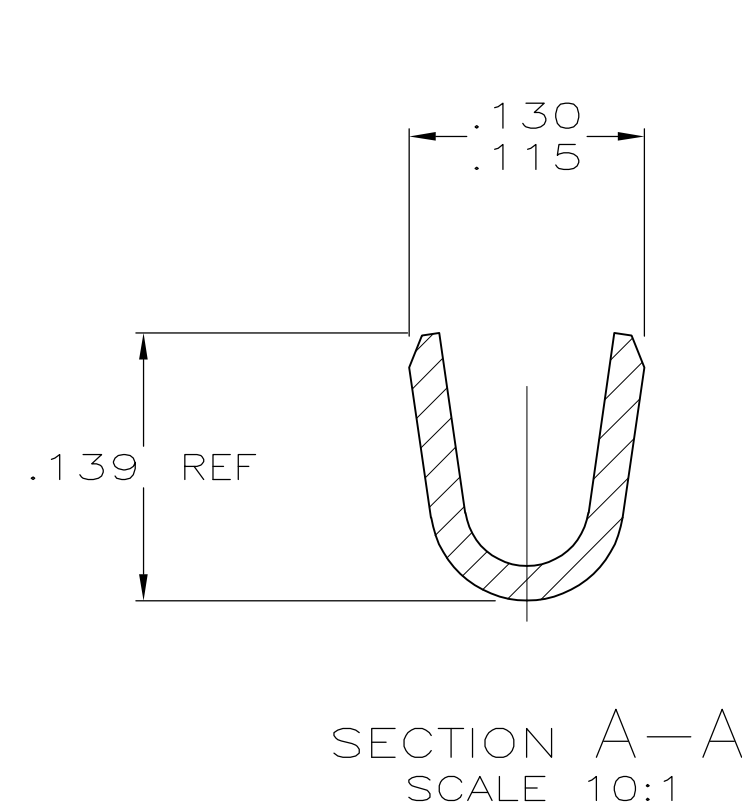
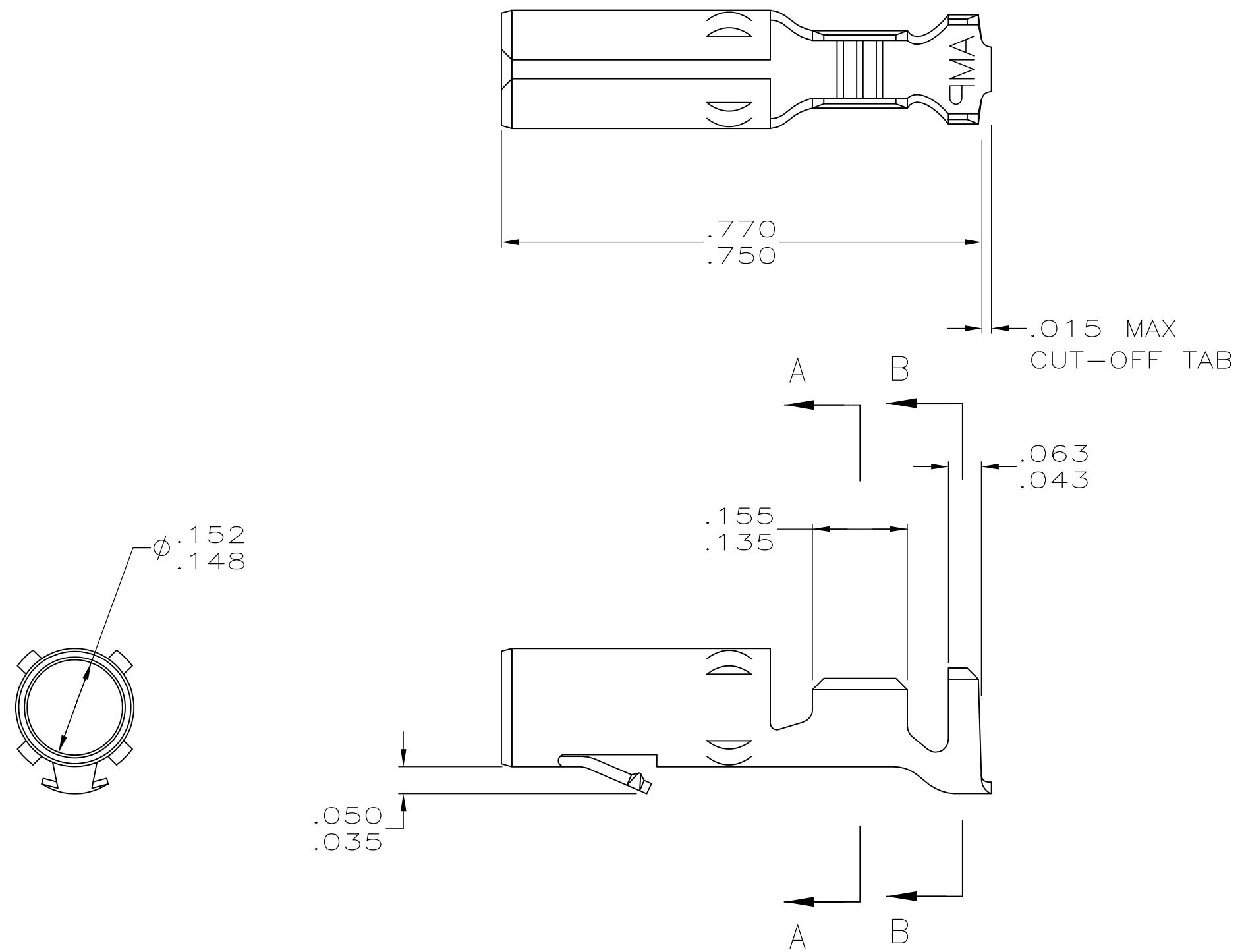


THIS DRAWING IS UNPUBLISHED. RELEASED FOR PUBLICATION  
 © COPYRIGHT BY TYCO ELECTRONICS CORPORATION. ALL INTERNATIONAL RIGHTS RESERVED.

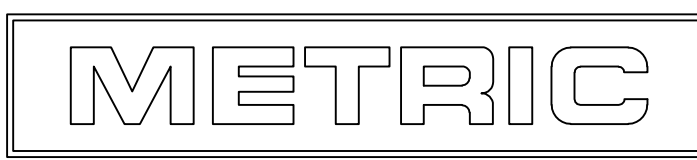
LOC	DIST	REVISIONS			
P	LTR	DESCRIPTION	DATE	DWN	APVD
CM	0	J	ECO-08-028197	12NOV2008	KW CC

1. WIRE RANGE: 20-14 (0.5-2mm<sup>2</sup>) AWG  
 INSULATION RANGE: .125 MAX.



IN	MM	IN	MM	IN	MM	IN	MM
.050	1.27	.139	3.53	.180	4.57		
.043	1.09	.135	3.43	.165	4.19		
.035	0.89	.130	3.30	.156	3.96		
.018	0.46	.125	3.18	.155	3.94	.770	19.56
.015	0.38	.115	2.92	.152	3.86	.750	19.05
.005	0.13	.063	1.60	.148	3.76	.189	4.80
IN	MM	IN	MM	IN	MM	IN	MM

CONVERSION TABLE



TIN	.018 BRASS	61250-1
FINISH	MATERIAL	PART NO

THIS DRAWING IS A CONTROLLED DOCUMENT.		DWN B. LEWIS 6-25-96	Tyco Electronics Corporation Harrisburg, PA 17105-3608
DIMENSIONS: INCHES		CHK R. SWING 6-25-96	
TOLERANCES UNLESS OTHERWISE SPECIFIED:		APVD C. MARTIN 6-25-96	
0 PLC ± - 1 PLC ± - 2 PLC ± - 3 PLC ± .005 4 PLC ± - ANGLES ± -		NAME SOCKET, LOOSE PIECE, .156 MATE-N-LOK(TM)	
MATERIAL BRASS	FINISH PRE-TIN	APPLICATION SPEC -	RESTRICTED TO -
CUSTOMER DRAWING		WEIGHT -	SIZE A2
		CAGE CODE 00779	DRAWING NO C=61250
		SCALE 5:1	SHEET 1 of 1
		REV J	

单击下面可查看定价，库存，交付和生命周期等信息

[>>TE Connectivity\(泰科\)](#)