

Thermofit® Molded Parts

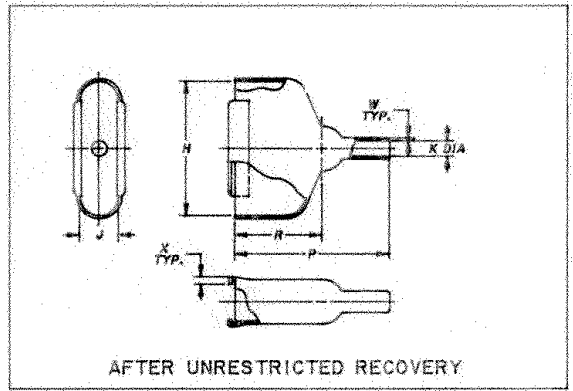
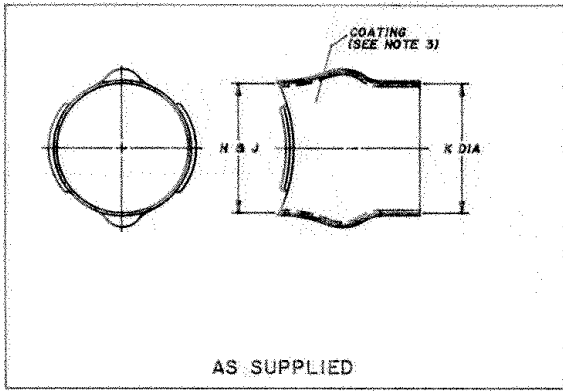
Specification Control Drawing

Part Number : 214A3XX-X-02
 Description: BOOT, RECTANGULAR, SUBMINIATURE, STRAIGHT, OVER EXPANDED

LIMITED DISTRIBUTION

NOTES

- ALL DIMENSIONS ARE IN INCHES
(MILLIMETERS)
- DIMENSIONS APPEARING IN TABLE ARE AS FOLLOWS:
 a - AS SUPPLIED
 b - AFTER UNRESTRICTED RECOVERY
- COATING IS STANDARD, AS SUPPLIED DIMENSIONS APPEARING IN TABLE ARE FOR UNCOATED PARTS. WHEN COATING IS ADDED, ENTRY DIAMETERS WILL BE REDUCED BY .06 MAX.. PART IS COATED THROUGHOUT INCLUDING LIPS.



PART NUMBER	TABLE OF DIMENSIONS									
	H		J		K		P	R	W	X
	Min a	±5% b	Min a	±5% b	Min a	MAX b	±10% b	±10% b	±20% b	±20% b
214A311	.63 (16,0)	.80 (20,3)	.63 (16,0)	.42 (10,7)	.63 (16,0)	.16 (4,1)	1.31 (33,3)	.75 (19,1)	.04 (1,02)	.12 (3,05)
214A321	.75 (19,1)	1.11 (28,2)	.75 (19,1)	.42 (10,7)	.75 (19,1)	.21 (5,3)	1.53 (38,9)	.87 (22,1)	.04 (1,02)	.12 (3,05)
214A332	1.15 (29,2)	1.66 (42,2)	1.15 (29,2)	.42 (10,7)	1.15 (29,2)	.32 (8,1)	1.77 (45,0)	1.00 (25,4)	.04 (1,02)	.12 (3,05)
214A342	1.35 (34,3)	2.31 (58,7)	1.35 (34,3)	.42 (10,7)	1.35 (34,3)	.34 (8,6)	2.10 (53,3)	1.12 (28,4)	.04 (1,02)	.12 (3,05)
214A352	1.48 (37,6)	2.28 (57,9)	1.48 (37,6)	.54 (13,7)	1.48 (37,6)	.42 (10,7)	2.40 (61,0)	1.25 (31,8)	.04 (1,02)	.12 (3,05)

Raychem
 RAYCHEM CORPORATION
 300 CONSTITUTION DRIVE
 MENLO PARK, CALIFORNIA 94025
 (415) 361-6033

If this document is printed it becomes uncontrolled.
 Check for the latest revision.

REVISION : NEW
 DATE : 9-17-84

Part Number: 214A3XX-X-02
 Description: BOOT, RECTANGULAR, SUBMINIATURE, STRAIGHT, OVER EXPANDED

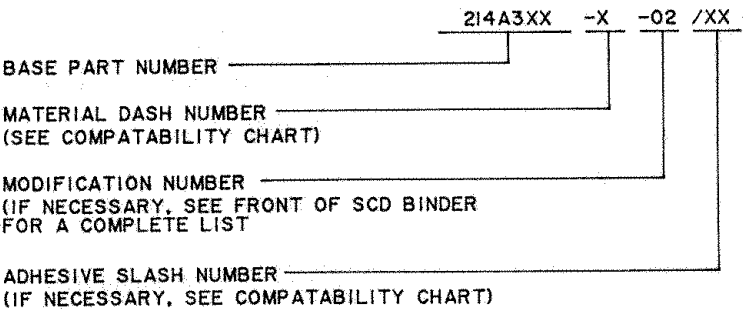
LIMITED DISTRIBUTION

Part Number : 214A3XX-X-02
 Description : *BOOT, RECTANGULAR,
 SUBMINIATURE, STRAIGHT, OVER EXPANDED*

COMPATABILITY CHART

MATERIAL DASH NO.	MATERIAL DESCRIPTION	RT SPEC	COATING SLASH NO.	COATING S NO.	COATING DESCRIPTION
-3	POLYOLEFIN, SEMI-RIGID	RT-301	/42:/86	S-1017:S-1048	ADHESIVE
-4	POLYOLEFIN, FLEXIBLE	RT-1304	/42:/86	S-1017:S-1048	ADHESIVE
-8	POLYOLEFIN, SPACE	RT-1308			

ORDERING INFORMATION



THIS DRAWING IS SUBJECT TO CHANGE WITHOUT NOTICE! CONSULT YOUR
 NEAREST FIELD REPRESENTATIVE FOR CURRENT REVISION

If this document is printed it becomes uncontrolled.
 Check for the latest revision.



RAYCHEM CORPORATION
 300 CONSTITUTION DRIVE
 MENLO PARK, CALIFORNIA 94025
 (415) 361-6066

REVISION: NEW
 DATE: 9-17-84

Part Number : 214A3XX-X-02
 Description : *BOOT, RECTANGULAR,
 SUBMINIATURE, STRAIGHT, OVER EXPANDED*

单击下面可查看定价，库存，交付和生命周期等信息

[>>TE Connectivity\(泰科\)](#)