

THIS DRAWING IS UNPUBLISHED.

RELEASED FOR PUBLICATION

© COPYRIGHT - TE Connectivity

ALL RIGHTS RESERVED.

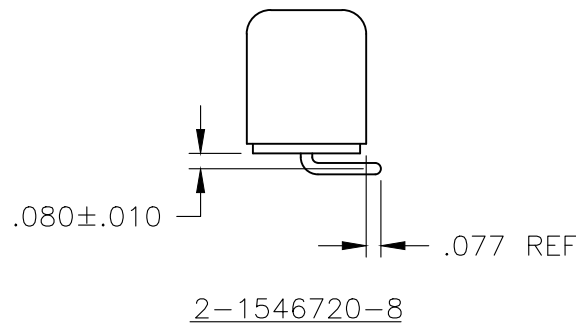
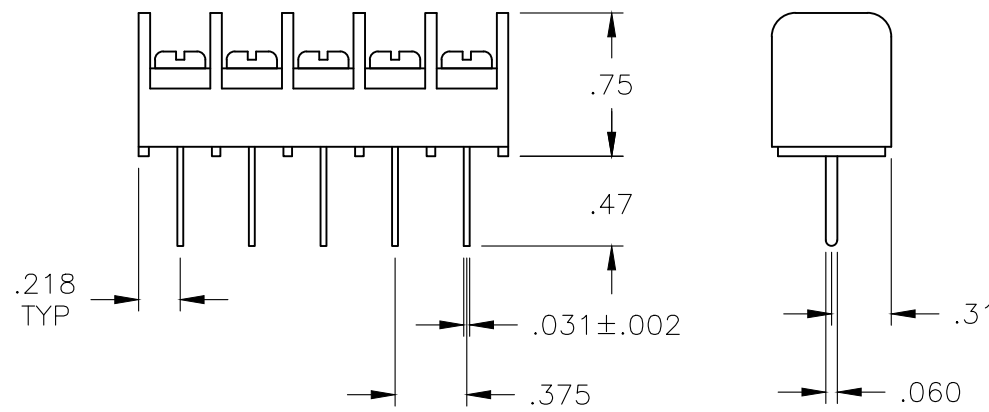
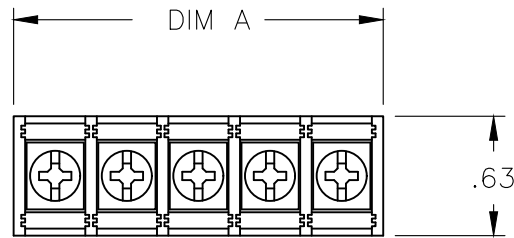
REVISIONS

P	LTR	DESCRIPTION	DATE	DWN	APVD
	B1	PART STATUS UPDATED	17JAN2018	RK	PS

MATERIAL:  
 HOUSING: THERMOPLASTIC, UL94V-0, BLACK.  
 TERMINALS: TIN PLATED COPPER ALLOY.  
 QC TABS: TIN PLATED COPPER ALLOY.  
 SCREWS: 6-32, ZINC PLATED STEEL.

ELECTRICAL:  
 UL/CSA  
 CLASS C: 20A, 300V.  
 CLASS D: 5A, 600V.  
 WIRE RANGE: 12-22 AWG

MECHANICAL:  
 RECOMMENDED TORQUE: 7 IN-LB.  
 OPERATING TEMP.: 105°C MAX



SEE FIGURE

OBSOLETE

SEE FIGURE

SEE FIGURE

	9.436	25	JC6-E107-25	2-1546720-5
	9.061	24	JC6-E107-24	2-1546720-4
	8.686	23	JC6-E107-23	2-1546720-3
	8.311	22	JC6-E107-22	2-1546720-2
	7.936	21	JC6-E107-21	2-1546720-1
	7.561	20	JC6-E107-20	2-1546720-0
	7.186	19	JC6-E107-19	1-1546720-9
	6.811	18	JC6-E107-18	1-1546720-8
	6.436	17	JC6-E107-17	1-1546720-7
	6.061	16	JC6-E107-16	1-1546720-6
	5.686	15	JC6-E107-15-182	2-1546720-7
	5.686	15	JC6-E107-15	1-1546720-5
	5.311	14	JC6-E107-14	1-1546720-4
	4.936	13	JC6-E107-13	1-1546720-3
	4.561	12	JC6-E107-12	1-1546720-2
	4.186	11	JC6-E107-11	1-1546720-1
	3.811	10	JC6-E107-10	1-1546720-0
	3.436	9	JC6-E107-09	1546720-9
	3.061	8	JC6-E107-08-242	2-1546720-9
	3.061	8	JC6-E107-08	1546720-8
	2.686	7	JC6-E107-07	1546720-7
	2.311	6	JC6-E107-06	1546720-6
	1.936	5	JC6-E107-05	1546720-5
	1.561	4	JC6-E107-04	1546720-4
	1.186	3	JC6-E107-03-221	2-1546720-8
	1.186	3	JC6-E107-03-181	2-1546720-6
	1.186	3	JC6-E107-03	1546720-3
	.811	2	JC6-E107-02	1546720-2

DIM. A REF.	NO. OF POS.	CATALOG NUMBER	TE PART NO.
-------------	-------------	----------------	-------------

THIS DRAWING IS A CONTROLLED DOCUMENT.		DWN S SCHLEGEL 12/8/04	<b>STE</b> TE Connectivity	
		CHK S. YODER 12/8/04		
DIMENSIONS: INCHES		APVD S. YODER 12/8/04	NAME	
TOLERANCES UNLESS OTHERWISE SPECIFIED:		PRODUCT SPEC	JC6-E107-XX ASSEMBLY	
0 PLC ± -		APPLICATION SPEC	RESTRICTED TO	
1 PLC ± -		WEIGHT	SIZE A3	CAGE CODE 00779
2 PLC ± .01			DRAWING NO C-1546720	REV B1
3 PLC ± .005			SCALE NTS	SHEET 1 OF 1
4 PLC ± -				
ANGLES ± -				
MATERIAL -				
FINISH -				
CUSTOMER DRAWING				

单击下面可查看定价，库存，交付和生命周期等信息

[>>TE Connectivity\(泰科\)](#)