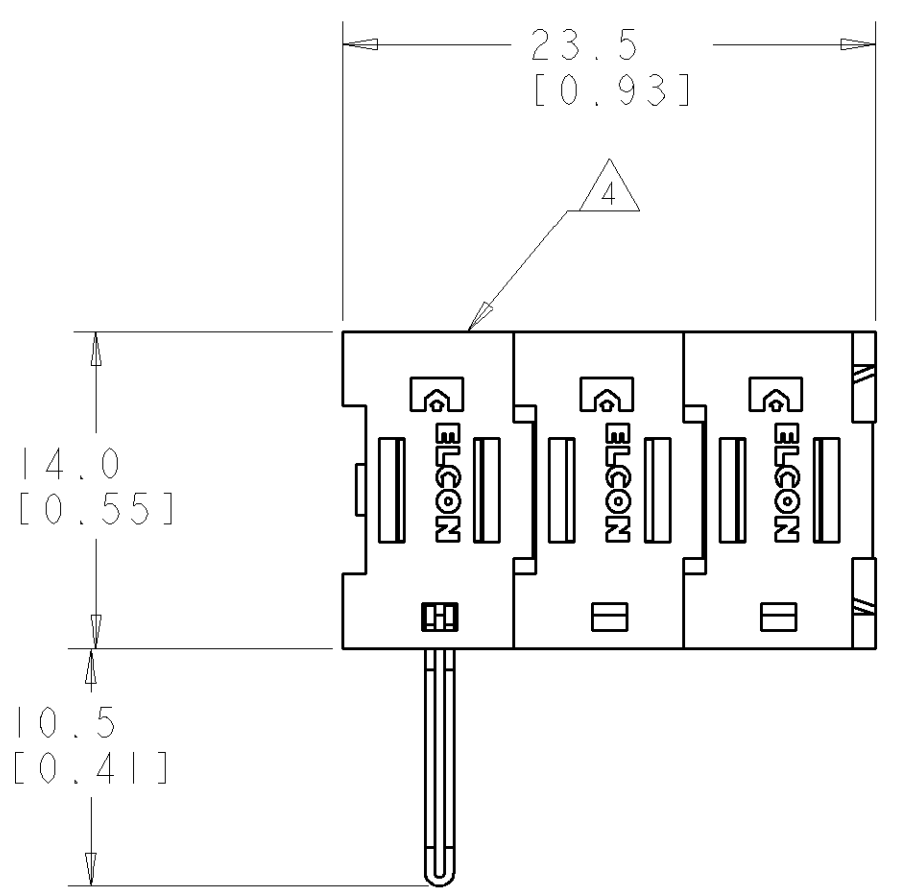


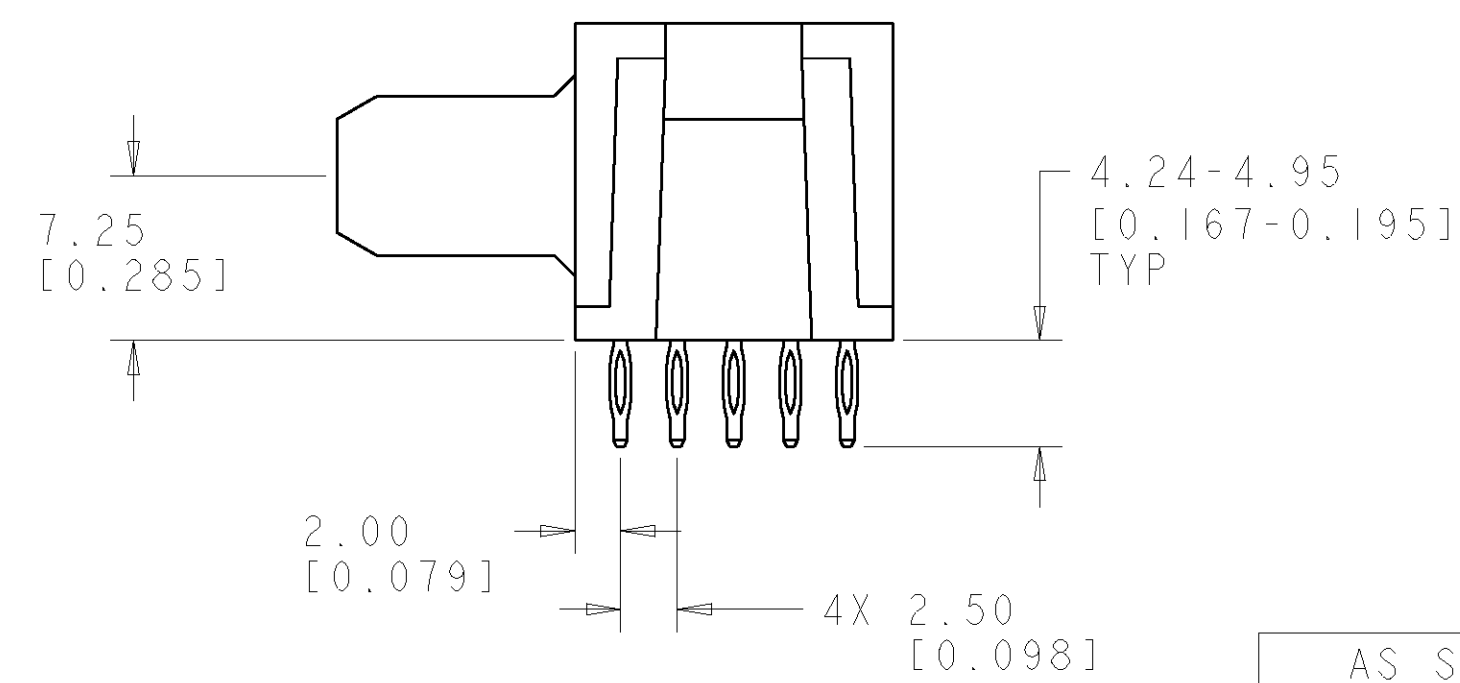
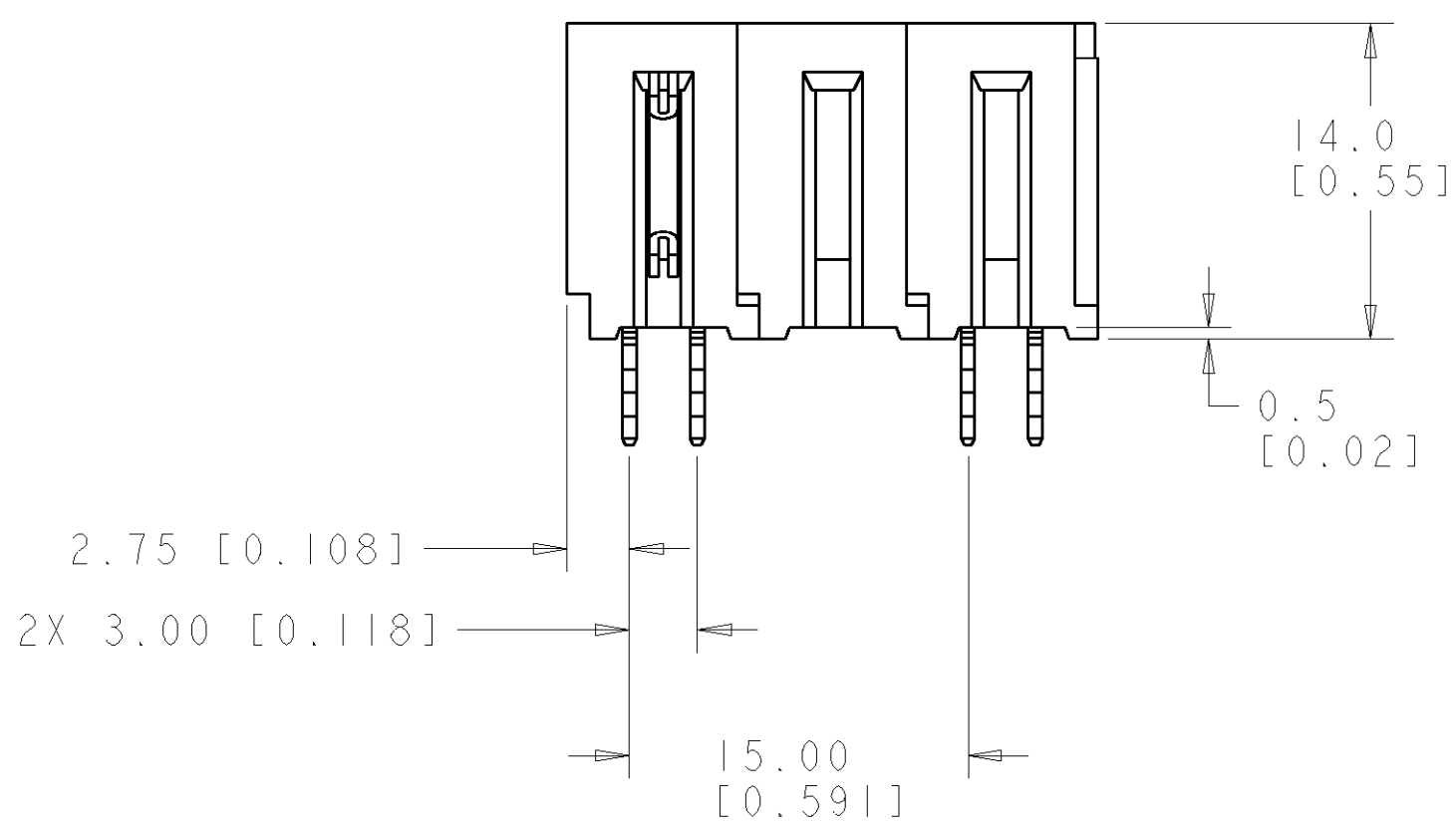
LOC		DIST		REVISIONS			
P	LTR	DESCRIPTION		DATE	DWN	APVD	
GP	00	A	RELEASED	08JAN2007	RG	PD	



- PART NUMBER CHANGES AND OR DESIGN CHANGES AFFECTING ITEM INTERCHANGEABILITY REQUIRE PRIOR TYCO APPROVAL AND AUTHORIZATION BY REVISION TO THIS DRAWING.
 - MATERIAL:
 INSULATORS - THERMOPLASTIC, GLASS REINFORCED, COLOR: BLACK UL94V-0 FLAMMABILITY RATED.
 POWER CONTACTS - PHOSPHOR BRONZE ALLOY, COPPER ALLOY
 CROWN BANDS - BERYLLIUM COPPER ALLOY
 - FINISH:
 CONTACTS - GOLD PLATE .000030" MIN. THK., OVER NICKEL
 .000050" MIN. THK
 COMPLIANT TAILS, TIN .000100" MIN. THK. OVER NICKEL
 .000050" MIN. THK
- △ ITEMS PROVIDED TO THIS SPECIFICATION TO BE PERMANENTLY IDENTIFIED PER THE FOLLOWING IDENTIFIER LABEL

TYCO PART NO. & REV DATE CODE YEAR WEEK
 (e.g. 0106)

XXXXXXX-X XXXX



AS SHOWN	1926348-1
DESCRIPTION	PART NUMBER

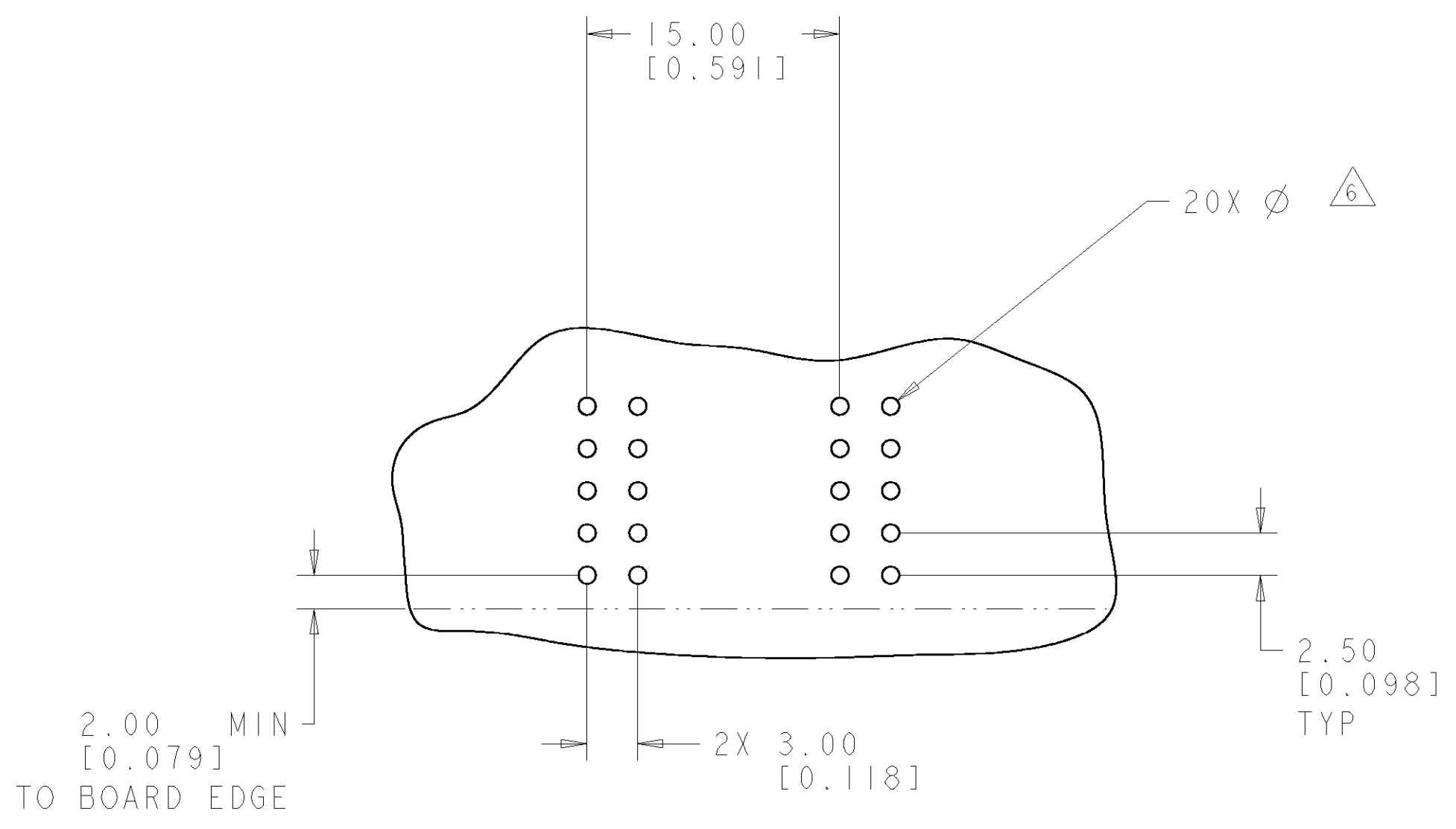
THIS DRAWING IS A CONTROLLED DOCUMENT FOR TYCO ELECTRONICS CORPORATION IT IS SUBJECT TO CHANGE AND THE CONTROLLING ENGINEERING ORGANIZATION SHOULD BE CONTACTED FOR THE LATEST REVISION.		DWN R. GRZYBOWSKI 22DEC06	22DEC06
DIMENSIONS: mm [INCHES]		CHK P. DAMATO 22DEC06	
TOLERANCES UNLESS OTHERWISE SPECIFIED:		APVD S. FLICKINGER 22DEC06	
0 PLC ±		PRODUCT SPEC	
1 PLC ±.5 [.020]		APPLICATION SPEC	
2 PLC ±.25 [.010]			
3 PLC ±			
4 PLC ±			
ANGLES ±.5			
FINISH			
MATERIAL		WEIGHT	
		CUSTOMER DRAWING	

tyco Tyco Electronics		Harrisburg, PA 17105-3608	
NAME		PIN CONNECTOR RIGHT ANGLE, COMPLAINT TAILS FLATPAQ	
SIZE	CAGE CODE	DRAWING NO	RESTRICTED TO
A2	00779	G-1926348	-
SCALE 3:1		SHEET 1 OF 3	REV A

ELCON **FLATPAQ**

THIS DRAWING IS UNPUBLISHED. RELEASED FOR PUBLICATION 20
 © COPYRIGHT 20 BY TYCO ELECTRONICS CORPORATION. ALL RIGHTS RESERVED.

LOC	DIST	REVISIONS					
GP	00	P	LTR	DESCRIPTION	DATE	DWN	APVD
		-		SEE SHEET 1	-	-	-



PRINTED CIRCUIT LAYOUT
SCALE 3:1

CONNECTOR	CATALOG MODULE #	QTY	SIZE NO.	CONTACT QTY	MATING PIN	MAX. CURRENT (PER CONTACT)	CONTACT SPACING	VOLTAGE RATING
PIN	FP205	1	8	2	1.25 X 7.00 [.049 X .276]	35 amps	7.50 [.2953]	250
	FP512	1	-	-	SPACER			
	FP204	1	8	2	1.25 X 7.00 [.049 X .276]	35 amps	7.50 [.2953]	250

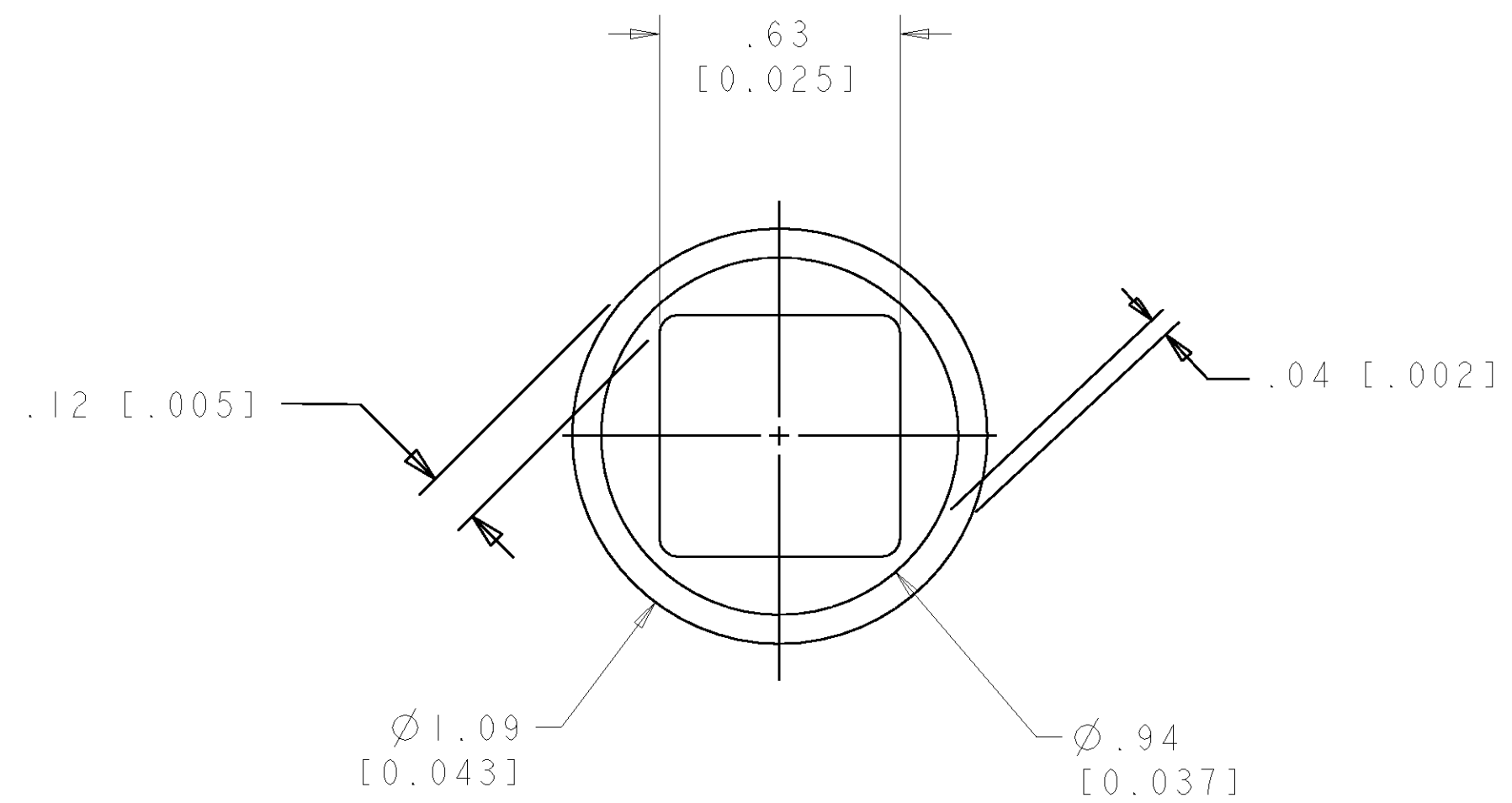
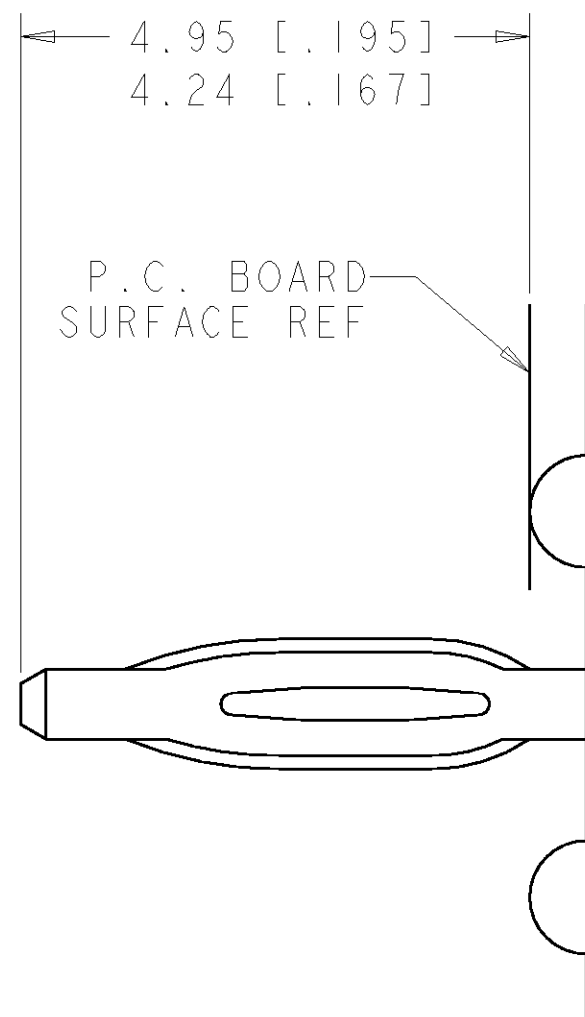
THIS DRAWING IS A CONTROLLED DOCUMENT FOR TYCO ELECTRONICS CORPORATION. IT IS SUBJECT TO CHANGE AND THE CONTROLLING ENGINEERING ORGANIZATION SHOULD BE CONTACTED FOR THE LATEST REVISION.

DWN R. GRZYBOWSKI 22DEC06	 Tyco Electronics Harrisburg, PA 17105-3608
CHK P. DAMATO 22DEC06	
APVD S. FLICKINGER 22DEC06	
NAME PIN CONNECTOR RIGHT ANGLE, COMPLAINT TAILS FLATPAO	
DIMENSIONS: mm [INCHES]	TOLERANCES UNLESS OTHERWISE SPECIFIED: 0 PLC ±.5 [.020] 1 PLC ±.5 [.020] 2 PLC ±.25 [.010] 3 PLC ±.5 [.020] 4 PLC ±.5 [.020] ANGLES ±.5
MATERIAL	FINISH
CUSTOMER DRAWING	

SIZE	CAGE CODE	DRAWING NO.	RESTRICTED TO
A2	00779	C-1926348	-
SCALE	3:1	SHEET	2 OF 3
REV	A		

THIS DRAWING IS UNPUBLISHED. RELEASED FOR PUBLICATION 20
 © COPYRIGHT 20 BY TYCO ELECTRONICS CORPORATION. ALL RIGHTS RESERVED.

LOC	DIST	REVISIONS					
		P	LTR	DESCRIPTION	DATE	DWN	APVD
GP	00	-		SEE SHEET 1	-	-	-



5. COMPLIANT PIN DETAIL
 SCALE 10 : 1
 INSERTION/EXTRACTION FORCES
 MAXIMUM PUSH IN: 133.3N PER PIN
 [30 LBS]
 MINIMUM PUSH OU: 44.4N PER PIN
 [10 LBS]

6. SOLDER TERMINATION AREA
 SCALE 40:1
 RECOMMENDED PRINTED CIRCUIT HOLE
 COMPLIANT PRESS FIT
 DRILLED HOLE: Ø1.15 [.0453] ±.013 [.0005]
 COPPER PLATE: .025 [.0010] TO .050 [.0020]
 TIN PLATE: .0005 [.000020] MIN. (PER SURFACE)

THIS DRAWING IS A CONTROLLED DOCUMENT FOR TYCO ELECTRONICS CORPORATION IT IS SUBJECT TO CHANGE AND THE CONTROLLING ENGINEERING ORGANIZATION SHOULD BE CONTACTED FOR THE LATEST REVISION.		DWN R. GRZYBOWSKI 22DEC06	tyco Tyco Electronics Harrisburg, PA 17105-3608	
DIMENSIONS: mm [INCHES]		CHK P. DAMATO 22DEC06	NAME PIN CONNECTOR RIGHT ANGLE, COMPLAINT TAILS FLATPAQ	
TOLERANCES UNLESS OTHERWISE SPECIFIED: 0 PLC ±- 1 PLC ±.5 [.020] 2 PLC ±.25 [.010] 3 PLC ±- 4 PLC ±- ANGLES ±.5 FINISH		APVD S. FLICKINGER 22DEC06	PRODUCT SPEC -	RESTRICTED TO -
MATERIAL -		APPLICATION SPEC -	WEIGHT -	SIZE A200779
		CUSTOMER DRAWING	SCALE 3:1	DRAWING NO. C-1926348 SHEET 3 OF 3 REV A

单击下面可查看定价，库存，交付和生命周期等信息

[>>TE Connectivity\(泰科\)](#)