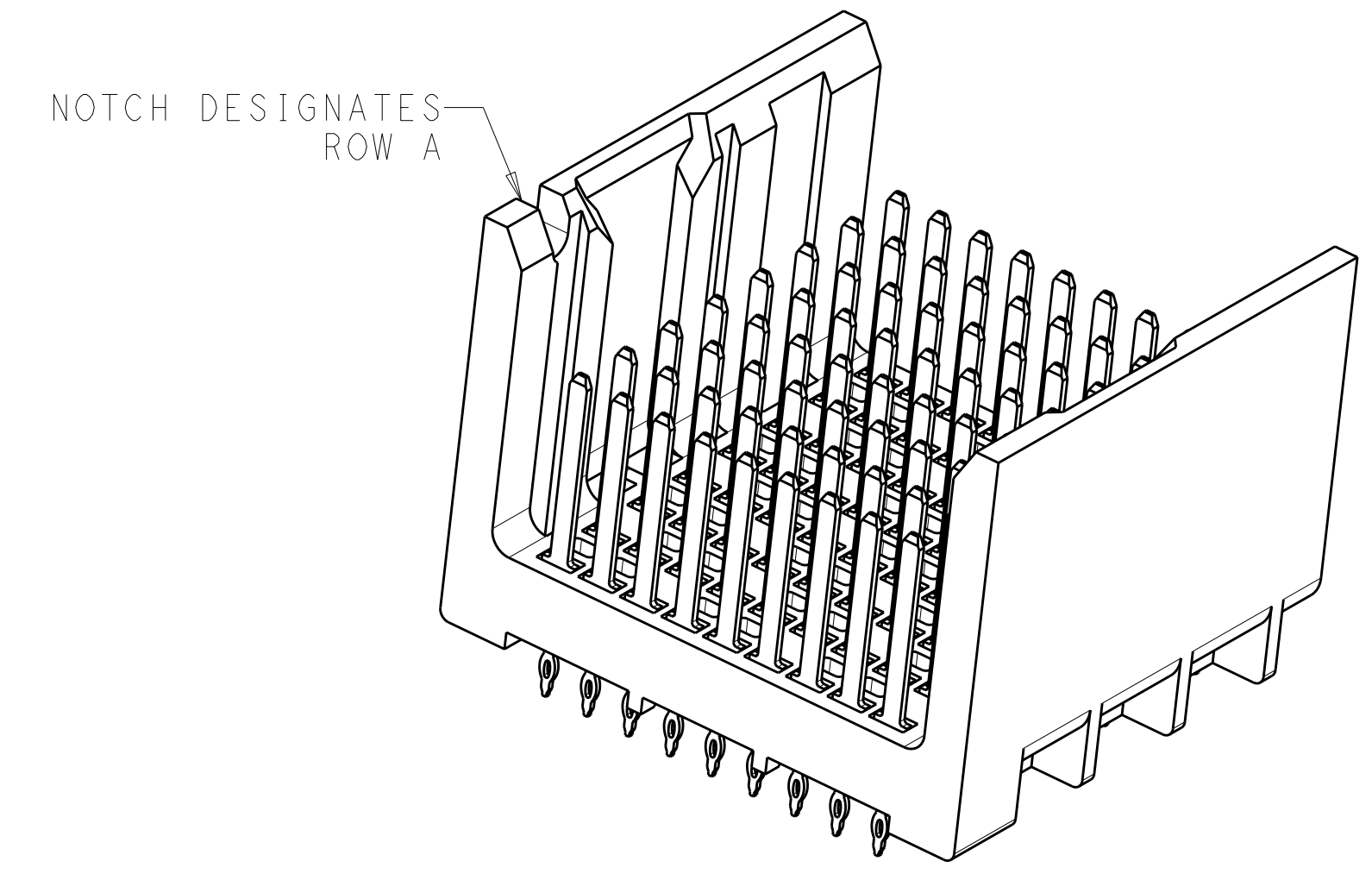
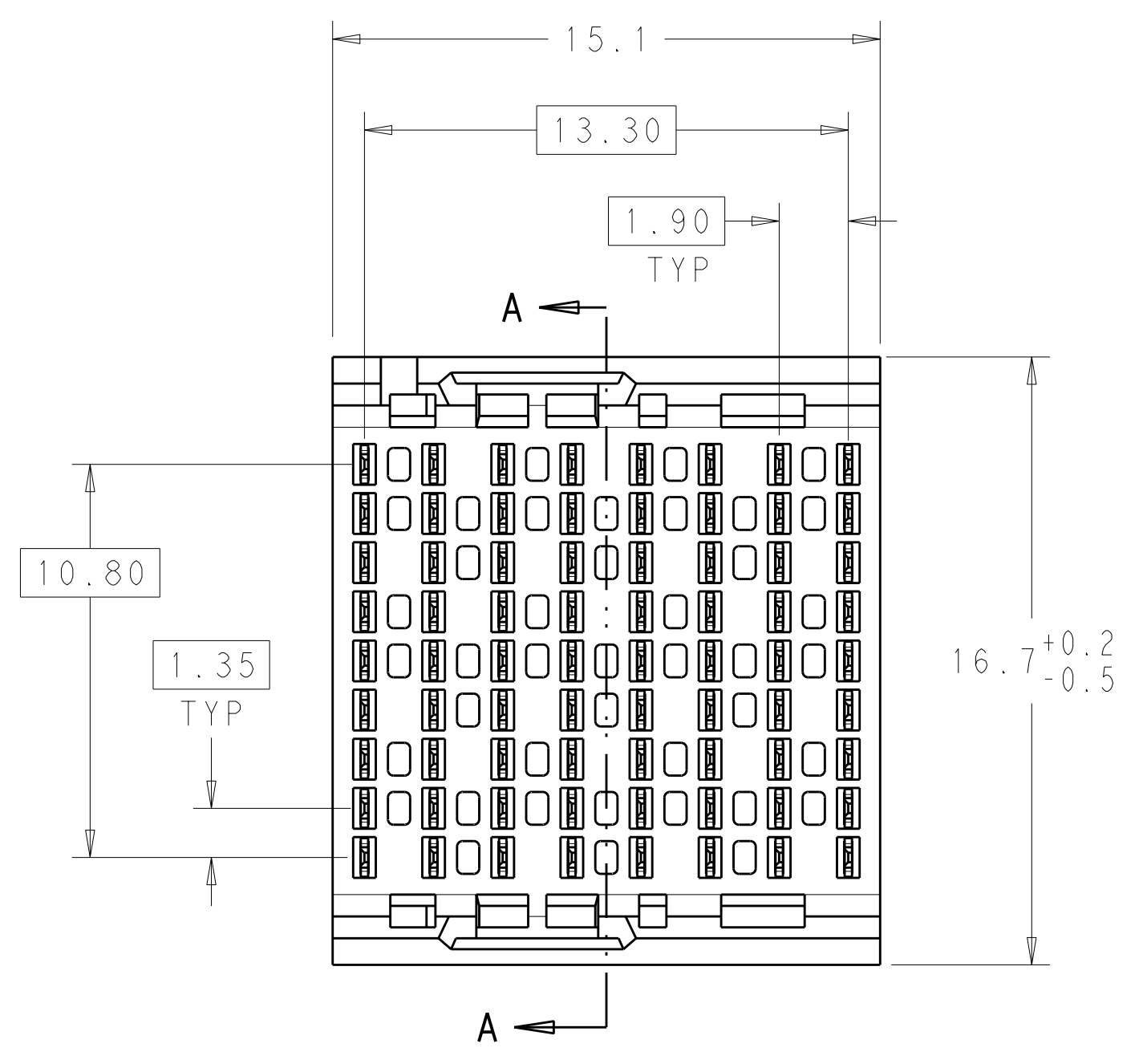
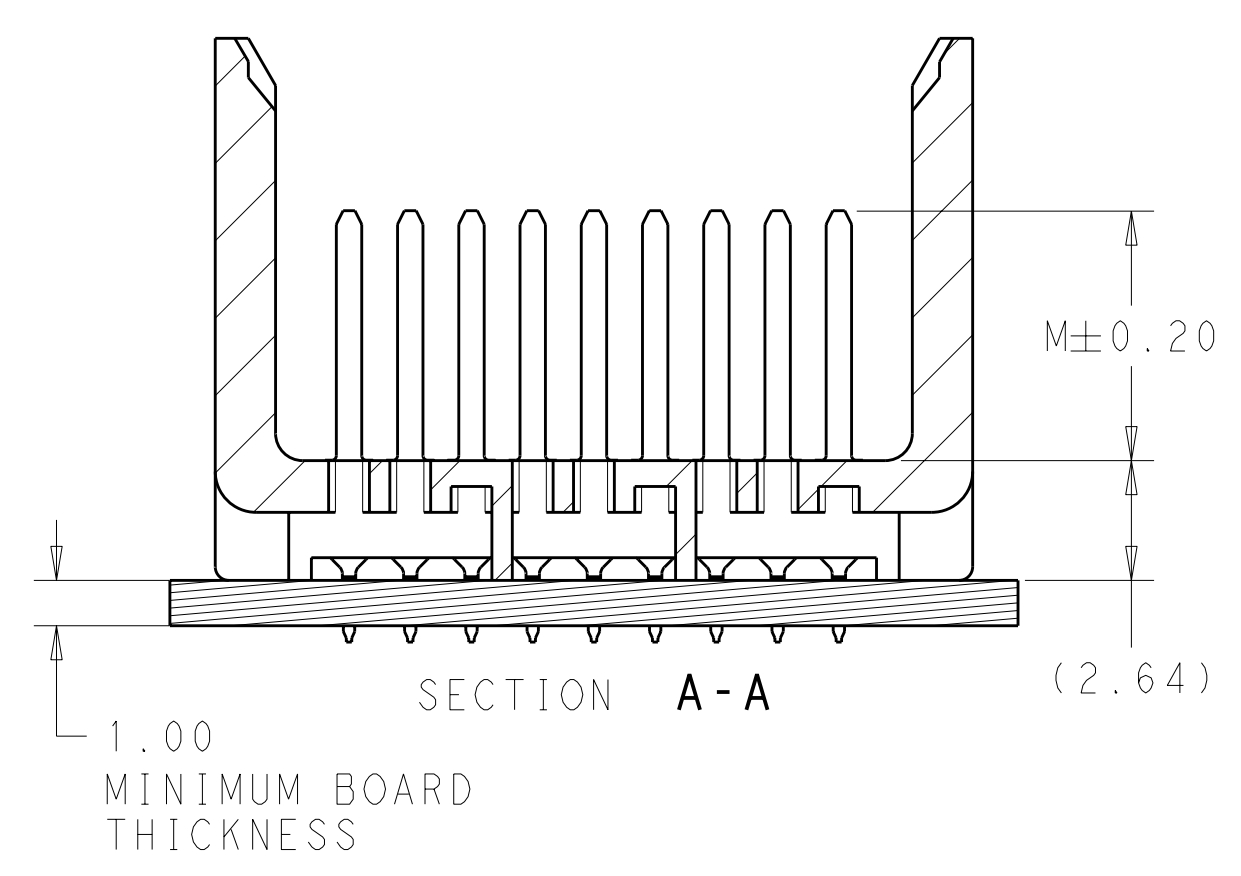
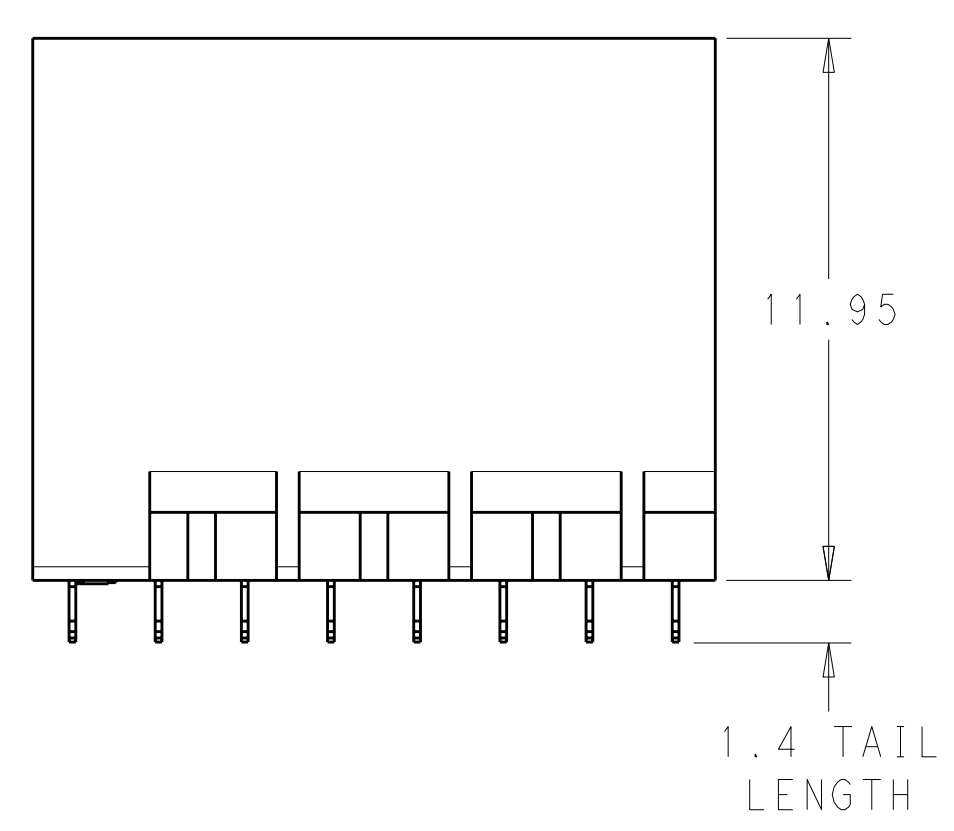
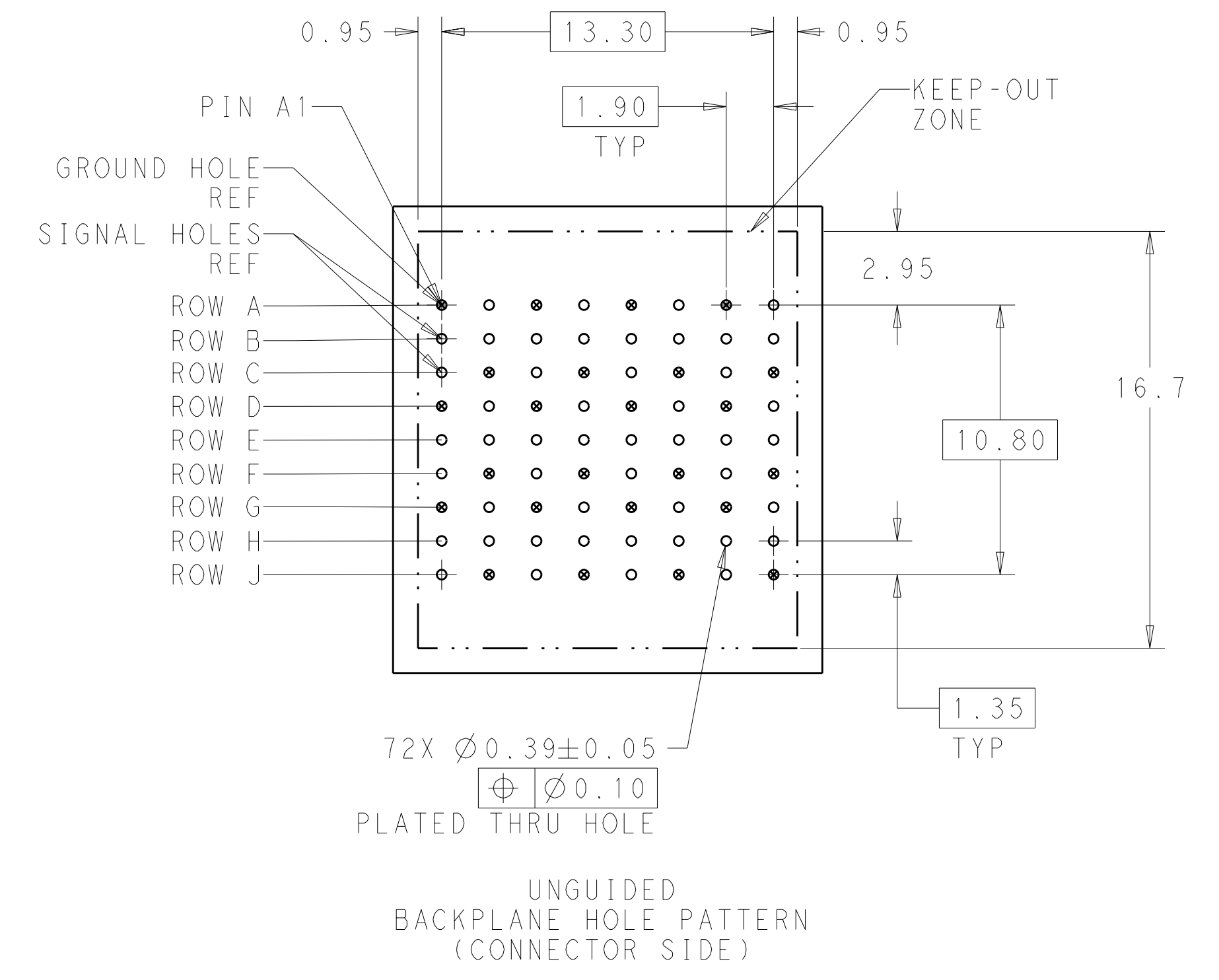


LOC	DIST	REV	DATE	BY	APPD
AD	00	C	06 JAN 2012	KH	DY
REVISIONS			DESCRIPTION	DATE	DWN
			REVISD PER ECO-11-025276	06 JAN 2012	KH



- 1 MATERIAL:
HOUSING: LCP, GLASS FILLED, UL94V-0.
TERMINALS: HIGH PERFORMANCE COPPER ALLOY.
- 2 FINISH:
30μ" MIN GOLD IN CONTACT AREA. SELECTIVE TIN
ON PCB TAILS, NICKEL OVERALL.
- 3 FINISH:
30μ" MIN GOLD IN CONTACT AREA. SELECTIVE TIN-LEAD
ON PCB TAILS, NICKEL OVERALL.




THIS DRAWING IS A CONTROLLED DOCUMENT.		DWN	J. K. SHOBER	11 JAN 2011
DIMENSIONS:		CHK	J. EARY	11 JAN 2011
mm	TOLERANCES UNLESS OTHERWISE SPECIFIED:	APVD	J. EARY	11 JAN 2011
Ø	0 PLC ±	PRODUCT SPEC	NAME	
∠	1 PLC ±0.25	APPLICATION SPEC	IMPACT, 3 PAIR, 8 COLUMN, HEADER	
∠	2 PLC ±0.13	FINISH	UNGUIDED, OPEN END WALL	
∠	3 PLC ±	SEE TABLE	SIGNAL MODULE, 0.39 PTH	
∠	4 PLC ±	SEE TABLE	SIZE	CAGE CODE
∠	ANGLES ±	SEE TABLE	A100779	C=2057764
MATERIAL	FINISH	WEIGHT	RESTRICTED TO	
SEE TABLE	SEE TABLE	-	CUSTOMER DRAWING	
SCALE			6:1	SHEET 1 OF 2
REV			C	

THIS DRAWING IS UNPUBLISHED. RELEASED FOR PUBLICATION 20
 © COPYRIGHT 20 . . . ALL RIGHTS RESERVED.

LOC	DIST	REVISIONS					
AD	00	P	LTG	DESCRIPTION	DATE	DWN	APVD
		-	-	SEE SHEET 1	-	-	-

FINISH	DIM M	PART NUMBER
\triangle_3	5.5	2057764-6
\triangle_3	4.9	2057764-5
\triangle_3	4.5	2057764-4
\triangle_2	5.5	2057764-3
\triangle_2	4.9	2057764-2
\triangle_2	4.5	2057764-1

REFER TO WWW.TE.COM
FOR PRODUCT AVAILABILITY

THIS DRAWING IS A CONTROLLED DOCUMENT.		DWN J. K. SHOBER 11JAN2011	 TE Connectivity
DIMENSIONS: mm		CHK J. EABY 11JAN2011	
TOLERANCES UNLESS OTHERWISE SPECIFIED: 9 PLC ± 7 PLC ±0.25 5 PLC ±0.13 4 PLC ± ANGLES ± FINISH SEE TABLE		APVD J. EABY 11JAN2011	NAME IMPACT, 3 PAIR, 8 COLUMN, HEADER UNGUIDED, OPEN END WALL SIGNAL MODULE, 0.39 PTH
MATERIAL -	SEE TABLE	PRODUCT SPEC -	APPLICATION SPEC -
CUSTOMER DRAWING		WEIGHT -	RESTRICTED TO -
SCALE 5:1		SIZE CAGE CODE DRAWING NO A100779C=2057764	SHEET 2 OF 2 REV C

单击下面可查看定价，库存，交付和生命周期等信息

[>>TE Connectivity\(泰科\)](#)