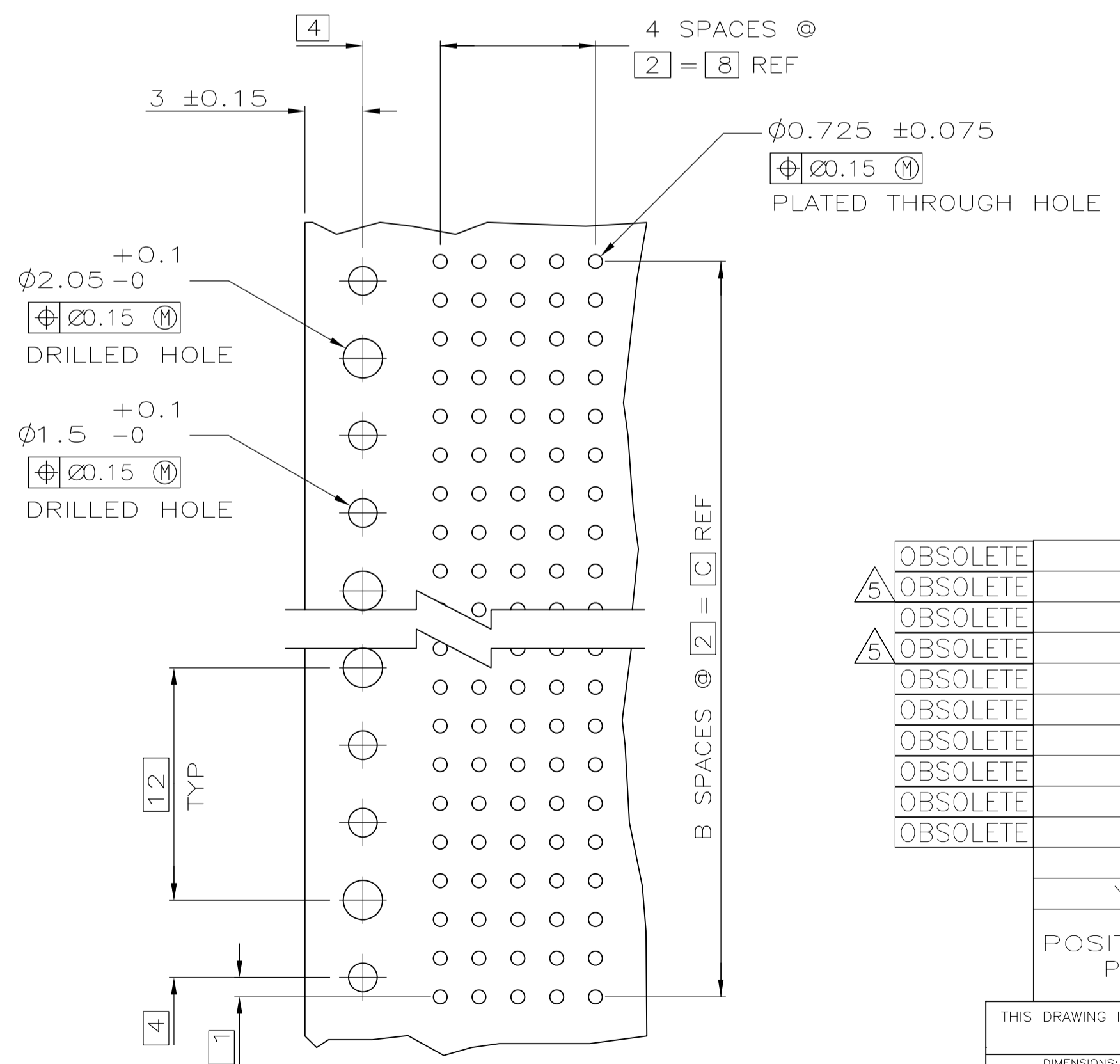
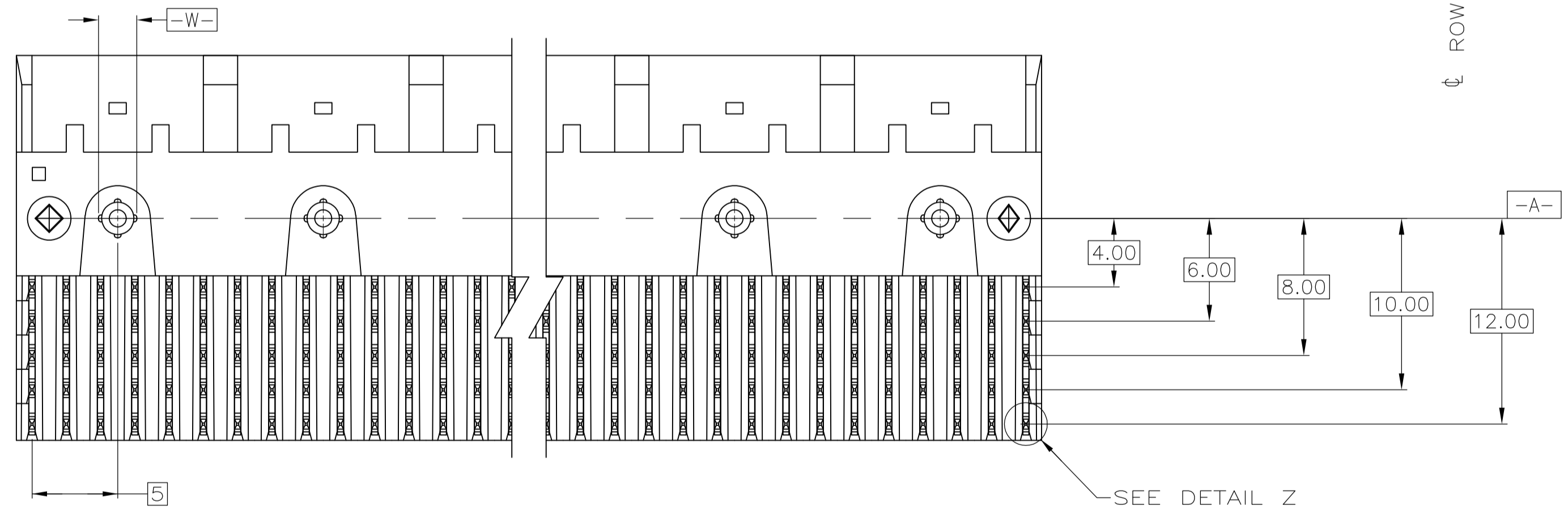
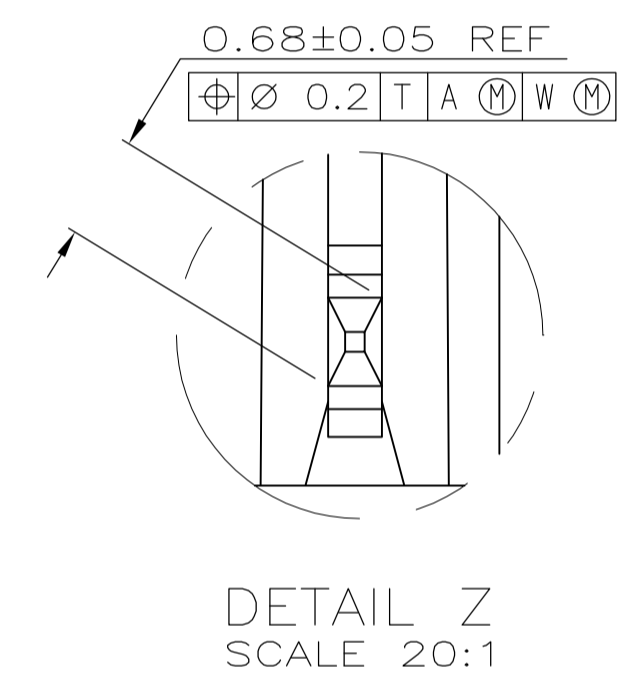
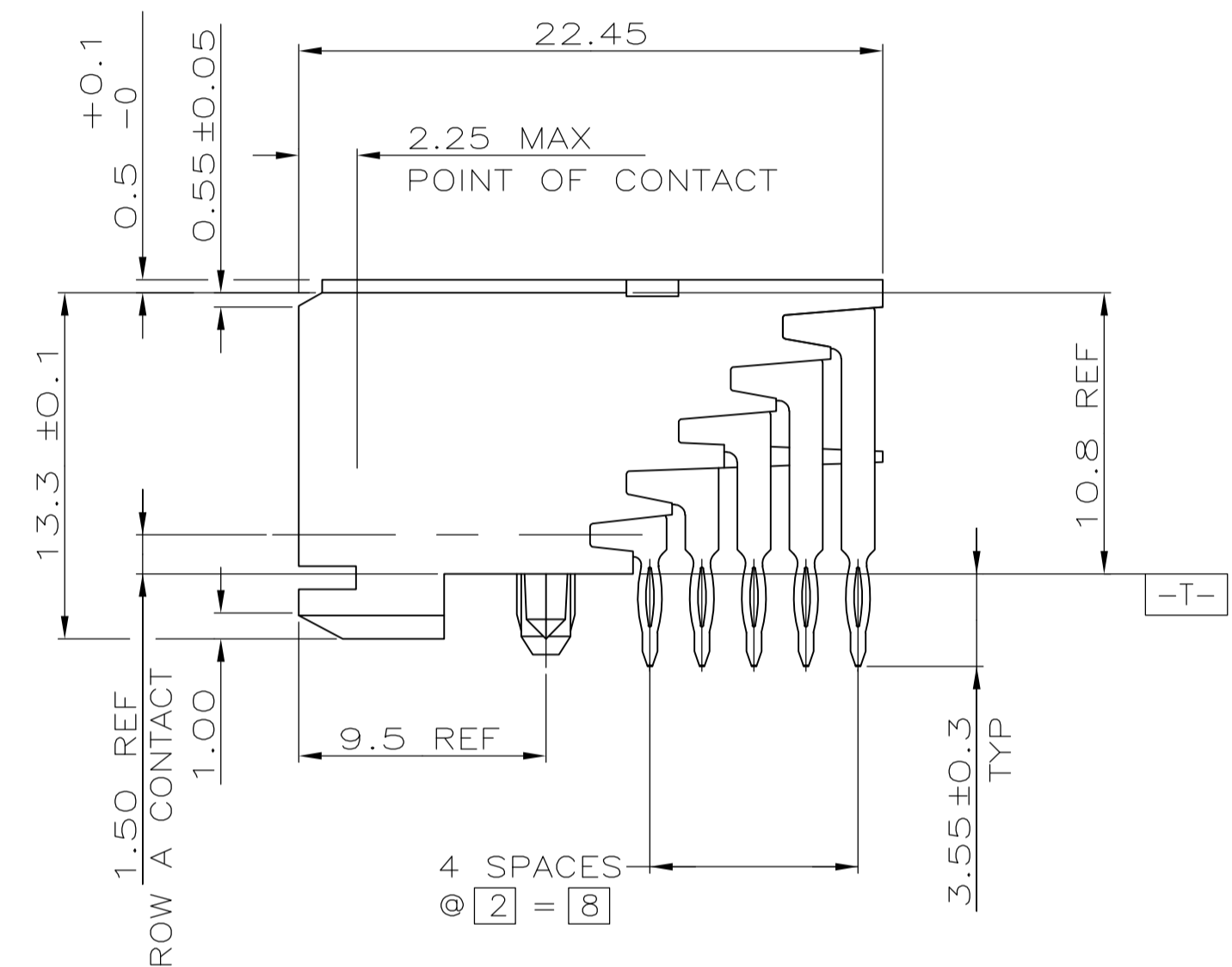
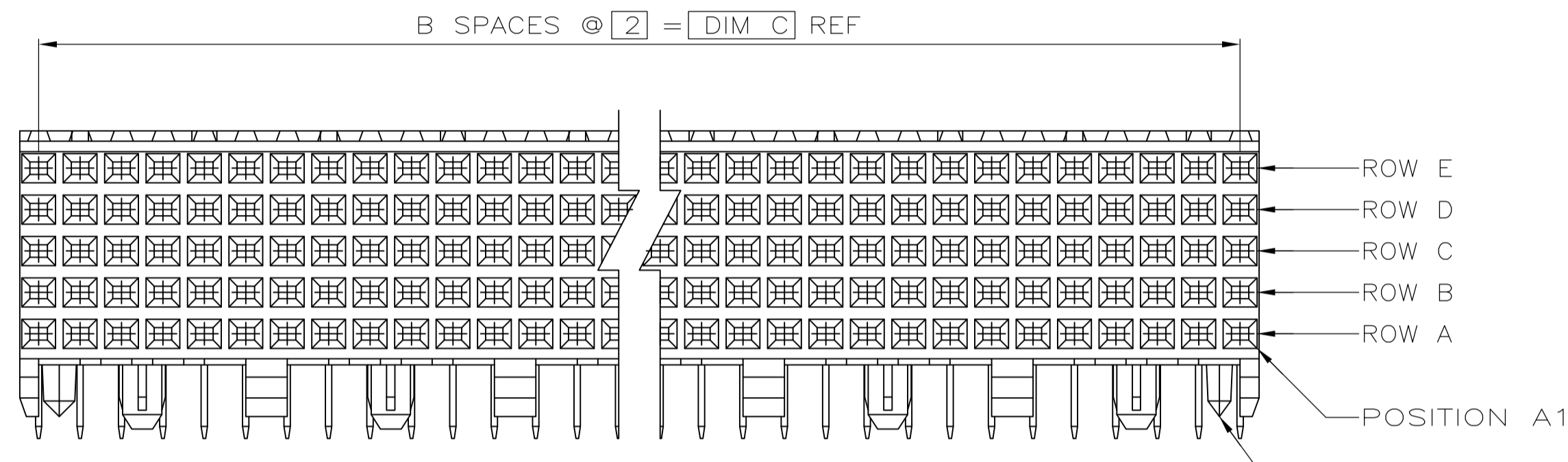


- ① HOUSING MATERIAL: LIQUID CRYSTAL POLYMER  
COLOR: NATURAL.
- ② CONTACT MATERIAL: PHOSPHOR-BRONZE.
- ③ CONTACT FINISH:  
UNDERPLATE (ENTIRE CONTACT):  
0.00127 MIN NICKEL.  
ON MATING SURFACES:  
CONFORMS TO ALL TESTING SPECIFIED FOR TELCORDIA  
UNCONTROLLED ENVIRONMENT.  
ON LEADS  
0.0006 MIN TIN-LEAD OVER UNDERPLATE.  
LUBRICATION (ENTIRE CONTACT):  
SURFACE CONDITIONER PER AMP SPEC 112-1002 AFTER PLATING.
- ④ PART MARKING LOCATED APPROXIMATELY AS SHOWN.
- ⑤ OBSOLETE PARTS: OBSOLETE CIS STREAMLINING PER D.RENAUD/D.SINISI



	OBSOLETE	NO	214	107	215.88	③	540	1-223008-2
⑤	OBSOLETE	NO	130	65	131.88	③	330	<del>1-223008-1</del>
	OBSOLETE	NO	118	59	119.88	③	300	1-223008-0
⑤	OBSOLETE	NO	106	53	107.88	③	270	<del>223008-9</del>
	OBSOLETE	NO	94	47	95.88	③	240	223008-8
	OBSOLETE	NO	82	41	83.88	③	210	223008-7
	OBSOLETE	NO	70	35	71.88	③	180	223008-6
	OBSOLETE	NO	58	29	59.88	③	150	223008-5
	OBSOLETE	NO	46	23	47.88	③	120	223008-4
	OBSOLETE	NO	34	17	35.88	③	90	223008-3
	OBSOLETE	NO	22	11	23.88	③	60	223008-2
	YES		10	5	11.88	③	30	223008-1
	POSITIONING PEGS		C	B	A	FINISH	NO OF SIGNAL POSN	PART NUMBER

RECOMMENDED CIRCUIT PATTERN  
PER IPC-D300 TYPE II, CLASS C  
(COMPONENT SIDE)

THIS DRAWING IS A CONTROLLED DOCUMENT.

DIMENSIONS: mm	TOLERANCES UNLESS OTHERWISE SPECIFIED:	0 PLC ± -	1 PLC ± -	2 PLC ± 0.13	3 PLC ± -	4 PLC ± -	ANGLES ± -
----------------	--	-----------	-----------	--------------	-----------	-----------	------------

MATERIAL: ① ② FINISH: ③

APPROVED: D. SINISI 08/FEB/96

NAME: ASSEMBLY, RECEPTACLE, SIGNAL, RIGHT ANGLE, Z-PACK 2mm FB, 5 ROW, PRESS FIT LEAD

SIZE: A1 00779 C=223008

CUSTOMER DRAWING SCALE: 4:1 SHEET: 1 of 1 REV: R

单击下面可查看定价，库存，交付和生命周期等信息

[>>TE Connectivity\(泰科\)](#)