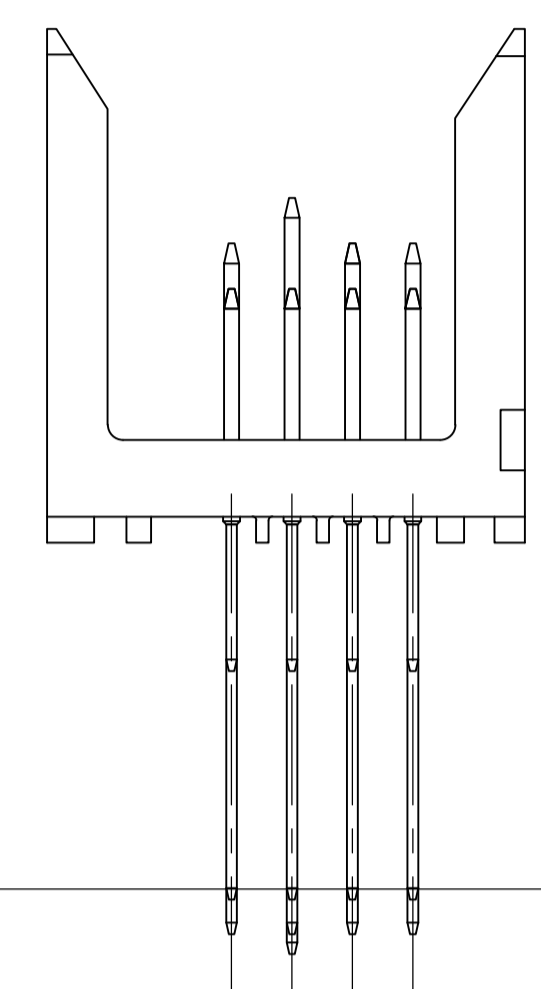


REVISIONS				
P	LTR	DESCRIPTION	DATE	OWN / APPD
C		RELEASED PER ECO-18-019752	18DEC2018	DS / HL

- 1 HOUSING MATERIAL: LIQUID CRYSTAL POLYMER PER ASTM DS138 LCP000 G30A 32250, COLOR: NATURAL.
- 2 CONTACT MATERIAL: PHOSPHOR BRONZE.
- 3 CONTACT FINISH:
 UNDERPLATE (ENTIRE CONTACT):
 0.00127 MIN NICKEL
 ON MATING SURFACES:
 CONFORMS TO ALL TESTING SPECIFIED FOR TELCORDIA UNCONTROLLED ENVIRONMENT.
 ON LEADS:
 0.0006 MIN MATTE TIN OVER UNDERPLATE.
 LUBRICATION (MIN MATING SURFACES):
 SURFACE CONDITIONER AFTER PLATING.
- 4 PART MARKING, LOCATED APPROXIMATELY AS SHOWN.
- 5 DIMENSION APPLIES WHEN SEATED ON PRINTED CIRCUIT BOARD.



OBSOLETE

CODE LETTER	MATING POST LENGTH ±0.10	LEAD LENGTH REF
A	5	4.25
B	5	11.8
AF	6.5	12.95
AE	8	13.6

ROW	1	2	3	4	5	6	7	8	9	10	11	12	13	14	15	16	17	18	19	20	21	22	23	24	25	26	27	28	29	30	31	32	33	34	35	36	37	38	39	40	41	42	43	44	45	46	47	48	49	50	51	52	53	54	55	56	57	58	
D	AF	AF	A	A	A	A	A	A	A	A	A	A	A	A	A	A	A	A	A	A	A	A	A	A	A	A	A	A	A	A	A	A	A	A	A	A	A	A	A	A	A	A	A	A	B	B	B	B	B	B	B	B	B	B	B	B	B	AF	AF
C	AF	AF	A	A	A	A	A	A	A	A	A	A	A	A	A	A	A	A	A	A	A	A	A	A	A	A	A	A	A	A	A	A	A	A	A	A	A	A	A	A	A	A	B	B	B	B	B	B	B	B	B	B	B	B	B	AF	AF		
B	AE	AE	A	A	A	A	A	A	A	A	A	A	A	A	A	A	A	A	A	A	A	A	A	A	A	A	A	A	A	A	A	A	A	A	A	A	A	A	A	A	A	B	B	B	B	B	B	B	B	B	B	B	B	B	AE	AE			
A	AF	AF	A	A	A	A	A	A	A	A	A	A	A	A	A	A	A	A	A	A	A	A	A	A	A	A	A	A	A	A	A	A	A	A	A	A	A	A	A	A	A	A	B	B	B	B	B	B	B	B	B	B	B	B	AF	AF			

SEQUENCE FOR 5223166-1

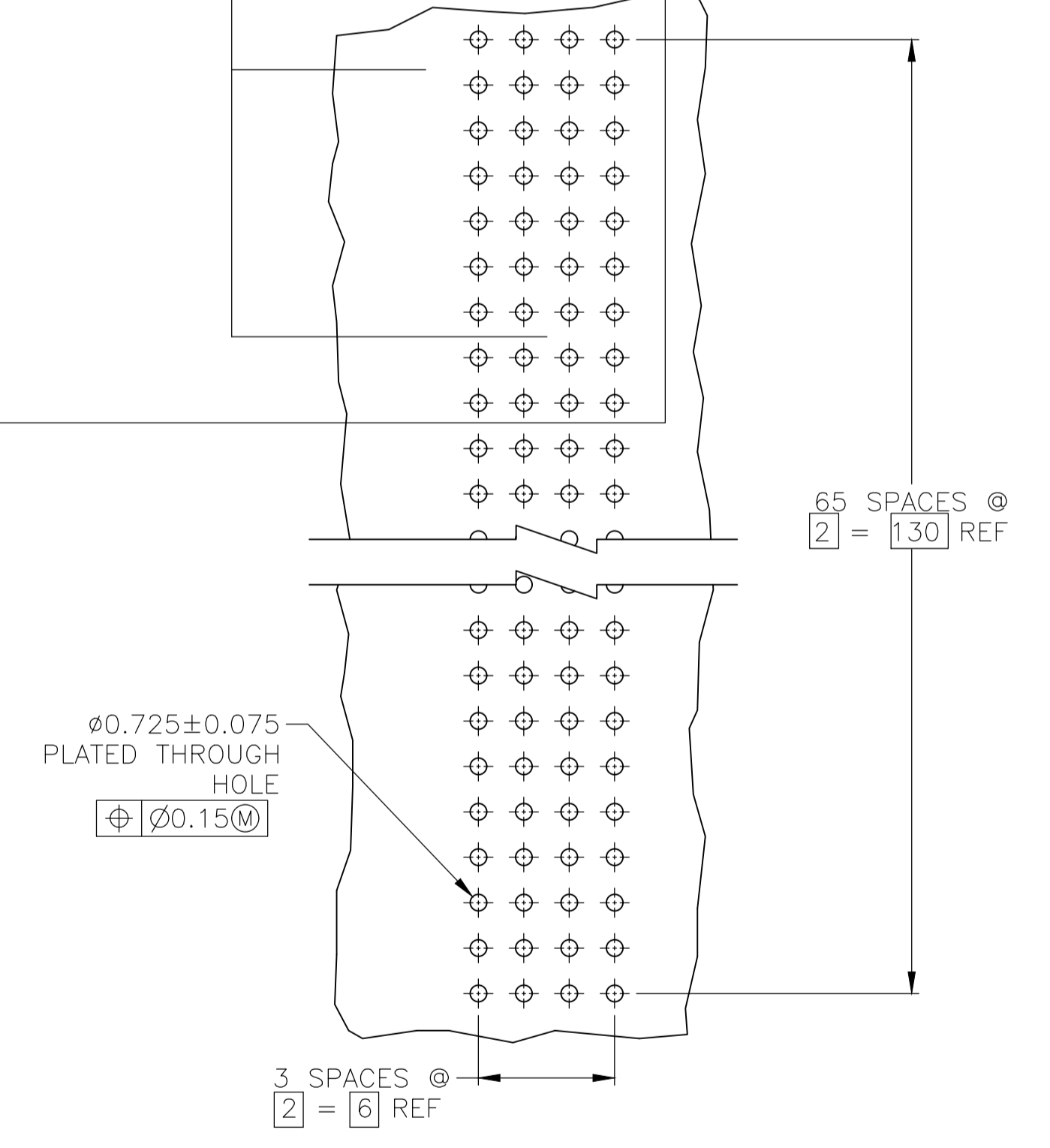
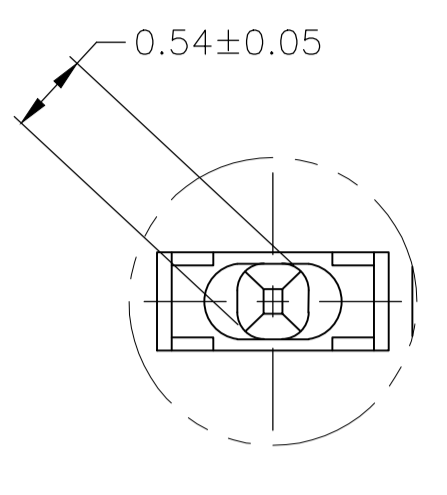
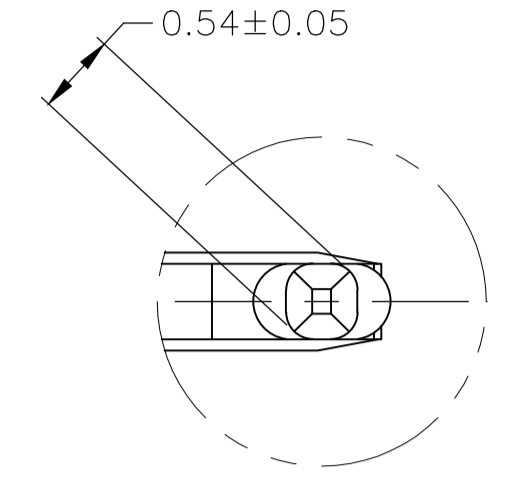
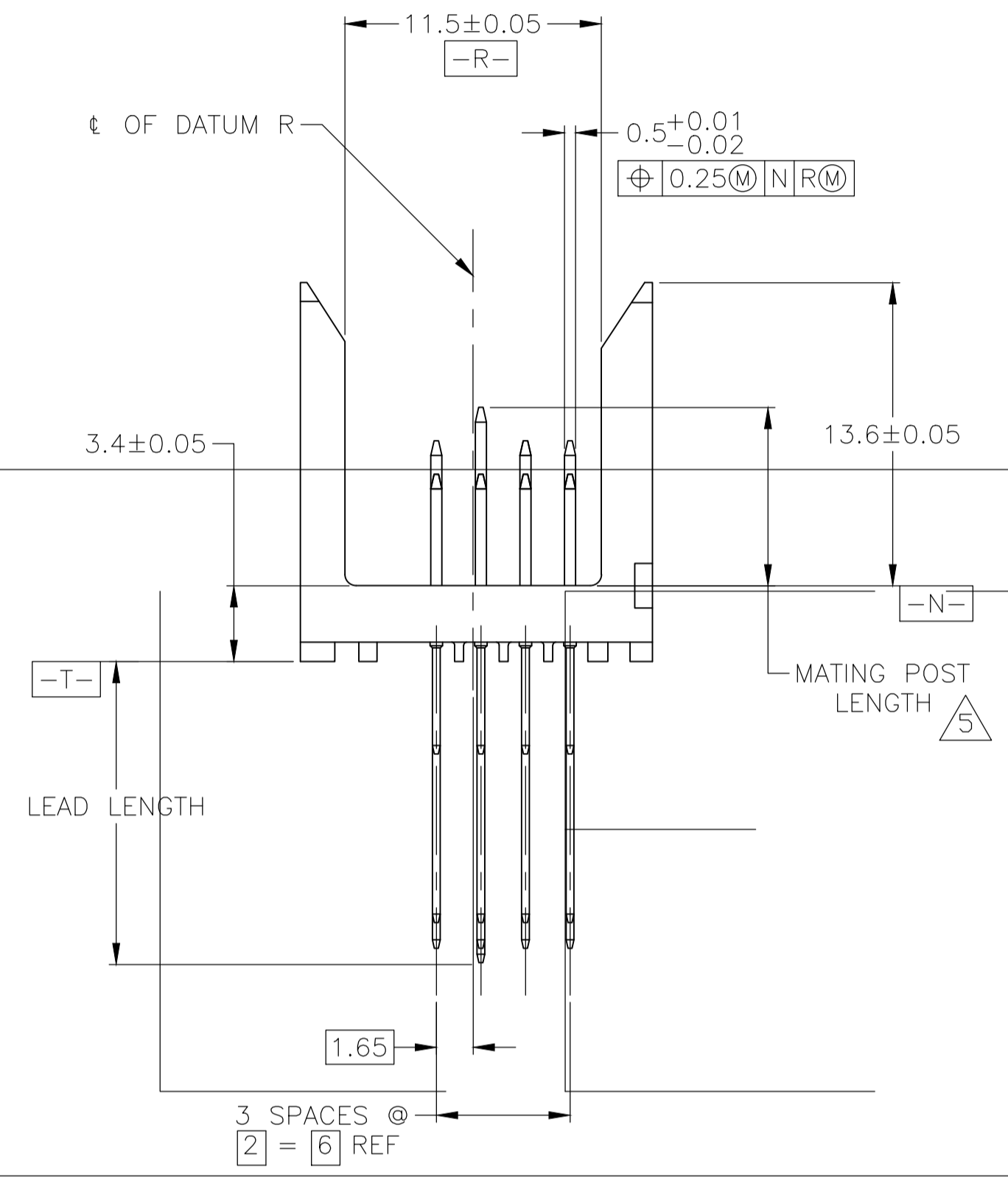
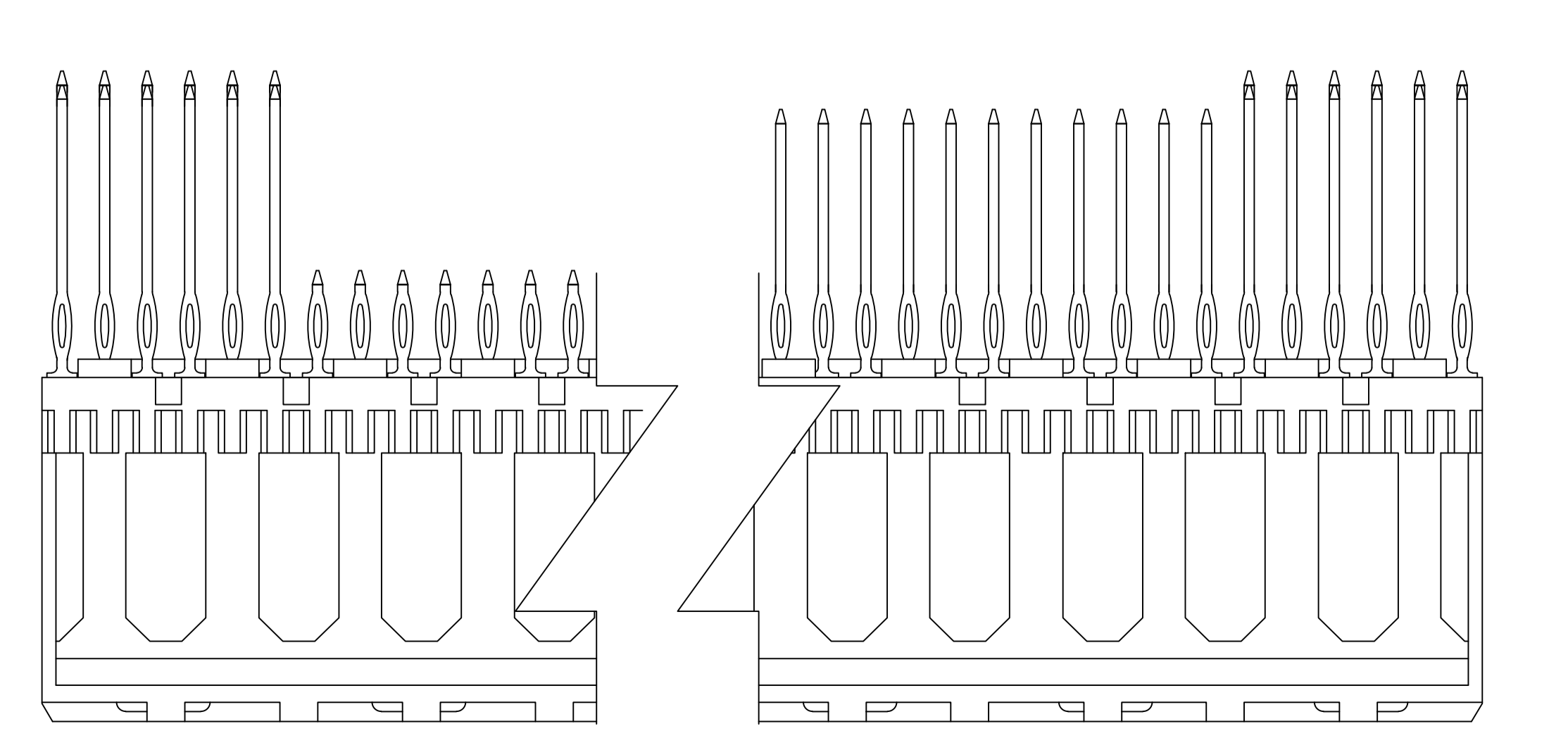
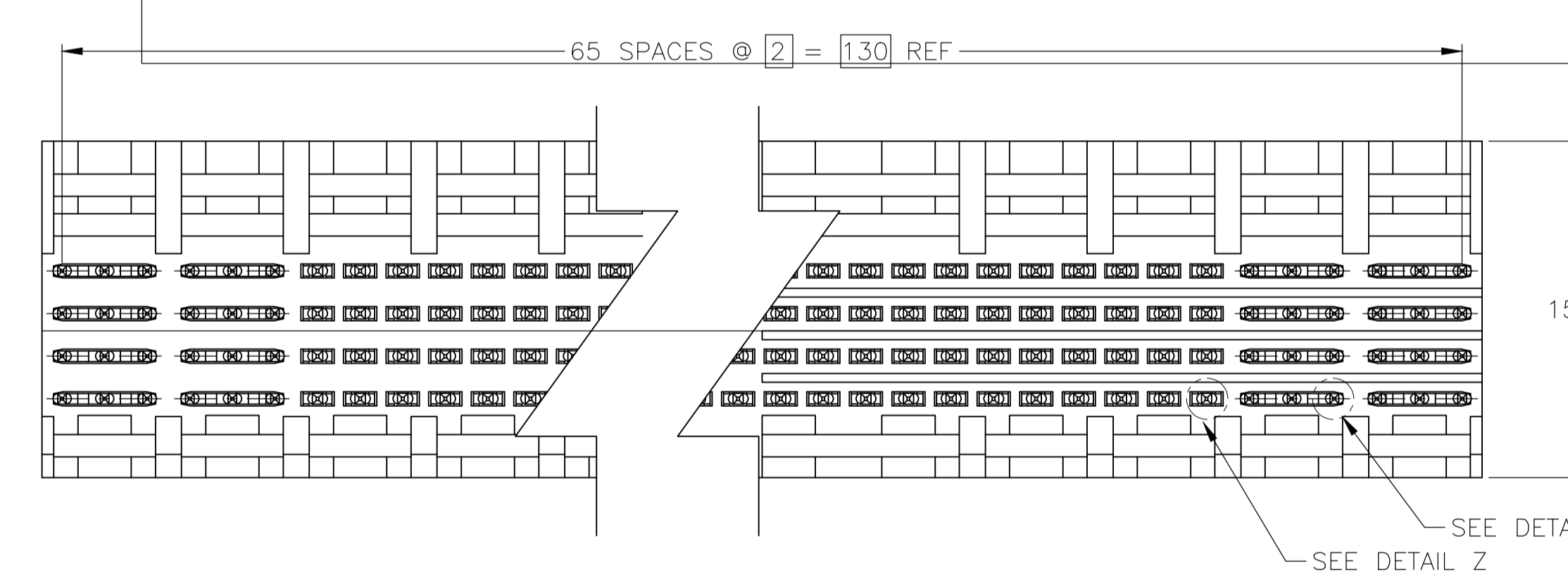
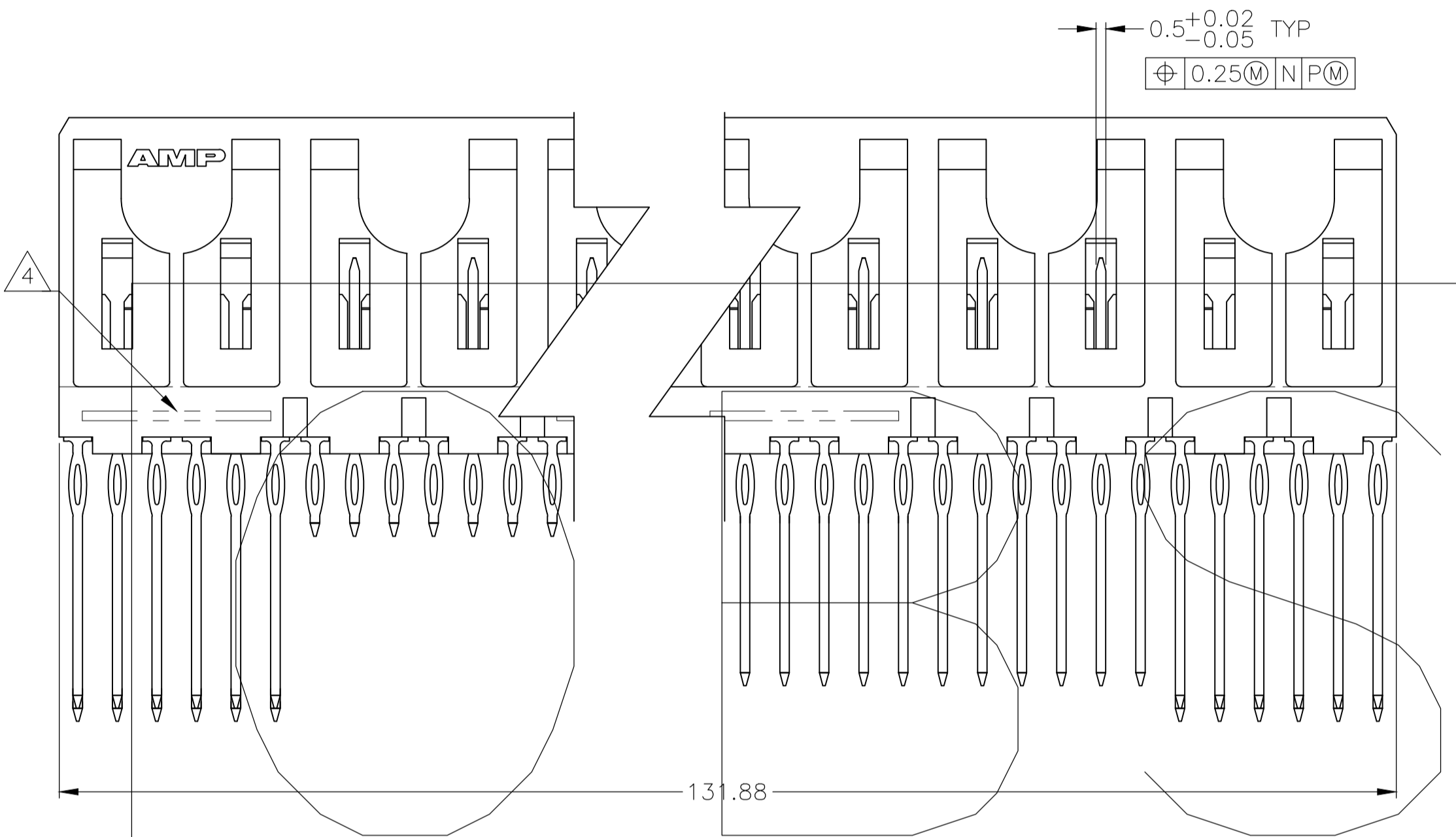
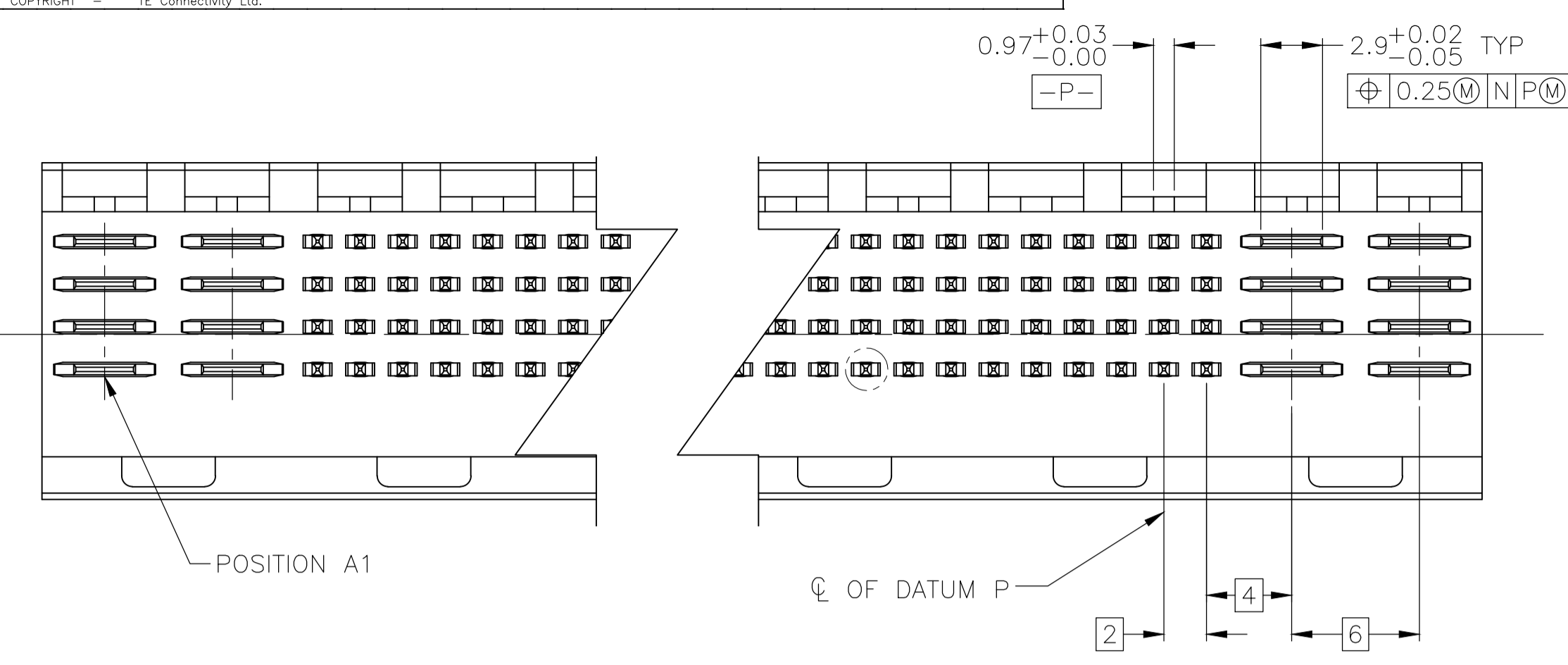
THIS DRAWING IS A CONTROLLED DOCUMENT. DWG: D.HUMBERT 28SEP2007

DIMENSIONS: MM 0. PLC ± - 1. PLC ± - 2. PLC ± 0.13 3. PLC ± - 4. PLC ± - ANGLES FINISH	TOLERANCES UNLESS OTHERWISE SPECIFIED: PRODUCT SPEC APPLICATION SPEC
MATERIAL: 1 2 3	WEIGHT: - CUSTOMER DRAWING

TE Connectivity Ltd.
 PIN ASSEMBLY, SIGNAL/POWER MIX,
 Z-PACK 2mm FB, PRESS FIT,
 8 POWER - 216 SIGNAL - 8 POWER

SIZE: A1 CAGE CODE: 00779 DRAWING NO: 5223166 RESTRICTED TO:
 SCALE: 4:1 SHEET 1 OF 2 REV C

REVISIONS				
P	LTR	DESCRIPTION	DATE	APPV
-	-	SEE SHEET 1	-	-



RECOMMENDED CIRCUIT PATTERN
PER IPC-D300 TYPE II, CLASS C
(COMPONENT SIDE)

3	216	16	5223166-1
FINISH	NO OF SIGNAL POSN	NO OF POWER POSN	PART NUMBER

THIS DRAWING IS A CONTROLLED DOCUMENT.		DIN D. HUMBERT 28SEPT2007	
DIMENSIONS: 1/16		CIRK A. SHARPE 20AUG2007	
TOLERANCES UNLESS OTHERWISE SPECIFIED:		APV/A. SHARPE 20AUG2007	
0. PLC	± -	NAME	
1. PLC	± -	PIN ASSEMBLY, SIGNAL/POWER MIX, FB, PRESS FIT.	
2. PLC	± 0.13	APPLICATION SPEC	
3. PLC	± -	8 POWER - 216 SIGNAL - 8 POWER	
4. PLC	± -	SIZE CAGE CODE DRAWING NO RESTRICTED TO	
ANGLES	± -	A1 00779 5223166	
MATERIAL	FINISH	WEIGHT	CUSTOMER DRAWING
1/2	3	SCALE 4:1	SHEET 2 OF 2 REV C

单击下面可查看定价，库存，交付和生命周期等信息

[>>TE Connectivity\(泰科\)](#)