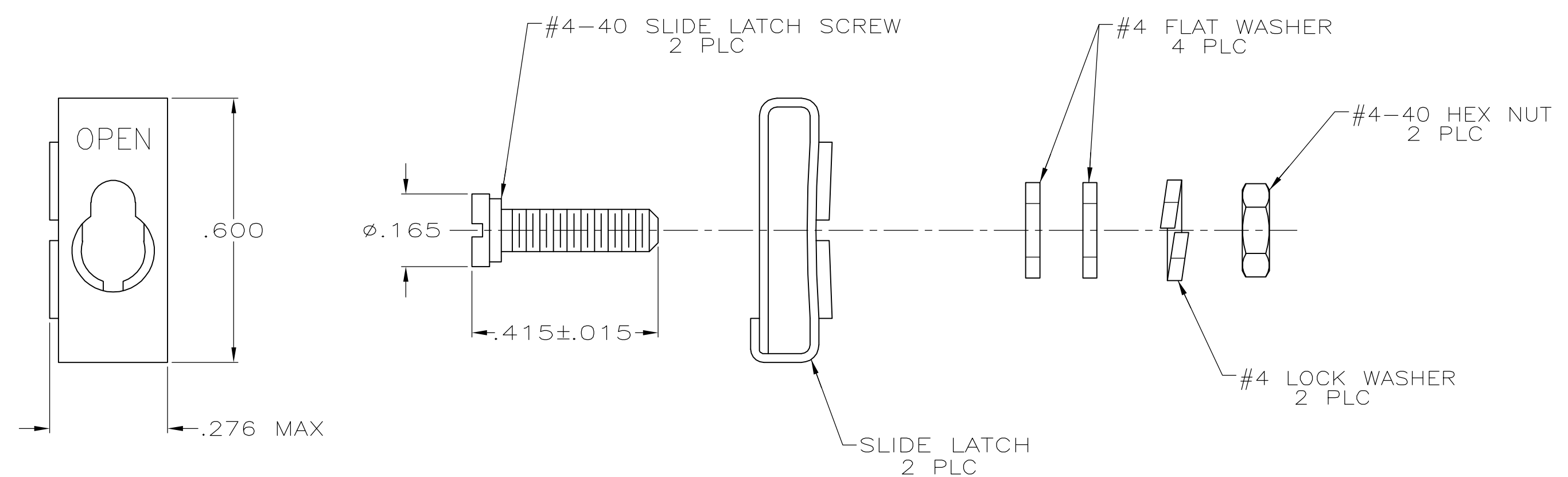


THIS DRAWING IS UNPUBLISHED. RELEASED FOR PUBLICATION
 © COPYRIGHT - BY TYCO ELECTRONICS CORPORATION. ALL RIGHTS RESERVED.

LOC	DIST	REVISIONS					
GP	00	P	LTR	DESCRIPTION	DATE	DWN	APVD
		0		RELEASED PER EC 0S13-0207-05	28JUN05	SW	JG



- 1. PARTS PACKAGED UNASSEMBLED.
- 2. PARTS PACKAGED AS A UNIT KIT.
- 3. PARTS INDIVIDUALLY BULK PACKED & SHIPPED AS A UNIT PACKAGE.
- 4. ZINC PLATED .000200-.000400 THICK, YELLOW CHROMATE COATING.
- 5. THIS KIT CAN BE USED WITH ONE-PIECE STRAIGHT/45° EXIT CABLE CLAMPS, ONE-PIECE STRAIGHT/90° EXIT CABLE CLAMPS, OR ON CONNECTORS WITHOUT CABLE CLAMPS.

3	5206942-2
2	5206942-1
PACKAGING	PART NO

THIS DRAWING IS A CONTROLLED DOCUMENT.		DWN S.WAITMAN 28JUN05	Tyco Electronics Corporation Harrisburg, Pa 17105-3608	
DIMENSIONS: INCHES		CHK C.ROHDE 28JUN05		
TOLERANCES UNLESS OTHERWISE SPECIFIED:		APVD M.WALMSLEY 28JUN05	NAME	
0 PLC ± - 1 PLC ± - 2 PLC ± - 3 PLC ± .005 4 PLC ± - ANGLES ± -		PRODUCT SPEC -	KIT, TWO-PIECE SLIDE LATCH, SIZES 1 THRU 4, AMPLIMITE	
MATERIAL SLIDE LATCH: STAINLESS STEEL HARDWARE: STEEL		FINISH	APPLICATION SPEC -	RESTRICTED TO -
HARDWARE: 4		WEIGHT -	SIZE A3	CAGE CODE 00779
CUSTOMER DRAWING			DRAWING NO C-5206942	SCALE 4:1
			SHEET 1 OF 1	REV 0

单击下面可查看定价，库存，交付和生命周期等信息

[>>TE Connectivity\(泰科\)](#)