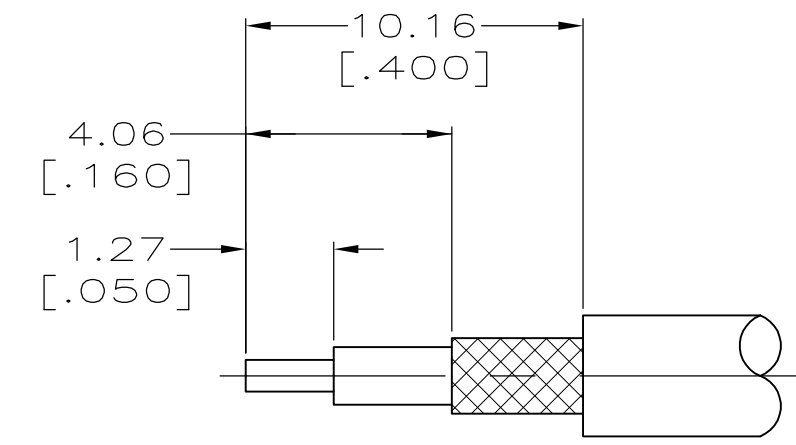
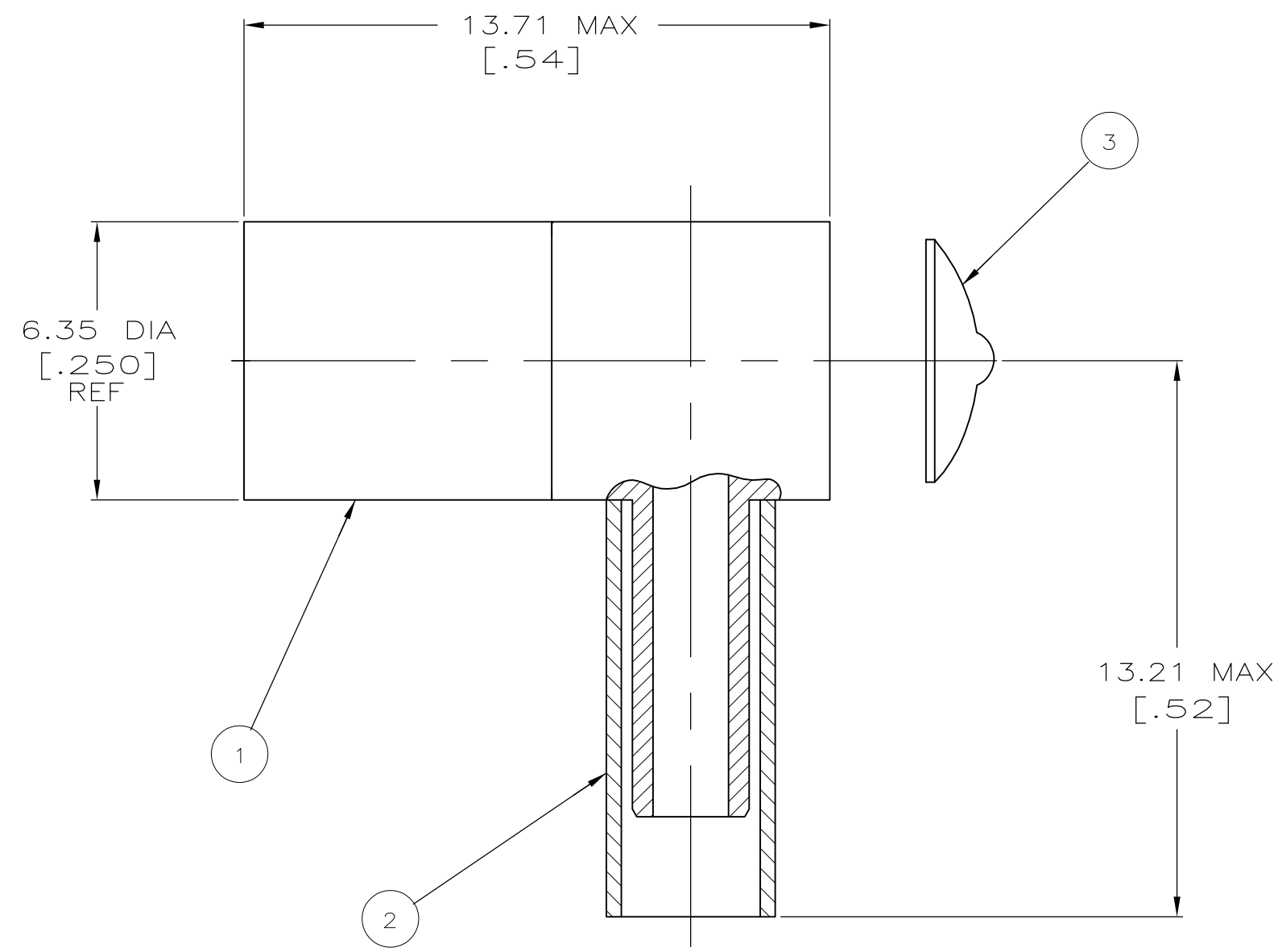


LOC	DIST	REVISIONS		
AJ	16	P	LTR	DESCRIPTION
		L2		REVISED PER ECO-11-005030
			DATE	DWN
			11MAR11	RK
				APVD
				HMR



RECOMMENDED STRIP LENGTHS
SCALE NTS

- 1. INTERFACE PER MIL-C-39012.
- 2. SEE INSTRUCTION SHEET 408-2987-9.
- 3. USES SCREW MACHINED CONTACT.
- 4. OBSOLETE PARTS: OBSOLETE CIS STREAMLINING PER D.RENAUD/D.SINISI

OBSOLETE	C	58483-1	.151	HX4-1637	414013-3	1-413889-4	414364-6	RG 174,188,316(ALL DBL SHIELDED)	3-414363-4			
OBSOLETE	C	58483-1	.151	HX4-1637	414013-3	1-413889-4	414364-1	RG 174,188,316(ALL DBL SHIELDED)	1-414363-2			
4 OBSOLETE	C	58483-1	.151	HX4-1637	414013-3	1-413889-4	414364-1	RG 174,188,316(ALL DBL SHIELDED)	1-414363-1			
OBSOLETE	A	58483-1	.105	HX4-1637	414013-3	1-413889-5	414364-4	RG 178,196	414363-9			
	A	58483-1	.105	HX4-1637	414013-3	1-413889-5	414364-3	RG 178,196	414363-8			
OBSOLETE	C	58483-1	.151	HX4-1637	414013-3	1-413889-4	414364-2	RG 174,188,316(ALL DBL SHIELDED)	414363-6			
	B	58483-1	.128	HX4-1637	414013-3	1-413889-3	414364-2	RG 174,188,316	414363-5			
	C	58483-1	.151	HX4-1637	414013-3	1-413889-4	414364-1	RG 174,188,316(ALL DBL SHIELDED)	414363-4			
	B	58483-1	.128	HX4-1637	414013-3	1-413889-3	414364-1	RG 174,188,316	414363-3			
	POSITION LETTER	AMP DIE SET	HEX SIZE	DANIELS DIE SET	3	END CAP QTY=1	2	FERRULE QTY=1	1	PLUG ASSY QTY=1	CABLE	PART NO
		PRO-CRIMPER FOR BRAID CRIMP	M 22520/5-01 FOR BRAID CRIMP									

TOOLING INFORMATION

THIS DRAWING IS A CONTROLLED DOCUMENT.

DIMENSIONS: MM [INCHES]	TOLERANCES UNLESS OTHERWISE SPECIFIED:	DWN B. MOYER 19JUN92	 TE Connectivity																										
<table border="1"> <tr><td>0 PLC</td><td>± -</td></tr> <tr><td>1 PLC</td><td>± -</td></tr> <tr><td>2 PLC</td><td>± 0.25 [.010]</td></tr> <tr><td>3 PLC</td><td>± 0.130 [.005]</td></tr> <tr><td>4 PLC</td><td>± -</td></tr> </table>	0 PLC	± -		1 PLC	± -	2 PLC	± 0.25 [.010]	3 PLC	± 0.130 [.005]	4 PLC	± -	<table border="1"> <tr><td>FINISH</td><td>-</td></tr> </table>	FINISH	-	<table border="1"> <tr><td>CHK J. FLANAGAN 25JUN92</td><td>APVD -</td></tr> <tr><td>PRODUCT SPEC</td><td>-</td></tr> <tr><td>APPLICATION SPEC</td><td>-</td></tr> </table>	CHK J. FLANAGAN 25JUN92	APVD -	PRODUCT SPEC	-	APPLICATION SPEC	-	<table border="1"> <tr><td>NAME</td><td>PLUG,RTANG CRIMP,HEX CRIMP,SMB</td></tr> <tr><td>SIZE</td><td>A2</td></tr> <tr><td>CAGE CODE</td><td>00779</td></tr> <tr><td>DRAWING NO</td><td>414363</td></tr> </table>	NAME	PLUG,RTANG CRIMP,HEX CRIMP,SMB	SIZE	A2	CAGE CODE	00779	DRAWING NO
0 PLC	± -																												
1 PLC	± -																												
2 PLC	± 0.25 [.010]																												
3 PLC	± 0.130 [.005]																												
4 PLC	± -																												
FINISH	-																												
CHK J. FLANAGAN 25JUN92	APVD -																												
PRODUCT SPEC	-																												
APPLICATION SPEC	-																												
NAME	PLUG,RTANG CRIMP,HEX CRIMP,SMB																												
SIZE	A2																												
CAGE CODE	00779																												
DRAWING NO	414363																												
MATERIAL		WEIGHT	RESTRICTED TO																										

CUSTOMER DRAWING SCALE 8:1 SHEET 1 OF 1 REV L2

单击下面可查看定价，库存，交付和生命周期等信息

[>>TE Connectivity\(泰科\)](#)