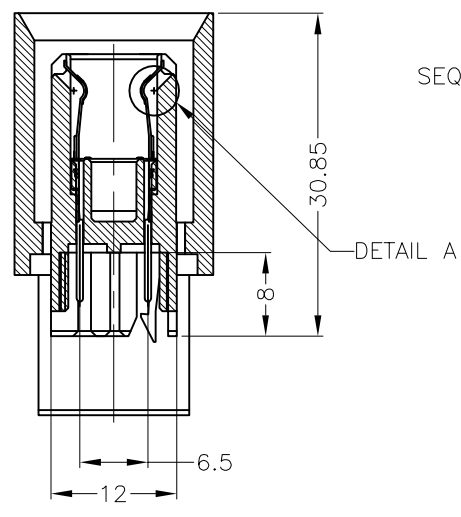
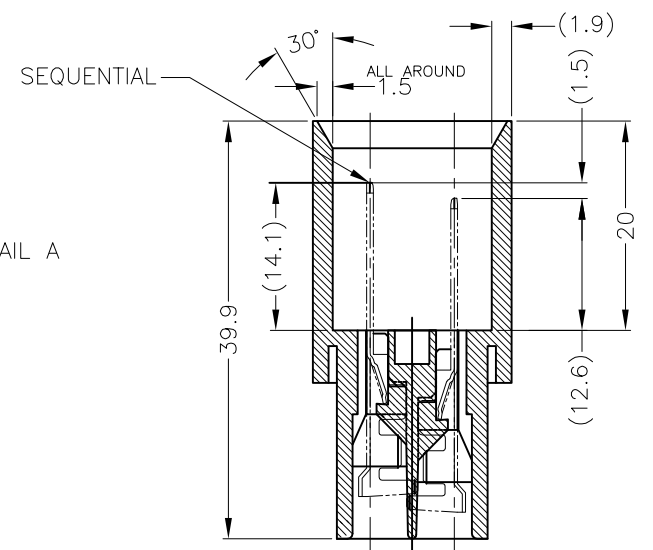


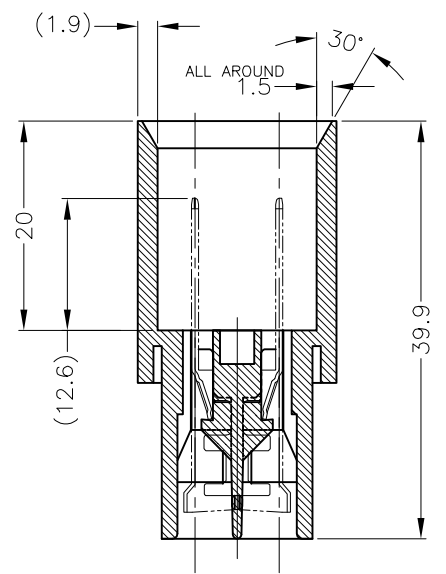
LOC		DIST		REVISIONS			
P	LTR	DESCRIPTION	DATE	DWN	APVD		
ES	00						
A		NEW RELEASE FB00-0038-04	10MAR04	S.X	T.S		
B		RELEASED BY ECR-12-002540	13MAR12	T.Q	S.Y		



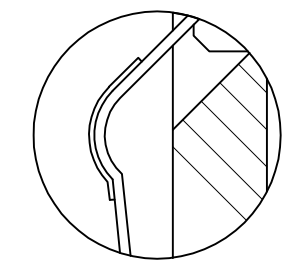
SIGNAL SECTION
SECTION B-B



POWER SECTION
SECTION C-C

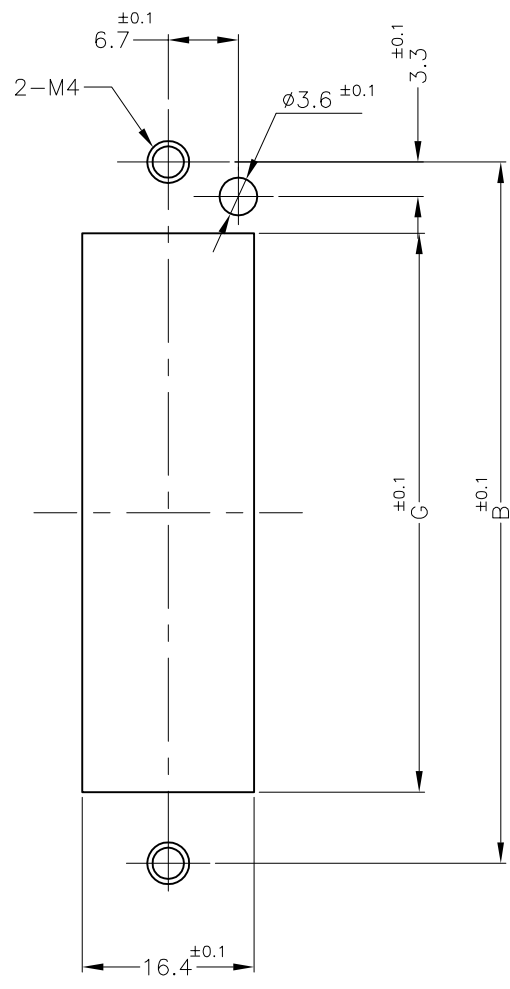


POWER SECTION
SECTION A-A

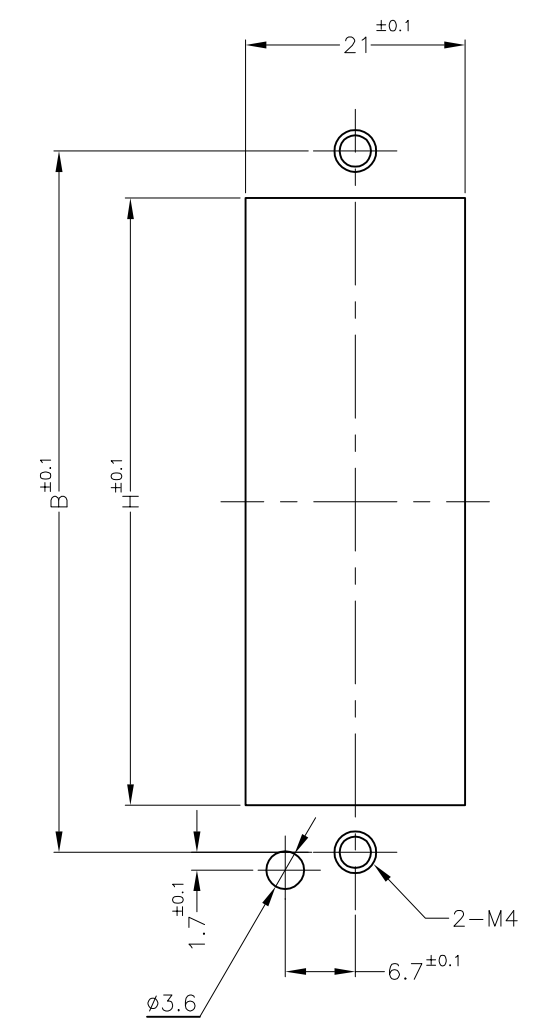


DETAIL A

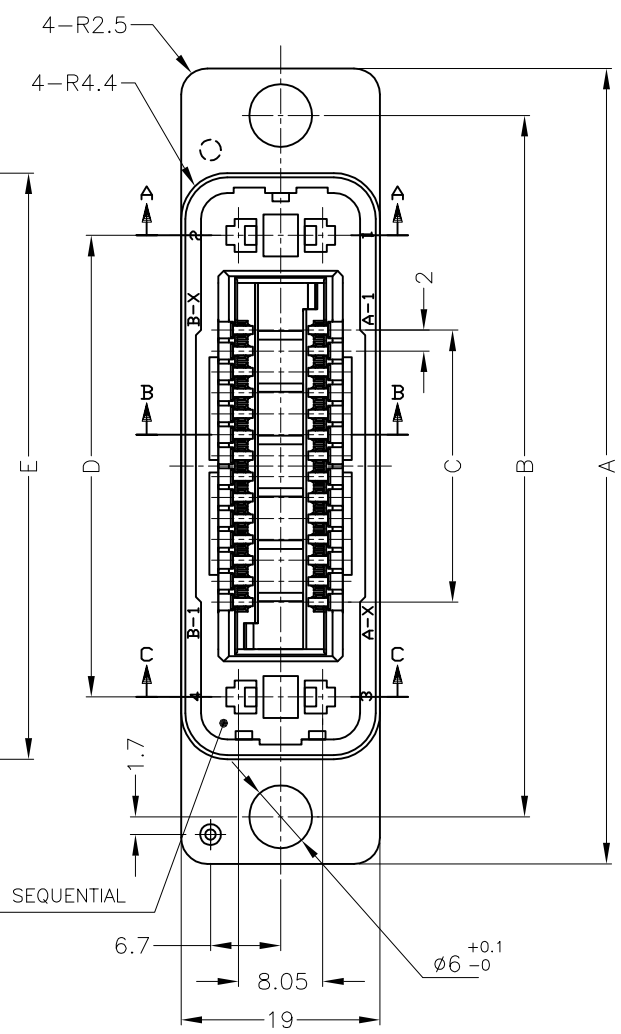
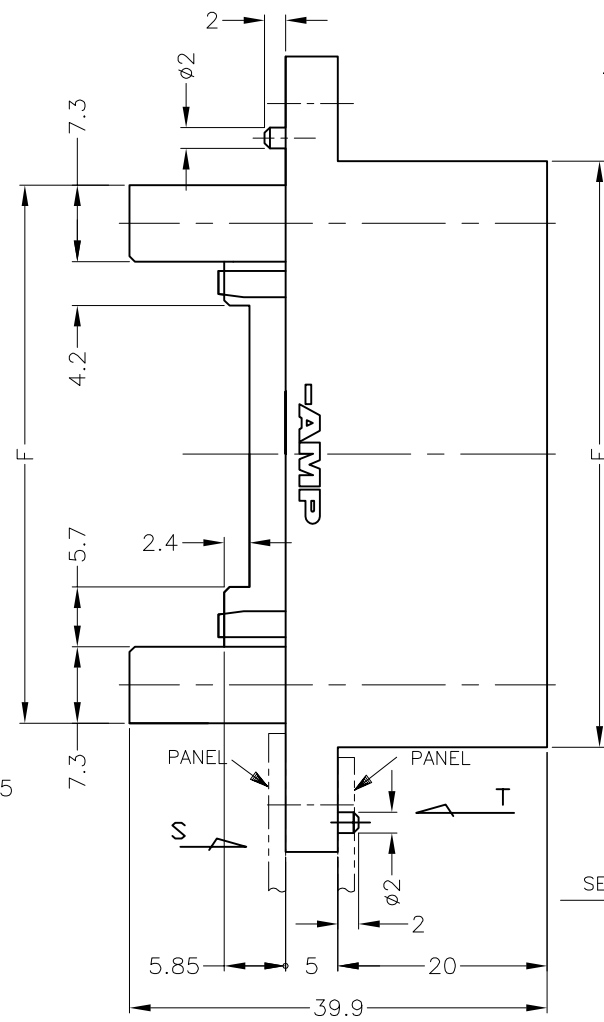
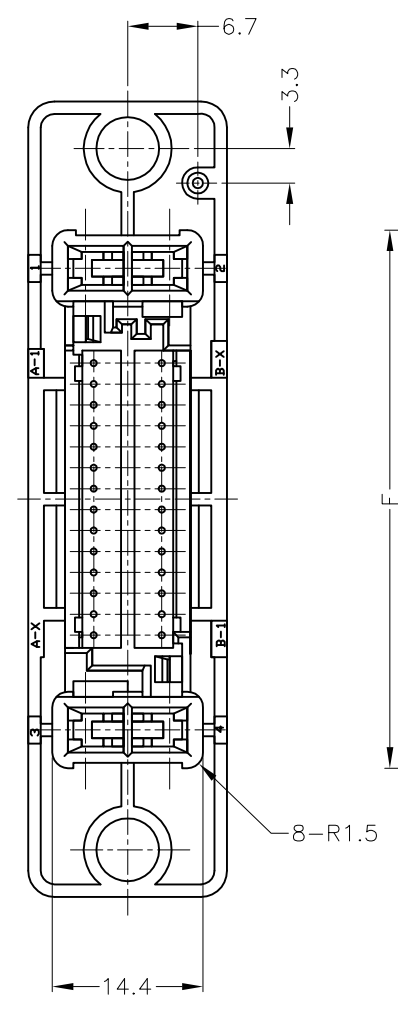
PANEL CUT DIMENSIONS



VIEW S



VIEW T



3. APPLIED POWER CONTACT P/N

FINISH	AWG	STRIP
GOLD PL.	#16~20	179321-3
TIN PL.	#20~24	179322-3
GOLD PL.	#16~20	1-179321-2
TIN PL.	#20~24	1-179322-2

▲ P:NUMBER OF POWER CONTACT (UNLOADED)
 S:NUMBER OF SIGNAL CONTACT (PRELOADED)

GENERAL TOLERANCE

10 ≥	±0.2
30 ≥	>10 ; ±0.25
100 ≥	>30 ; ±0.3
ANGLE	±3°

- NOTES
- MATERIAL
 HOUSING:THERMO PLASTIC
 CONTACT: COPPER ALLOY
 - CONTACT FINISH
 MATING SIDE:NICKEL PL.ALL OVER GOLD PL.
 CT MATING SIDE:NICKEL PL.ALL OVER TIN PL.

2-175133-0	1-173977-0	2-179323-0	50	45.4	43.4	48	36.1	18	59	68	4-20	2-292328-0
APPLIED CT HOLDER P/N	APPLIED CT CONN P/N	MATING COUNTER P/N	H	G	F	E	D	C	B	A	POS (P-S)	P/N

THIS DRAWING IS A CONTROLLED DOCUMENT.

DIMENSIONS: mm	TOLERANCES UNLESS OTHERWISE SPECIFIED.	DWN SUNNY.XU	03MAR2004	Tyco Electronics Corporation Shanghai, P.R.China, 200233
0 PLC ±	1 PLC ±	CHK S.YAO	03MAR04	
2 PLC ±	3 PLC ±	APVD T.SASAKI	03MAR04	NAME
4 PLC ±	ANGLES ±	PRODUCT SPEC		108-60022
		APPLICATION SPEC		114-5182
MATERIAL SEE NOTE	FINISH SEE NOTE	WEIGHT		SIZE A2
		CUSTOMER DRAWING		CAGE CODE 00779
				DRAWING NO C=292328
				RESTRICTED TO
				SCALE NTS
				SHEET 1 OF 1
				REV B

单击下面可查看定价，库存，交付和生命周期等信息

[>>TE Connectivity\(泰科\)](#)