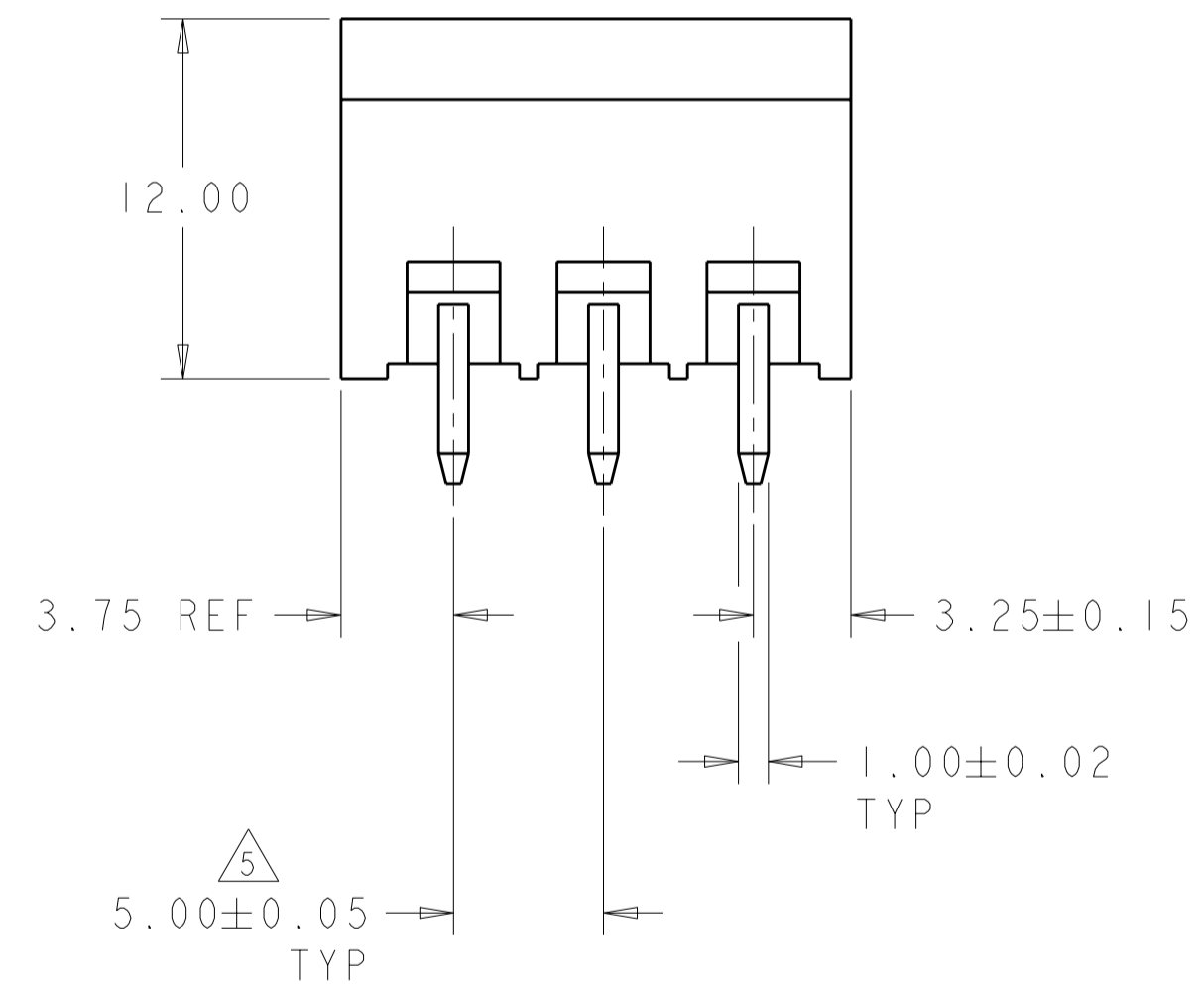
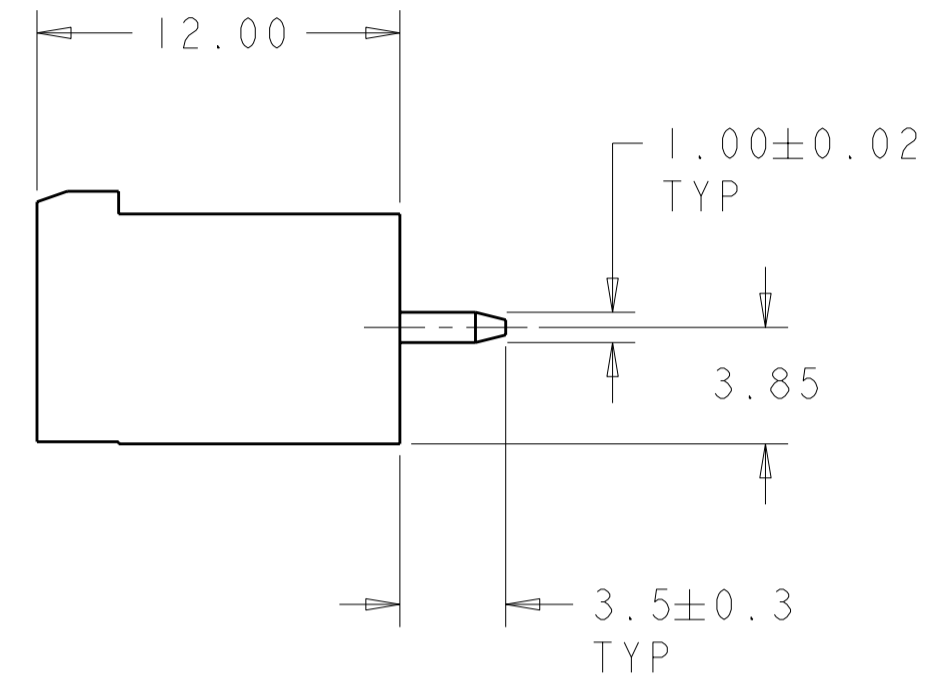
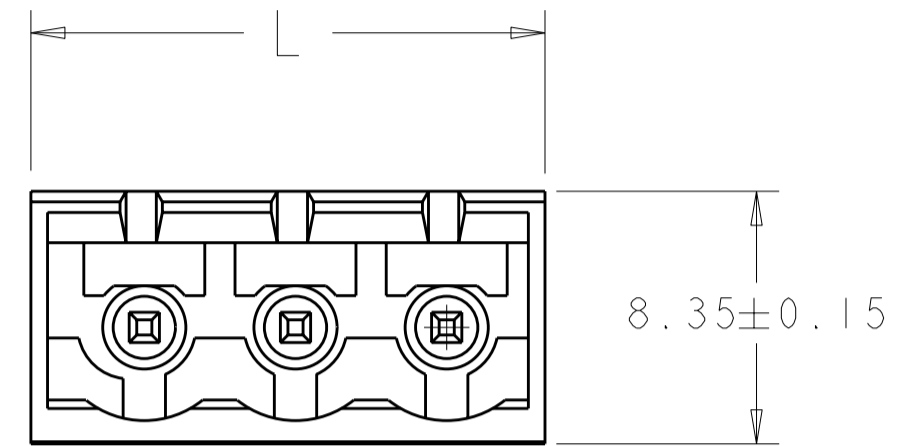


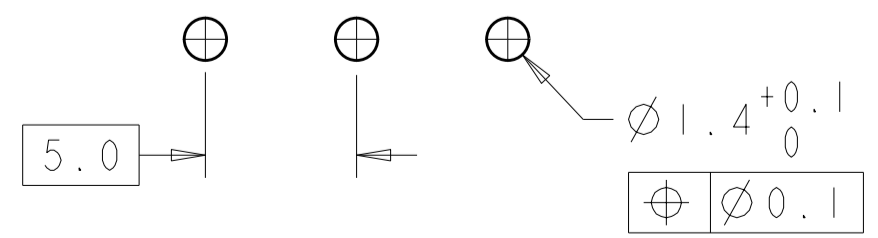
THIS DRAWING IS UNPUBLISHED. RELEASED FOR PUBLICATION 20
 © COPYRIGHT 20 Tyco Electronics AMP GmbH ALL RIGHTS RESERVED.

LOC	DIST	REVISIONS			
P	LTR	DESCRIPTION	DATE	DWN	APVD
FT	0	AI	REVISED PER ECO-12-007964	02MAY2012	KH MS



- 1. MATERIALS AND FINISH:
 HOUSING: PA 6-6, UL 94-V0, COLOR: GRAY.
 TERMINAL: COPPER ALLOY, TIN PLATED.
- 2. SUITABLE FOR 1,6-2, 4mm PC BOARD THICKNESS.
- 3. RECOGNIZED UNDER THE COMPONENT PROGRAM OF UNDERWRITERS LABORATORIES INC. FILE N° E60677.
- 4. IMQ CERTIFICATE WITH SURVEILLANCE IN CONFORMITY WITH IEC 998-1/998-2-1.)
- 5. NOT CUMULATIVE TOLERANCE
- 6. BUCHANAN LOGO TO APPEAR ON HOUSING, LOCATION OPTIONAL WHERE SPACE PERMITS.

127.0	25	2-1546211-5
122.0	24	2-1546211-4
117.0	23	2-1546211-3
112.0	22	2-1546211-2
107.0	21	2-1546211-1
102.0	20	2-1546211-0
97.0	19	1-1546211-9
92.0	18	1-1546211-8
87.0	17	1-1546211-7
82.0	16	1-1546211-6
77.0	15	1-1546211-5
72.0	14	1-1546211-4
67.0	13	1-1546211-3
62.0	12	1-1546211-2
57.0	11	1-1546211-1
52.0	10	1-1546211-0
47.0	9	1546211-9
42.0	8	1546211-8
37.0	7	1546211-7
32.0	6	1546211-6
27.0	5	1546211-5
22.0	4	1546211-4
17.0	3	1546211-3
12.0	2	1546211-2
L	NO OF POSN	PART NUMBER



RECOMMENDED PC BOARD LAYOUT

THIS DRAWING IS A CONTROLLED DOCUMENT.		DWN S. WELDON 05NOV2003	TE Connectivity	
DIMENSIONS: mm		CHK C. RICHARD 05NOV2003		
TOLERANCES UNLESS OTHERWISE SPECIFIED:		APVD C. RICHARD 05NOV2003	NAME: TERMINAL BLOCK HEADER ASSEMBLY	
0 PLC ±		PRODUCT SPEC	180 DEGREE, CLOSED ENDS, 5.00mm PITCH	
1 PLC ±0.3		APPLICATION SPEC	5.00mm PITCH	
2 PLC ±0.25		WEIGHT	SIZE A2	CAGE CODE C-1546211
3 PLC ±		CUSTOMER DRAWING	SCALE 4:1	SHEET 1 OF 1
4 PLC ±				REV AI
ANGLES ±				
FINISH				

单击下面可查看定价，库存，交付和生命周期等信息

[>>TE Connectivity\(泰科\)](#)