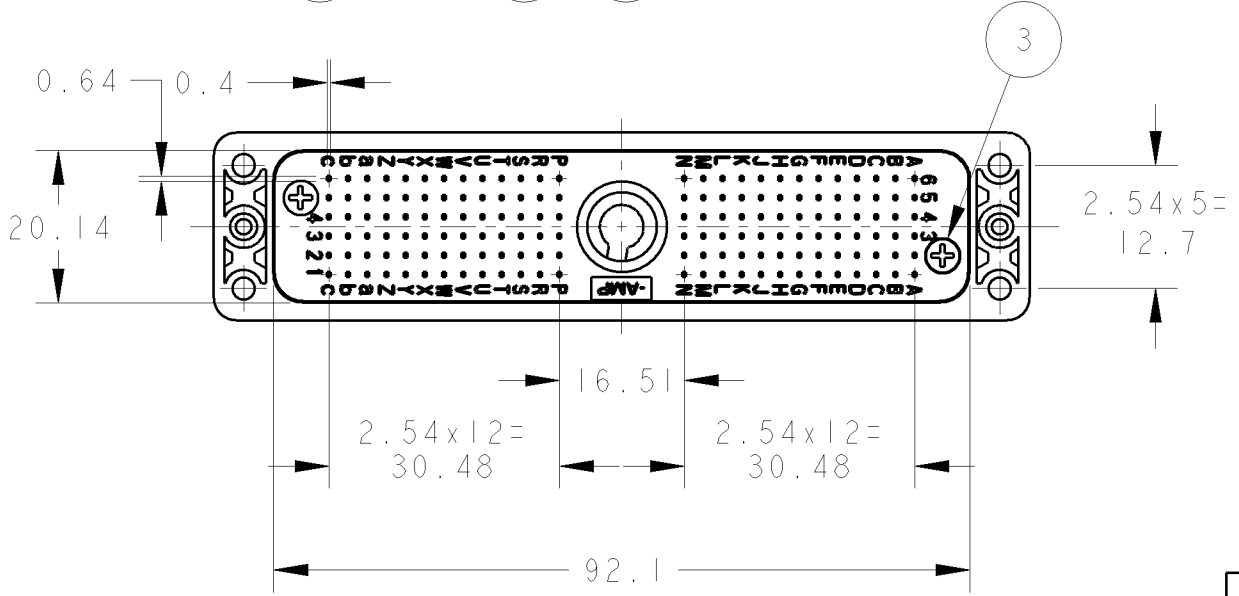
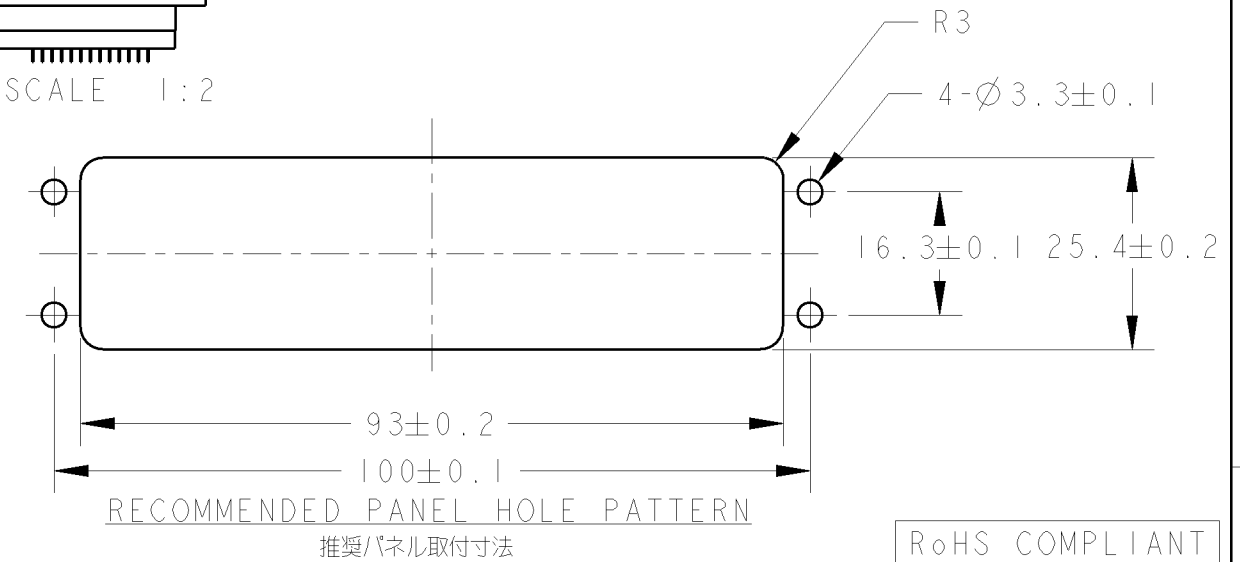
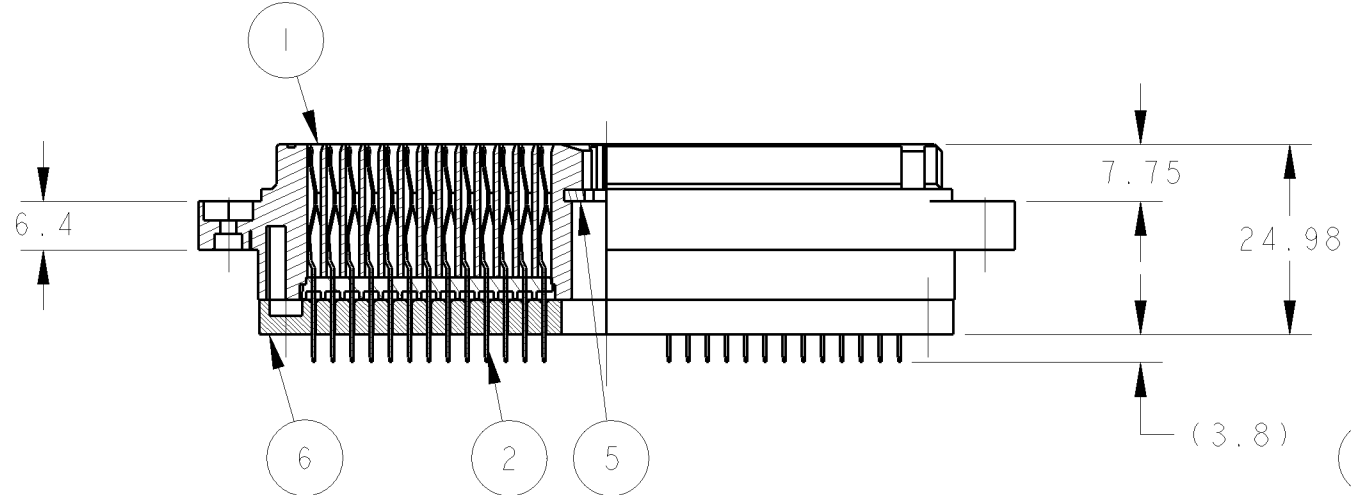
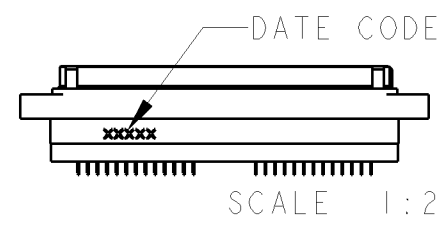
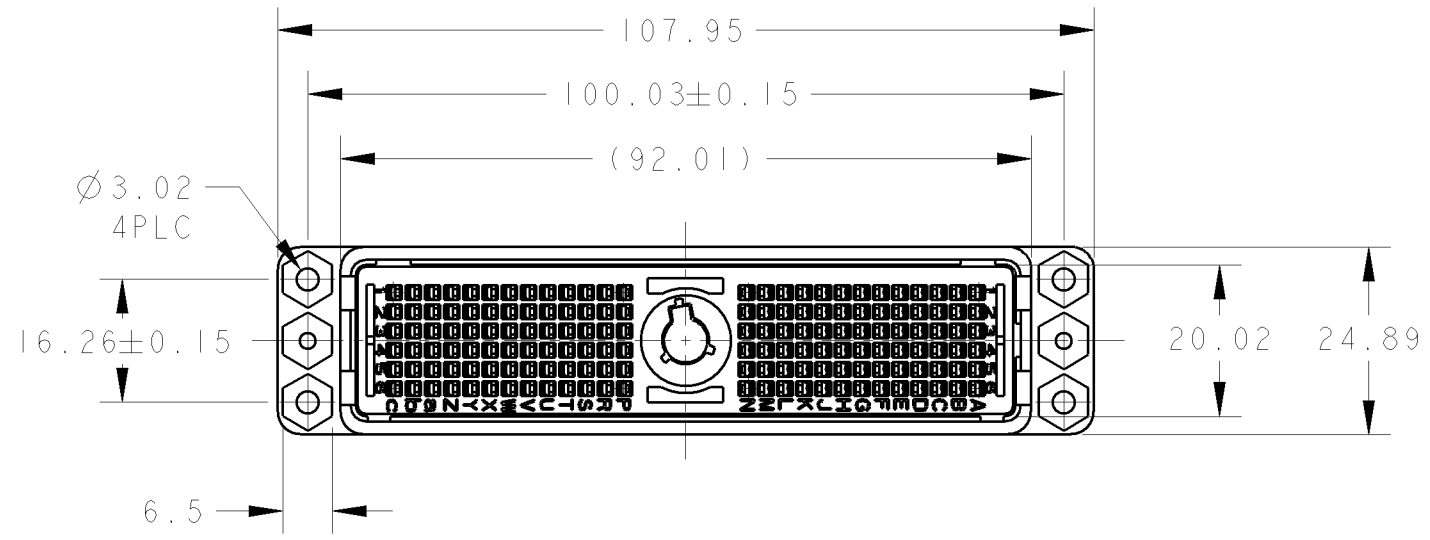


| LOC | DIST | REVISIONS | | | |
|-----|------|-------------|----------|-----------|---------|
| P | LTR | DESCRIPTION | DATE | DWN | APVD |
| J | - | A | RELEASED | 18JAN2006 | K.S M.K |
| | | B | REVISED | 14JAN2009 | T.K M.K |
| | | BI | REVISED | 28JUL2009 | S.N M.K |



| ITEM | 符号 | 名前 DESCRIPTION | 数量 QTY | 材質 MATERIAL | 仕上げ FINISH | 備考 REMARK |
|------|-------|----------------------------------|-----------|----------------------------|-------------------------------|--------------|
| 6 | | アダプタスタビライザ ADAPTER STABILIZER | 1 | 合成樹脂 PLASTIC | 無し NONE | UL94V-0 |
| 5 | (1) | メタルプレート METAL PLATE | (1) | ステンレス鋼 STAINLESS STEEL | 無し NONE | |
| 4 | 12 | サポートハウジング SUPPORT HOUSING | 12 | 合成樹脂 PLASTIC | 無し NONE | UL94V-0 |
| 3 | 2 | タッピングスクリュー TAPPING SCREW L=8 | 2 | 鋼 STEEL | 3価クロメート TRIVALENT CHROMATE | |
| 2 | (156) | コンタクト 0.64x0.4 CONTACT | (156) | ベリリウム銅 BERYLLIUM COPPER | ニッケル下地金メッキ Au OVER Ni PL. | |
| 1 | 1 | ハウジングリセアッシー HOUSING RECE ASSY | 1 | ナイロン樹脂 NYLON RESIN | 無し NONE | UL94V-0 |

1. PLATING: MATING AREA; 1.27µmMIN GOLD OVER 1.27µmMIN NICKEL
 SOLDER LEG AREA; GOLD FLASH OVER 1.27µmMIN NICKEL
 OTHERS; 1.27µmMIN NICKEL

1. めっき: 接触部; ニッケル下地 | 1.27µmMIN の上に金 | 1.27µmMIN
 半田付部; ニッケル下地 | 1.27µmMIN の上に金フラッシュ
 その他; ニッケル | 1.27µmMIN

THIS DRAWING IS A CONTROLLED DOCUMENT FOR TYCO ELECTRONICS CORPORATION
 IT IS SUBJECT TO CHANGE AND THE CONTROLLING ENGINEERING ORGANIZATION
 SHOULD BE CONTACTED FOR THE LATEST REVISION.

| | | | |
|--------------------------|-------------------------------------------------------------------|-------------------------------------------------------|-------------------------------------------------|
| DIMENSIONS: mm | TOLERANCES UNLESS OTHERWISE SPECIFIED: ±0.3 | DWN K. SAKAI 18JAN2006 | Tyco Electronics Corporation Kawasaki, Japan |
| | 0-PLC ± 1-PLC ± 2-PLC ± 3-PLC ± 4-PLC ± ANGLES ±3° | CHK E. TAKEMASA 18JAN2006 | |
| | MATERIAL SEE TABLE FINISH SEE TABLE | APVD M. KIMURA 18JAN2006 | |
| PRODUCT SPEC 108-5483 | | NAME M-ZIF CONN REC ASSY 156P 3.8mm SOLDER TYPE | |
| APPLICATION SPEC - | | SIZE A3 | RESTRICTED TO - |
| WEIGHT 73g | | CAGE CODE - | DRAWING NO C=5353517 |
| CUSTOMER DRAWING | | SCALE 1:1 | SHEET 1 OF 1 |
| | | REV BI | |

单击下面可查看定价，库存，交付和生命周期等信息

[>>TE Connectivity\(泰科\)](#)