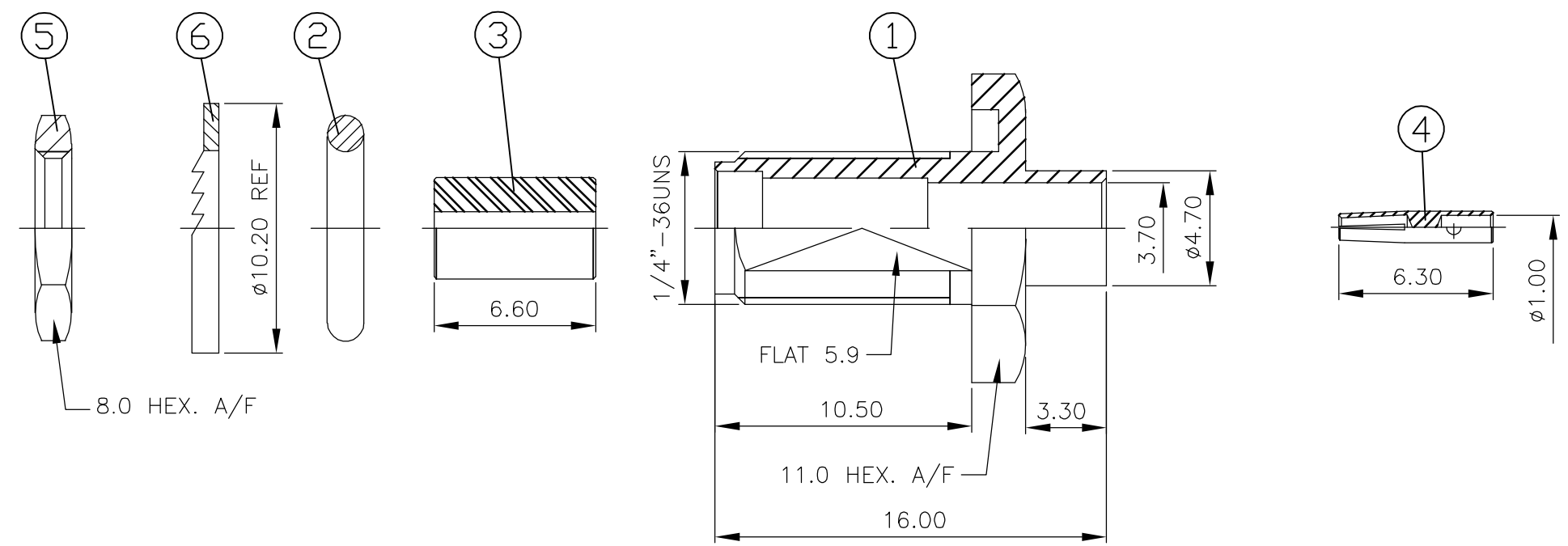


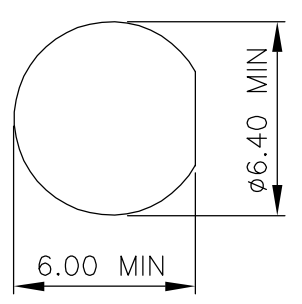
THIS DRAWING IS UNPUBLISHED. RELEASED FOR PUBLICATION APRIL, 2004.
 © COPYRIGHT 2004 BY TYCO ELECTRONICS CORPORATION. ALL RIGHTS RESERVED.

LOC	DIST	REVISIONS					
E	B	P	LTR	DESCRIPTION	DATE	DWN	APVD
		A		EBD0-0035-03	30JAN04	RS	FWK

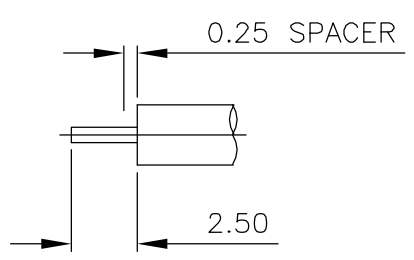
- NOTES:
- 1 SINGLE PACK IN ACCORDANCE WITH SPEC 107-3275
 - 2 100 TRAY PACK IN ACCORDANCE WITH SPEC 107-3275
 - 3 0.08µm Au PLATING OVER 1.27µm Ni PLATING
 - 4 0.08µm Au PLATING OVER 1.27µm Ni PLATING OVER 0.76µm Cu PLATING
 - 5 0.76µm Au PLATING OVER 1.27µm Ni PLATING OVER 0.76µm Cu PLATING
 - 6 FOR TECHNICAL DATA REFER TO YOUR LOCAL TYCO ELECTRONICS SALES OFFICE
 - 7 ALL DIMENSIONS ARE NOMINAL FOR REFERENCE ONLY UNLESS OTHERWISE STATED



RECOMMENDED MOUNTING HOLE DIM'S



RECOMMENDED CABLE STRIPPING DIM'S



				1	1	-	-	BRASS	4	WASHER	6
				-	-	1	1	STAINLESS STEEL	3	WASHER	6
				1	1	-	-	BRASS	4	HEX NUT	5
				-	-	1	1	STAINLESS STEEL	3	HEX NUT	5
				1	1	1	1	BERYLLIUM COPPER	5	SOCKET	4
				1	1	1	1	PTFE		INSULATOR	3
				1	1	1	1	SILICON		GASKET	2
				1	1	-	-	BRASS	4	BODY	1
				-	-	1	1	STAINLESS STEEL	3	BODY	1
				3--1	3--0	1--1	1--0	MATERIAL		DESCRIPTION	ITEM
				2	1	2	1				
QUANTITY PER ASSY						PARTS LIST					

THIS DRAWING IS A CONTROLLED DOCUMENT.		DWN R.SMITH 30JAN04	Tyco Electronics Corporation Bideford, UK, EX39 4HE	
DIMENSIONS: mm		CHK S.PARLOW 30JAN04		
TOLERANCES UNLESS OTHERWISE SPECIFIED:		APVD F.WHEELER-KING 30JAN04	NAME SMA BULKHEAD JACK DIRECT SOLDER NON CAPTIVE CONTACT O-RING SEAL RG402/U	
0 PLC ± - 1 PLC ± - 2 PLC ± - 3 PLC ± - 4 PLC ± - ANGLES ± - FINISH -		PRODUCT SPEC 108-3460	DRAWING NO A3 00779 C-1478987	
MATERIAL SEE TABLE		APPLICATION SPEC 411-3276	RESTRICTED TO	
		WEIGHT -	SCALE NTS	SHEET 1 OF 1
		CUSTOMER DRAWING	REV A	

单击下面可查看定价，库存，交付和生命周期等信息

[>>TE Connectivity\(泰科\)](#)