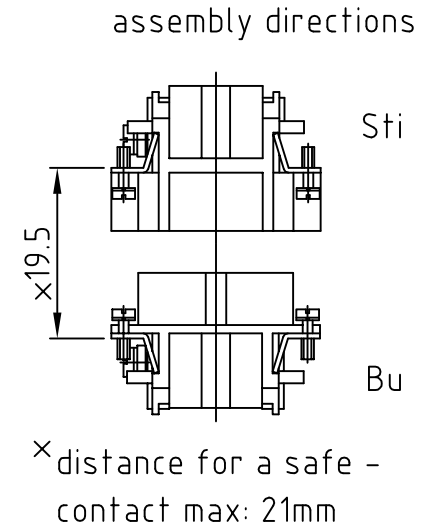
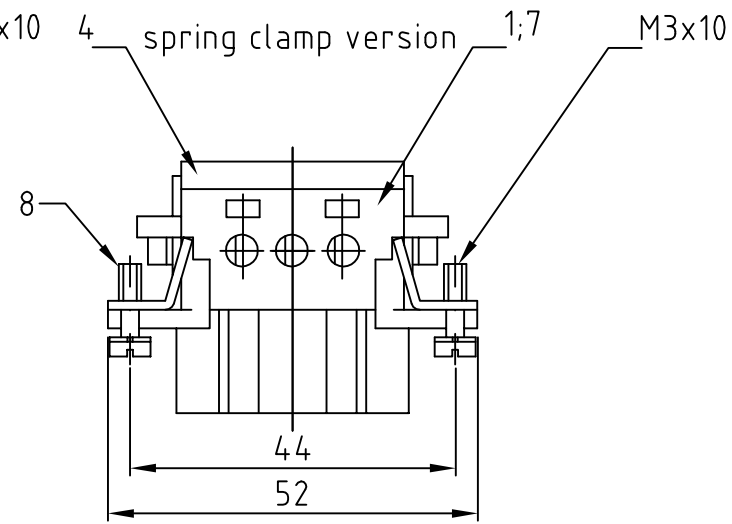
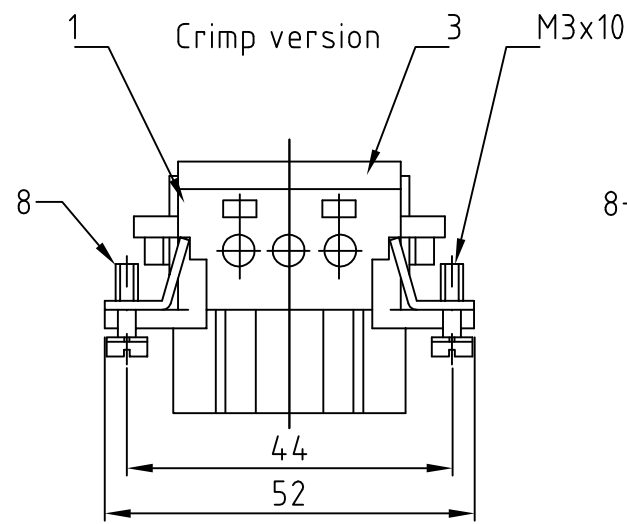
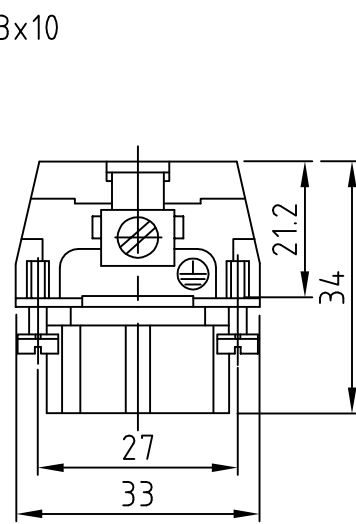
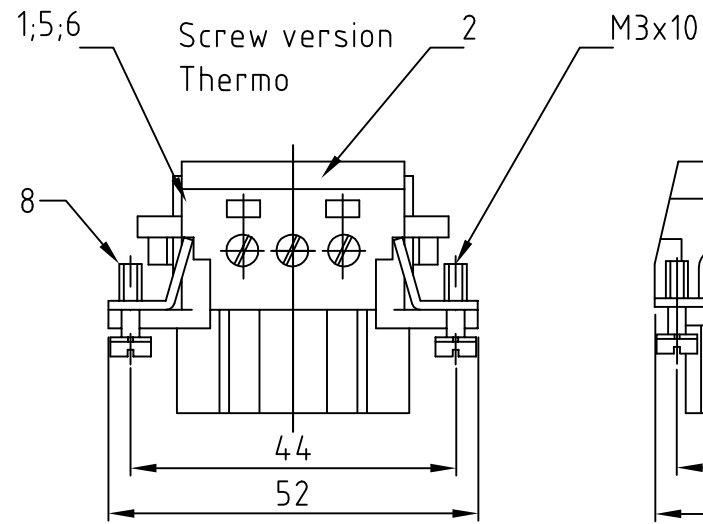
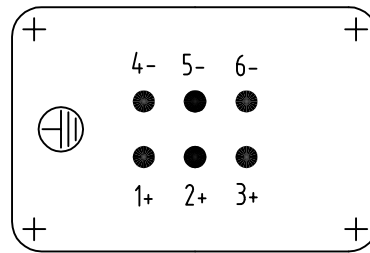


P	LTR	DESCRIPTION BESCHREIBUNG	DATE	DWN	APVD
	A10	ECR-17-009069	09FEB2018	SG	MKO



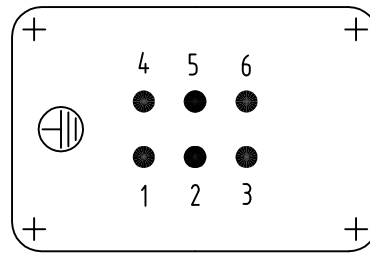
Printing 1-6 Thermo



Contact arrangement

view from termination side

Printing 1-6 Screw



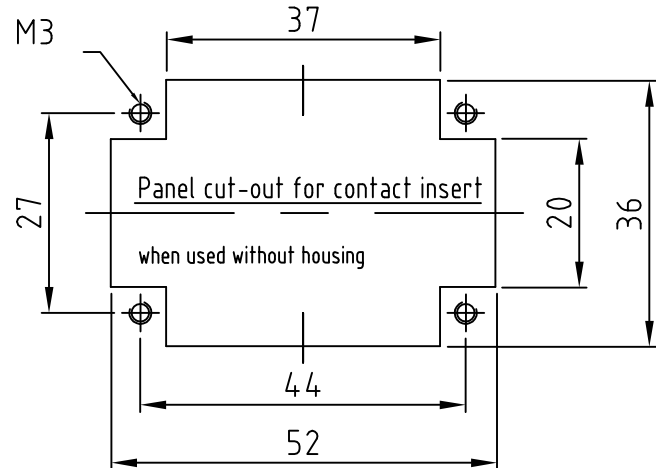
NOTES:

- SUITABLE CRIMP CONTACTS: SERIES HE/HA
OUTER DIMENSIONS OF INSULATION: MAX. Ø3,2 MM
 - SUITABLE HOOD SIZE 3: SERIES HB; HD; HIP; EMV
SUITABLE INSERTION AND EXTRACTION TOOL:
SCREWDRIVER 0,5x3 DIN 5264
 - Strip length: Screw connection 10mm
Spring clamp connection 10mm Crimp connection 7.5mm
 - STANDARDS:
DIN EN 61984; DIN EN 60664-1
- ⚠ PACKAGING:
5 SETS IN A CARTON, PRE-MOUNTED
- ⚠ SPECIAL PACKAGING: Krauss-Maffei
PACKAGING UNIT: 150 PIECES

QTY	DESCRIPTION	MATERIAL	COLOR	ITEM NO. POS.	NOTES SURFACE
4	fixing screw	steel	nickel plated	8	M3x10
6	contact spring clamp	brass	silver plated	7	
6	contact socket screw termination	brass	gold plated	6	
6	contact socket screw termination	brass	silver plated	5	
1	cover spring clamp version		light grey	4	
1	cover crimp version		light grey	3	
1	cover screw version		light grey	2	
1	socket insert		light grey	1	
0-3					
0-2					
7-1					
2-3					
1-7					
1-1					

HE.6.Bu.S.KM	HE.6.Bu.S-AU	HE.6.Bu.SC	HE.6.Bu.C	HE.6.Bu.S-T	HE.6.Bu.S
4	4	4	4	4	4
6	6	6	6	6	6
1	1	1	1	1	1
1	1	1	1	1	1
0-3	0-2	7-1	2-3	1-7	1-1

THIS DRAWING IS A CONTROLLED DOCUMENT. DIESE ZEICHNUNG IST EIN KONTROLLIERTES DOKUMENT.		DWN 12.02.1999 Gräf	<p>TE Connectivity</p>
DIMENSIONS: MASSEINHEITEN: mm		CHK 18.02.1999 Schweiger	
TOLERANCES UNLESS OTHERWISE SPECIFIED: ALLGEMEINTOLERANZEN		APVD -	NAME
0 PLC ± 0.15 1 PLC ± 0.15 2 PLC ± 0.15 3 PLC ± 0.15 4 PLC ± 0.15 ANGLES / WINKEL ± -		PRODUCT SPEC PRODUKTSPEZ.	Female insert HE.6.BU.C/S
MATERIAL		APPLICATION SPEC VERARBEITUNGSSPEZ.	SIZE A3
FINISH/OBERFLAECHE/FARBE		WEIGHT GEWICHT	CAGE CODE 00779
ORDERING TEXT / BESTELLTEXT		CUSTOMER DRAWING/KUNDENZEICHNUNG	DRAWING NO ZEICHNUNGS-NR. C=1103635
		SCALE MASSSTAB 1:1	SHEET BLATT 1 von 1
			REV A10



单击下面可查看定价，库存，交付和生命周期等信息

[>>TE Connectivity\(泰科\)](#)