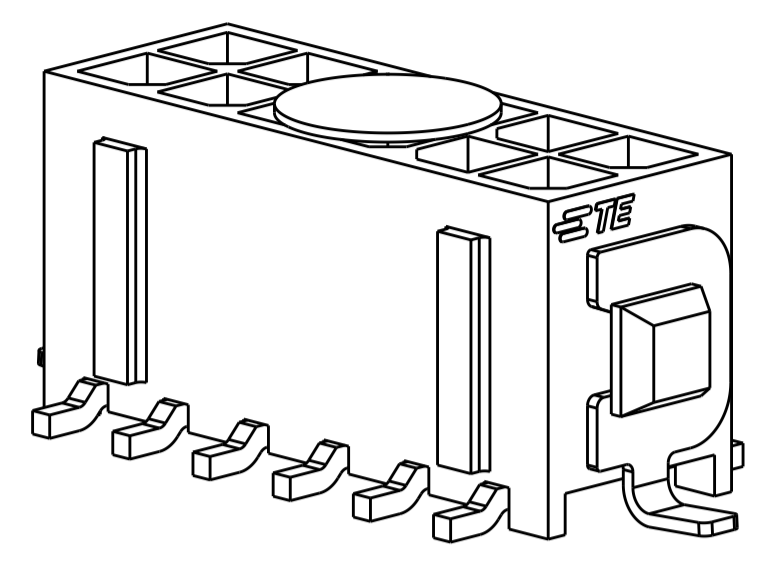
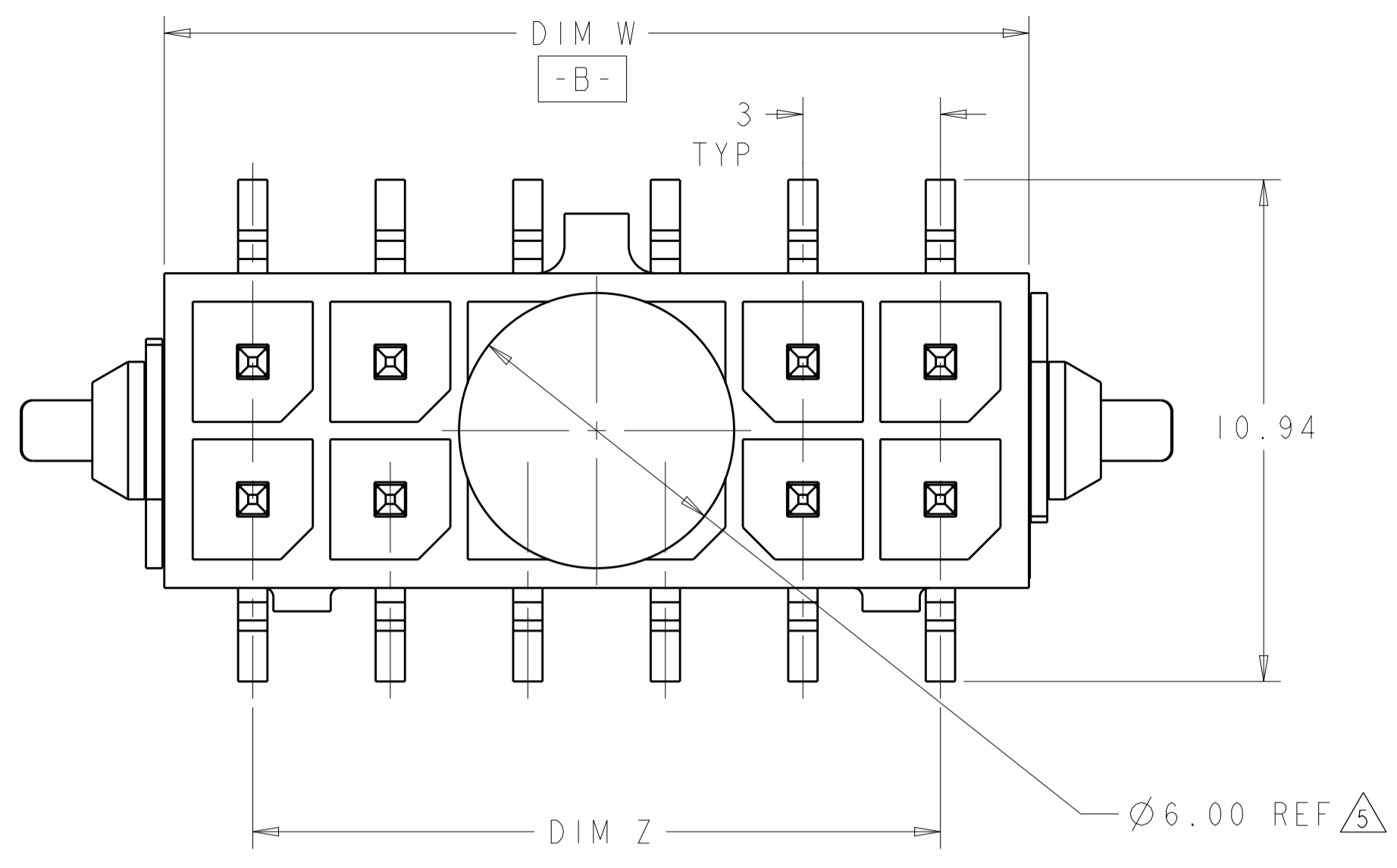
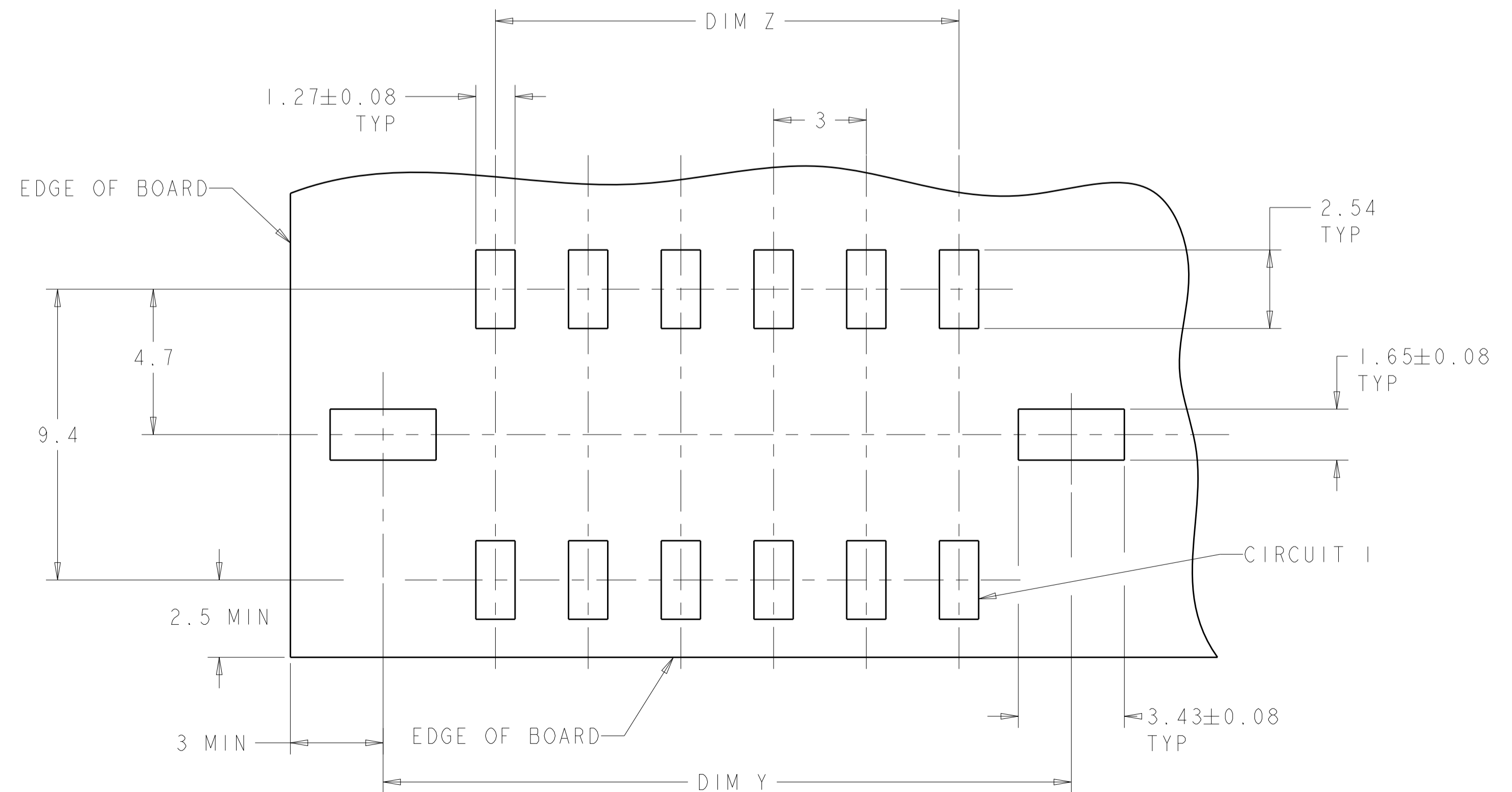
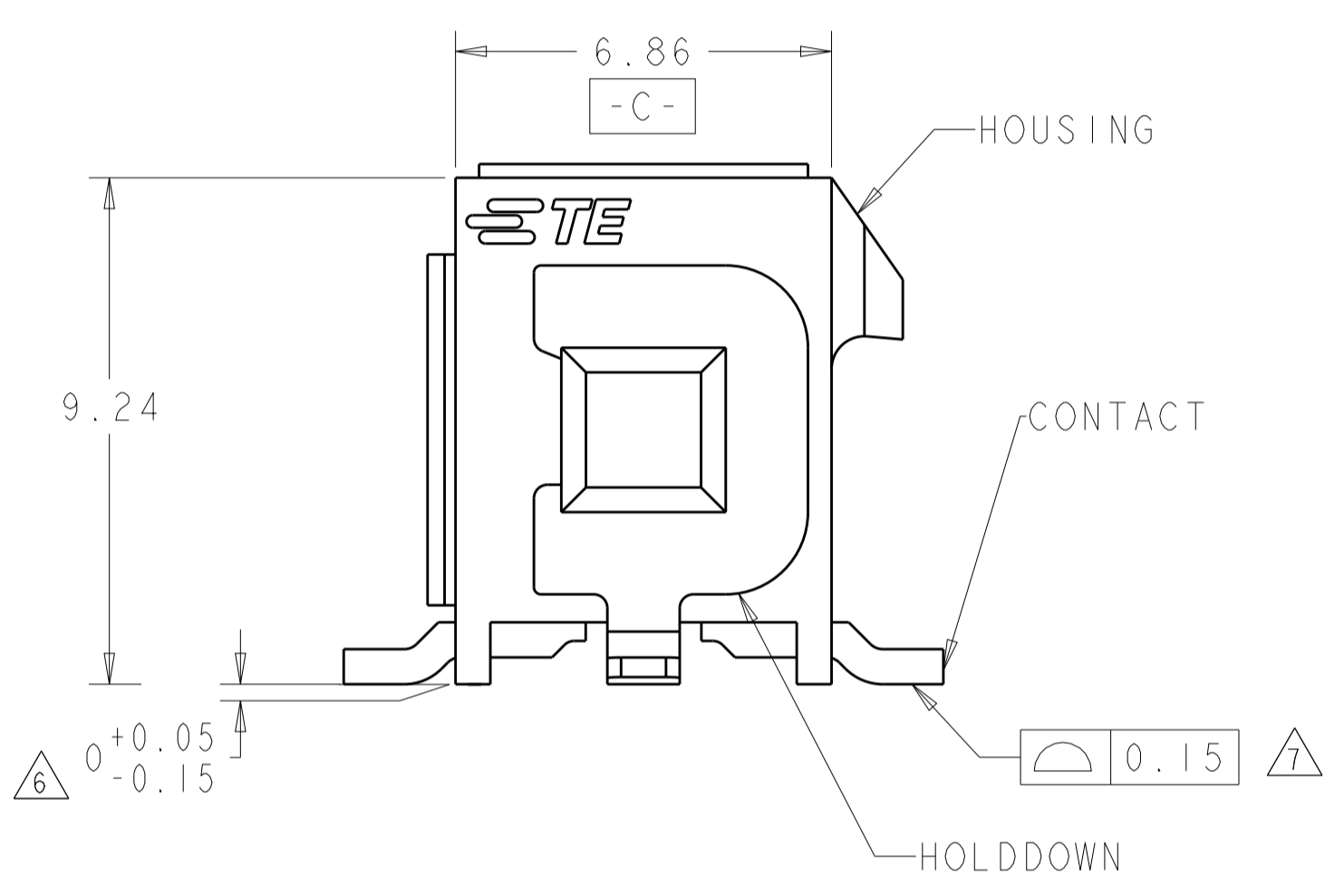
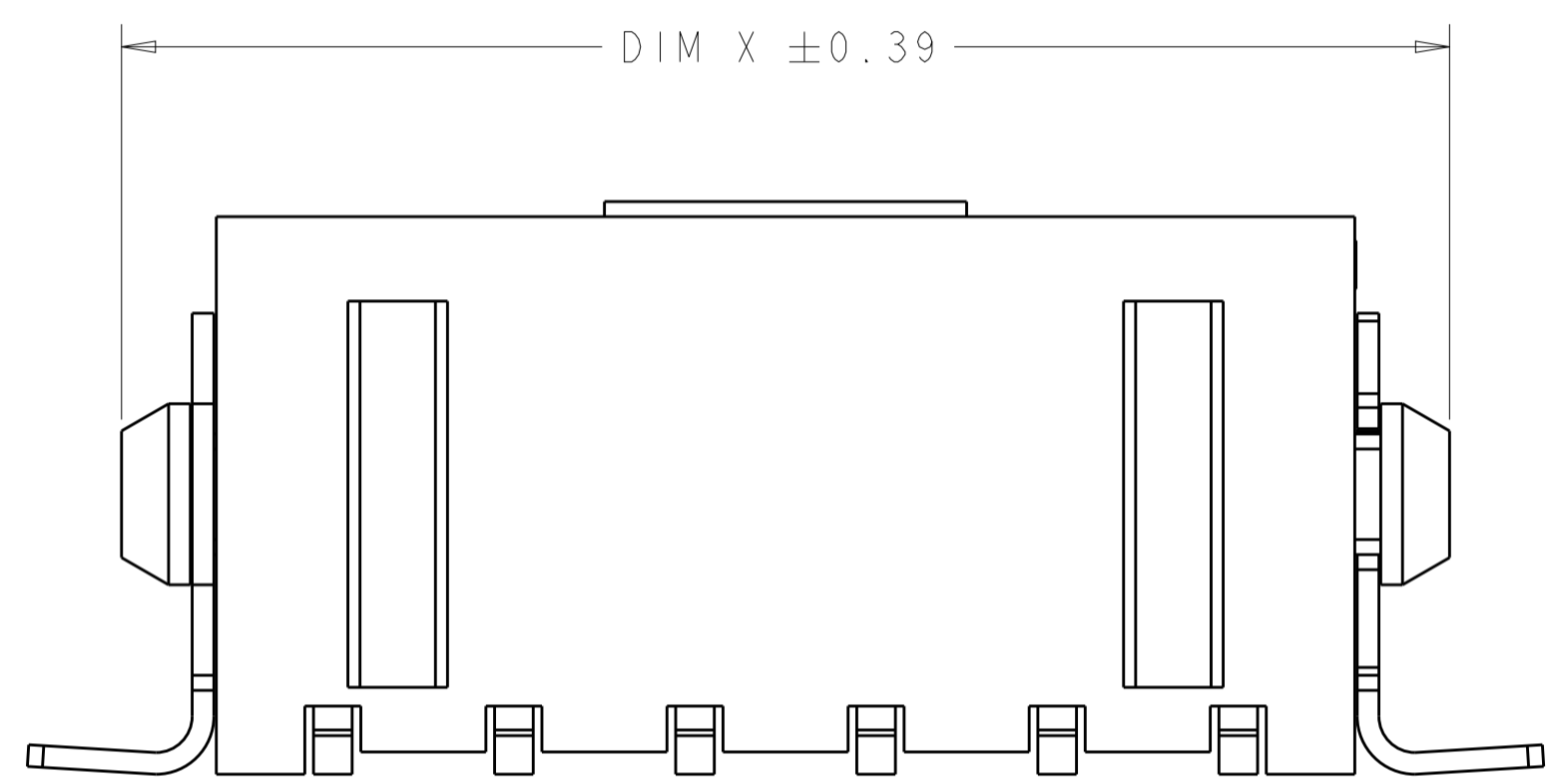


REVISIONS				
P.	LTN	DESCRIPTION	DATE	DWN APVD
C1		REVISED PER ECR-17-017609	04DEC2017	JB DZ
C2		ECO-19-006934	13MAY2019	AP WS



- 1 MATERIAL;
CONTACTS - BRASS.
HOUSING - UL 94V-0 RATED HIGH TEMP NYLON, COLOR; BLACK.
HOLDDOWNS - PHOSPHOR BRONZE.
- 2 PLATING;
CONTACTS - 0.76µm MINIMUM GOLD OVER 2.54µm MINIMUM NICKEL ON MATING AREA. 2.54µm MATTE TIN MINIMUM OVER 2.54µm NICKEL MINIMUM ON SOLDER TAILS.
HOLDDOWNS - 2.54µm MATTE TIN.
- 4 RECOMMENDED PC BOARD THICKNESS OF 1.57.
- 5 KAPTON VACUUM PICK UP BUTTON.
- 6 DIMENSION APPLIES TO SOLDER TAIL SURFACES AND STANDOFF SURFACES.
- 7 ALL SOLDER TAILS AND HOLDDOWNS.
- 8 SPECIAL PACKAGING FOR IEC 286-3 REQUIREMENT. PARTS ORIENTED 180° DIFFERENT IN TAPE THAN STANDARD PART NUMBER 794638.



RECOMMENDED PCB LAYOUT (COMPONENT SIDE) 4

18.86	22.27	15.00	22.00	12	4-1586835-2
FINISH	DIM W	DIM Y	DIM Z	DIM X	NO. OF POSN. PART NUMBER

THIS DRAWING IS A CONTROLLED DOCUMENT.		DWN R. WHITAKER 12MAR2007	TE Connectivity NAME: HEADER ASSY, VERTICAL SURFACE MOUNT, SURF MNT HOLDDOWN, 30 GOLD, DUAL ROW, SPCL PKGING, MICRO MATE-N-LOK(TM) PRODUCT SPEC: 108-1836 APPLICATION SPEC: 114-13000 SIZE: A1 CAGE CODE: 00779 DRAWING NO: C=1586835 WEIGHT: - CUSTOMER DRAWING
DIMENSIONS: mm		CHK C. JONES 12MAR2007	
TOLERANCES UNLESS OTHERWISE SPECIFIED:		APVD C. JONES 12MAR2007	RESTRICTED TO
0 PLC ±		PRODUCT SPEC	
2 PLC ±0.13		APPLICATION SPEC	
3 PLC ±		SIZE	
4 PLC ±		WEIGHT	
ANGLES ±		SCALE	8:1
FINISH		SHEET	1 OF 1
SEE TABLE		REV	C2

单击下面可查看定价，库存，交付和生命周期等信息

[>>TE Connectivity\(泰科\)](#)