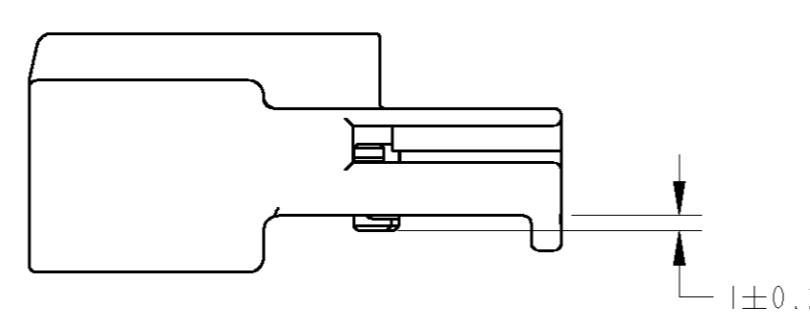
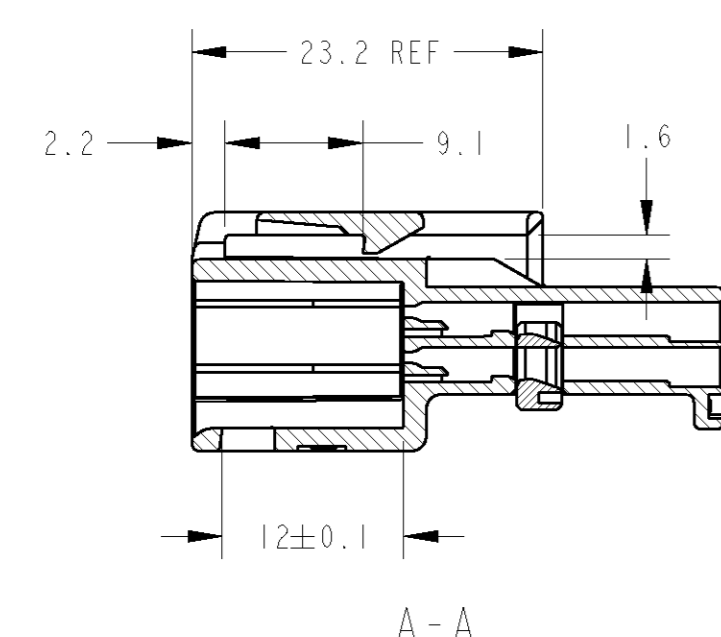
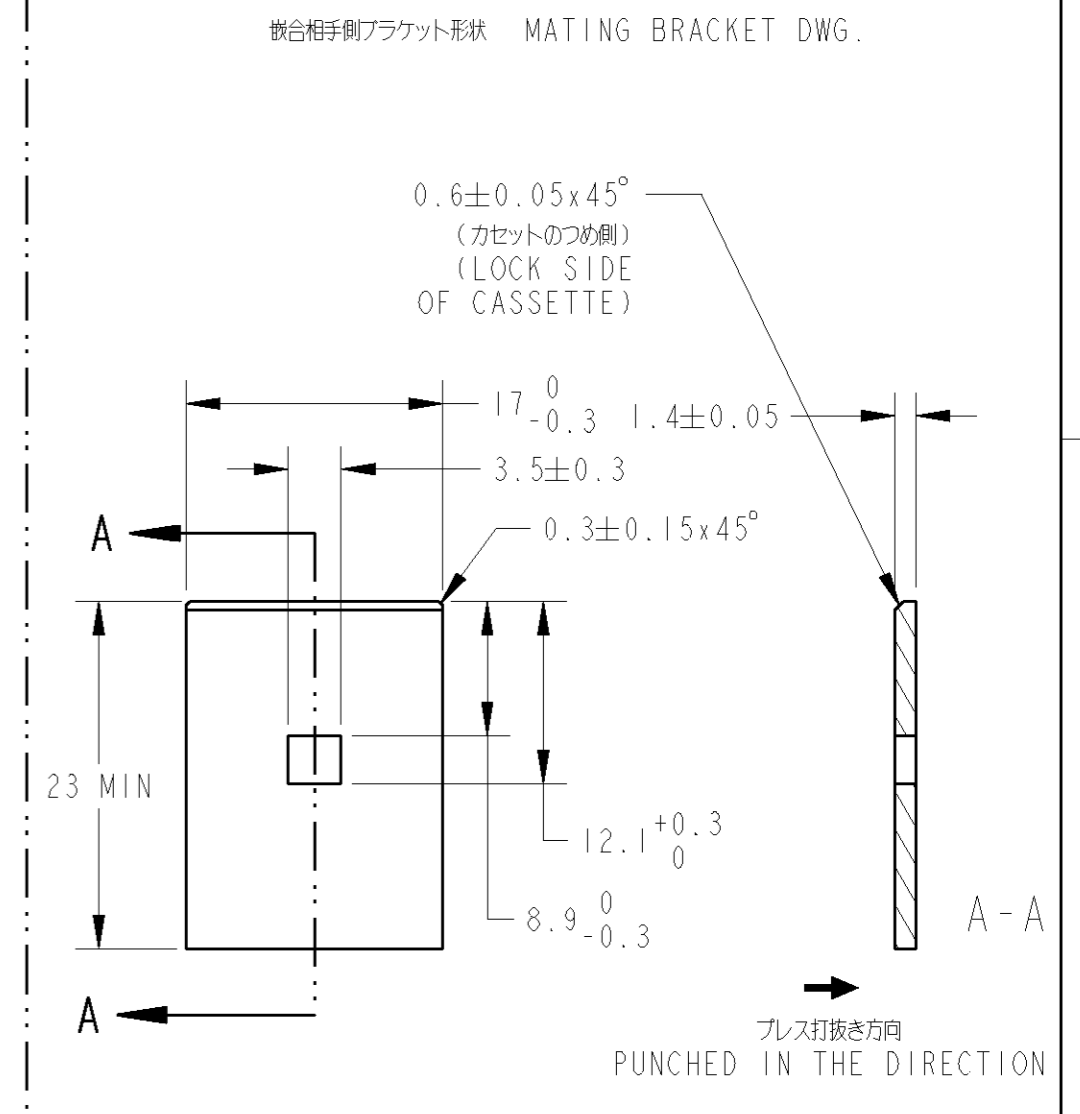
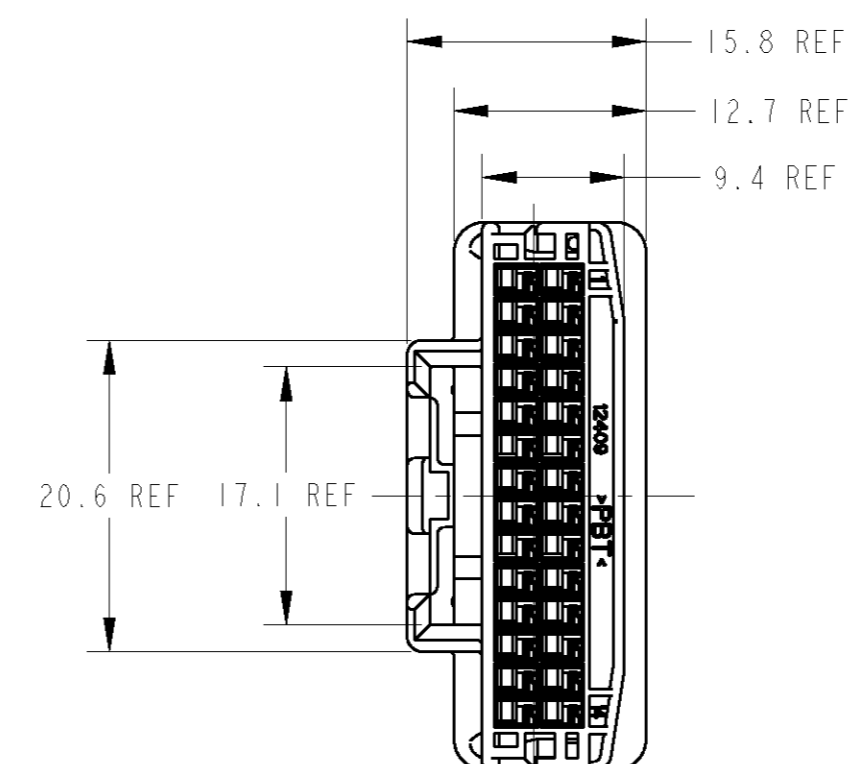
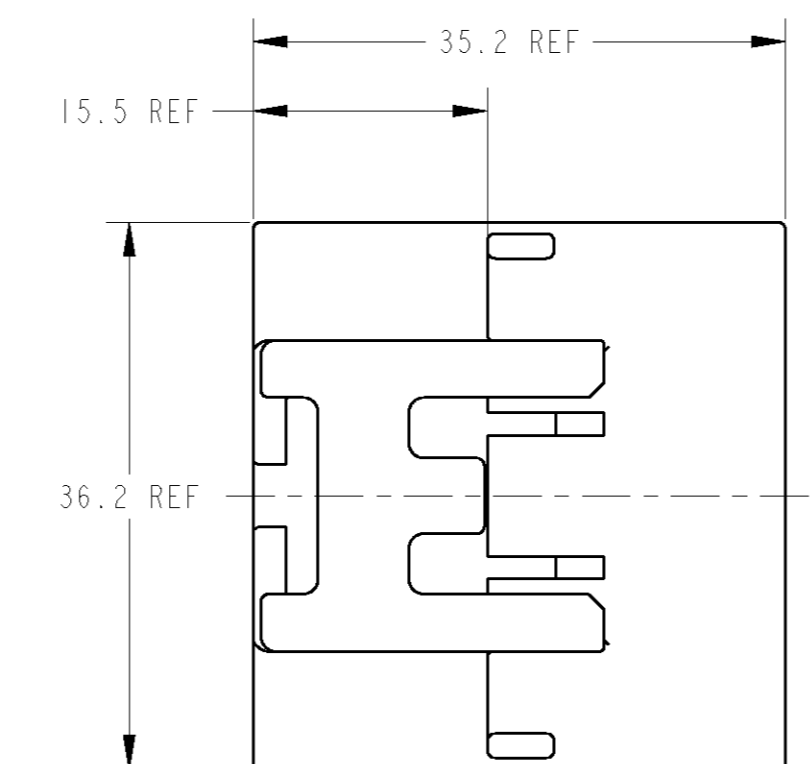
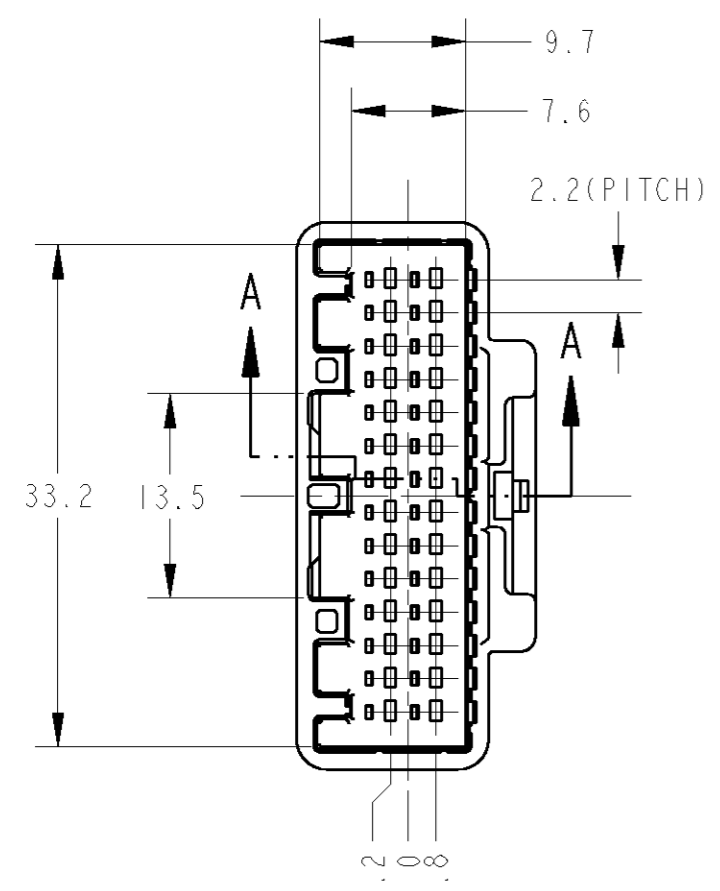


REVISIONS					
P	LTR	DESCRIPTION	DATE	DWN	APVD
0		RELEASED	FJA0-0255-03	01MAY03	KF KA



1. プラグハウジングにリテーナーを仮係止して出荷される。
  2. 仮係止時リテーナーがハウジングの外側に突出していること。
  3. リテーナーの仮係止保持力は、30N以上
  4. 取扱説明書No : 411-5996
  5. 嵌合相手型番は TABLE-1参照
  6. 本製品の適応端子は TABLE-2参照
1. RETAINER SHOULD BE SET TO THE PRE-ASSEMBLY POSITION WITHIN THE PLUG HOUSING WHEN SHIPPED TO THE CUSTOMER.
  2. THE RETAINER MUST BE OUT SIDE OF PLUG HOUSING WHEN PRE-ASSEMBLY.
  3. RETAINER RETENTION FORCE FROM HOUSING : 30N MIN
  4. INSTRUCTION SHEET NO : 411-5996
  5. PART NUMBER OF PLUG HOUSING TO BE MATED : SEE TABLE-1
  6. APPLIED TERMINAL OF THIS PART : SEE TABLE-2

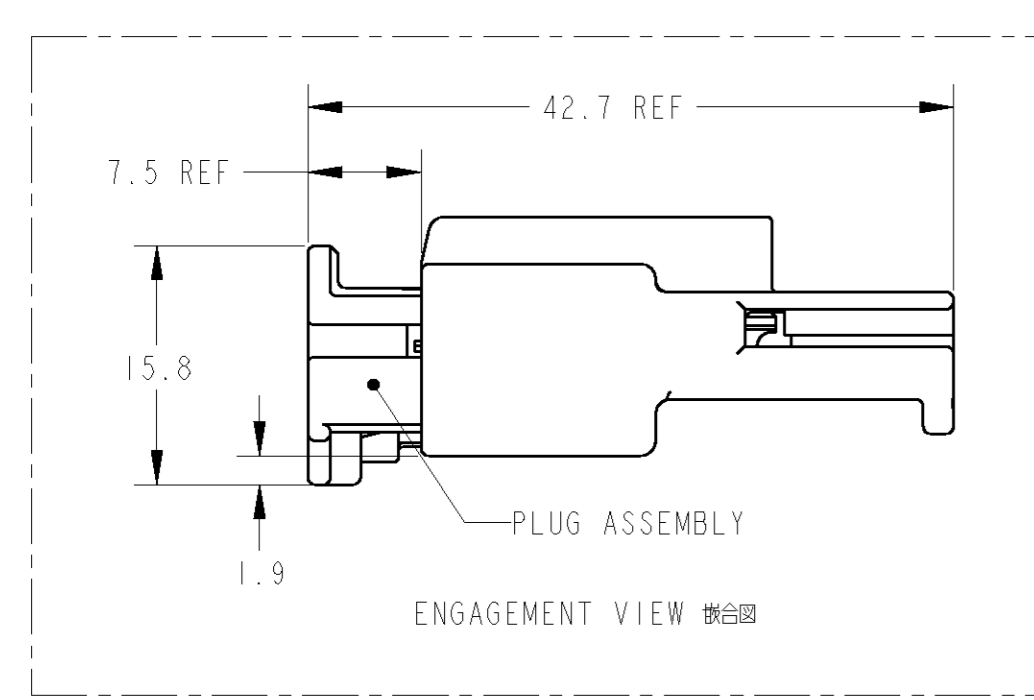


TABLE-1

POS 極数	DESCRIPTION	PLUG ASSEMBLY PART NO. プラグ 型番
28	CRIMP	1565380-1

TABLE-2

SIGNAL	TIN	POS 極数	APPLIED TERMINAL 適応端子		APPLICABLE WIRE RANGE 適応電線
			DESCRIPTION	AMP P/N	
025		28	CRIMP	1376109-1	AVSS/CAVUS 0.3~0.5mm <sup>2</sup> AVSSH-f 0.3~0.5mm <sup>2</sup> CAVS 0.22~0.5mm <sup>2</sup>
				1473818-1	WIRE RANGE : 0.08mm <sup>2</sup> INSULATION DIA : 1.1~1.4mm
			1565406-1	WIRE RANGE : 0.22mm <sup>2</sup> INSULATION DIA : 0.8~1.2mm	

THIS DRAWING IS A CONTROLLED DOCUMENT FOR TYCO ELECTRONICS CORPORATION. IT IS SUBJECT TO CHANGE AND THE CONTROLLING ENGINEERING ORGANIZATION SHOULD BE CONTACTED FOR THE LATEST REVISION.

DIMENSIONS: mm	TOLERANCES UNLESS OTHERWISE SPECIFIED: 一般公差: ±0.3 ±0.5 ±0.13 ±0.013 ±0.0001 ±3°00'	DWN K. FURUYAMA 01MAY03	CHK S. HIRANUMA 01MAY03	APVD K. ASAI 01MAY03	PRODUCT SPEC 108-5660	APPLICATION SPEC 114-5276, 114-5291	WEIGHT 7.68 g	SIZE A2	CAGE CODE 00779	DRAWING NO G-1565377	RESTRICTED TO
MATERIAL PBT	FINISH SEE TABLE	NAME tyco Electronics Tyco Electronics AMP K.K. Kawasaki, Japan		025 CONNECTOR 28 POSITION CAP ASSEMBLY W-W (CRIMP AND IDC)			SCALE 2:1	SHEET 1	OF 1	REV 0	

CUSTOMER DRAWING

单击下面可查看定价，库存，交付和生命周期等信息

[>>TE Connectivity\(泰科\)](#)