

THIS DRAWING IS UNPUBLISHED.

RELEASED FOR PUBLICATION

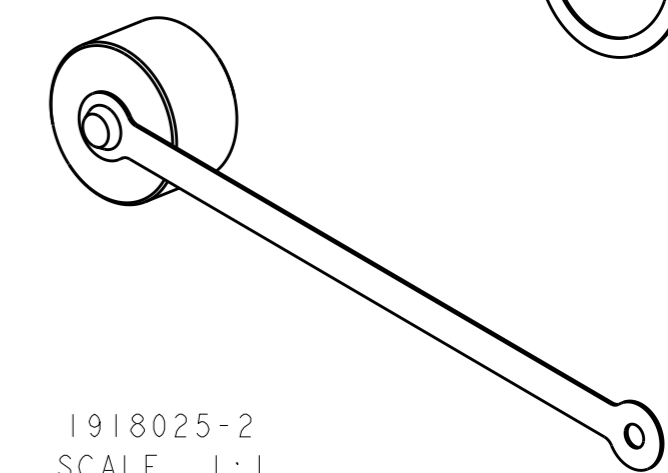
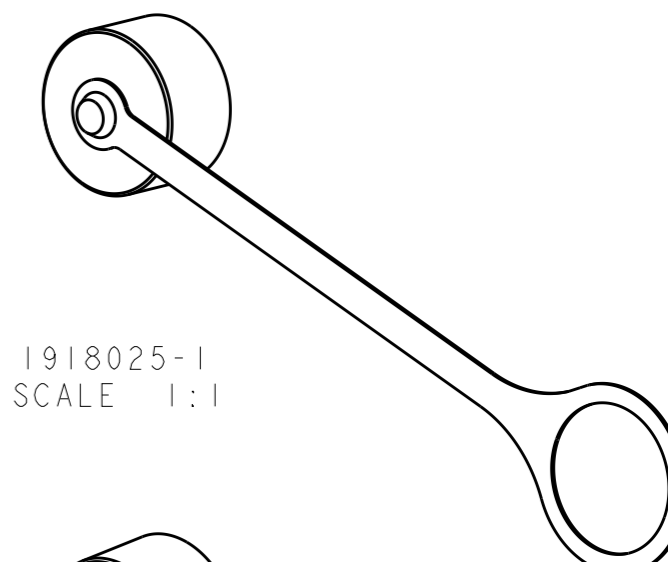
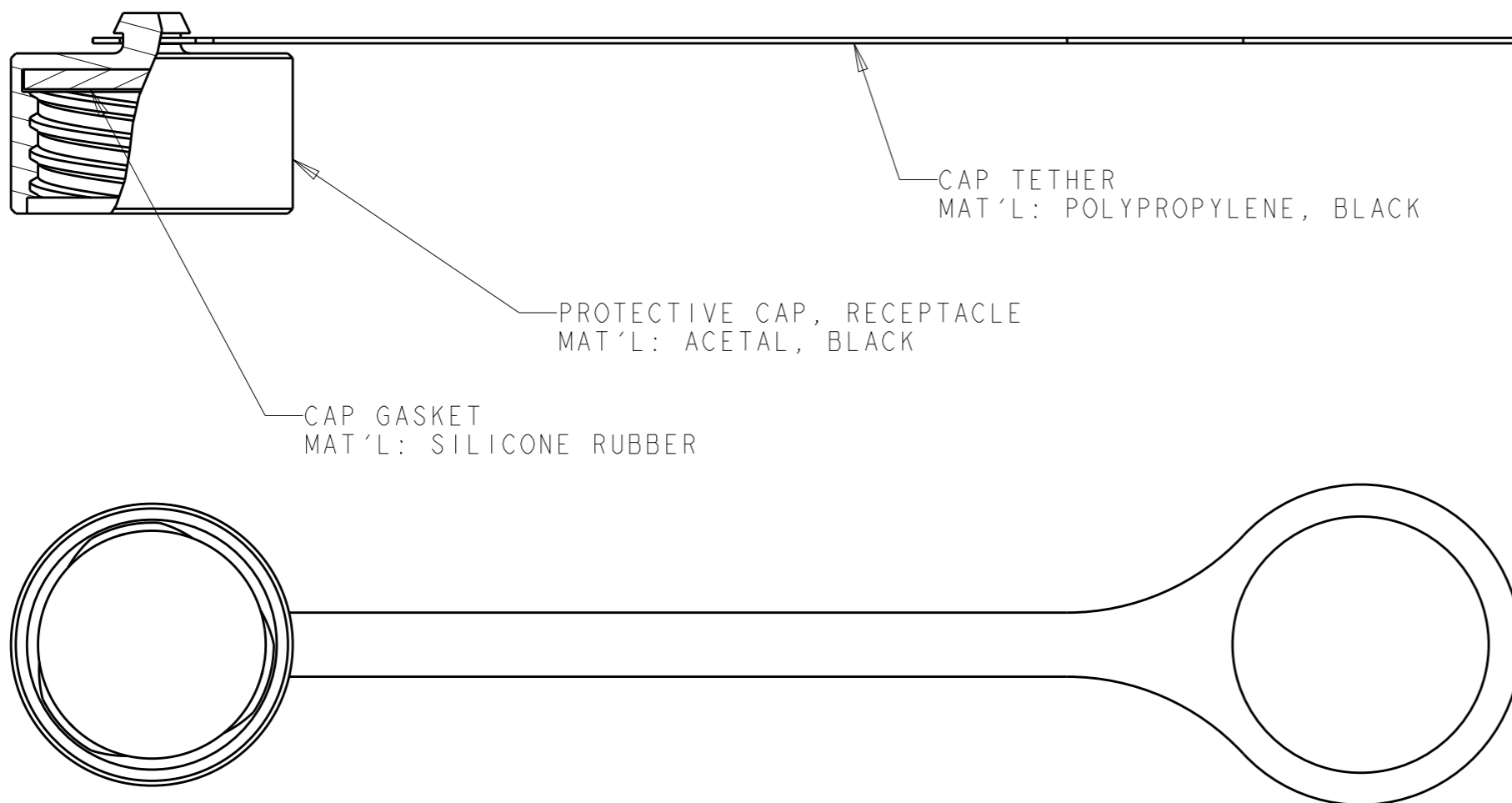
20

© COPYRIGHT 20 BY -

ALL RIGHTS RESERVED.

REVISIONS

P	LTR	DESCRIPTION	DATE	DWN	APVD
	B1	ECR-17-010543	25JUL2017	KG	DW



JAM NUT, SIZE 13	1918025-5
FLANGE MOUNT, SIZE 15	1918025-4
JAM NUT, SIZE 15	1918025-3
FLANGE MOUNT, SIZE 11	1918025-2
JAM NUT, SIZE 11	1918025-1
RECEPTACLE APPLICATION	PART NUMBER

THIS DRAWING IS A CONTROLLED DOCUMENT.		DWN K. GLATFELTER 01NOV2005	STE TE Connectivity	
DIMENSIONS: mm		CHK D. WERTMAN 08NOV2005		
TOLERANCES UNLESS OTHERWISE SPECIFIED:		APVD D. WERTMAN 08NOV2005	NAME PROTECTIVE COVER, RECEPTACLE, STYLE 38999	
0 PLC ±-		PRODUCT SPEC	-	
1 PLC ±-		APPLICATION SPEC	-	
2 PLC ±-		WEIGHT	-	
3 PLC ±-		CUSTOMER DRAWING	SIZE A3	CAGE CODE 00779
4 PLC ±-			DRAWING NO C-1918025	RESTRICTED TO -
ANGLES ±-			SCALE 2:1	SHEET 1 OF 1
MATERIAL AS LISTED				REV B1
FINISH -				

单击下面可查看定价，库存，交付和生命周期等信息

[>>TE Connectivity\(泰科\)](#)