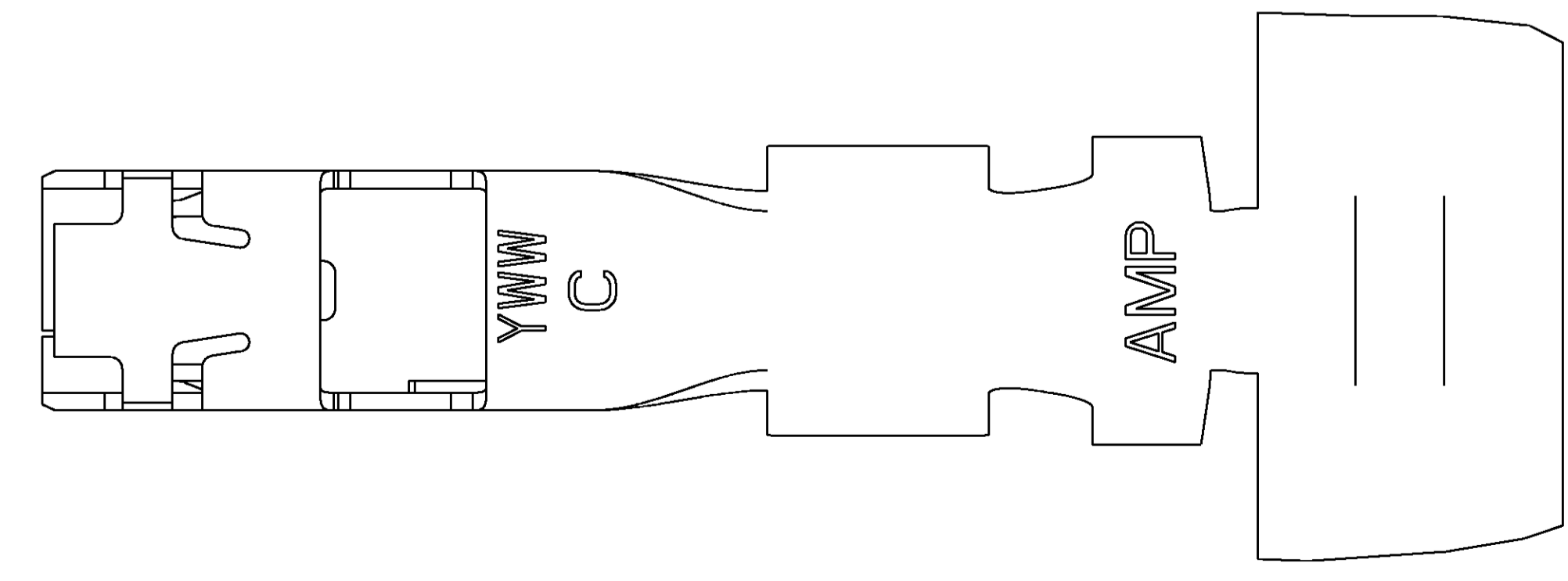
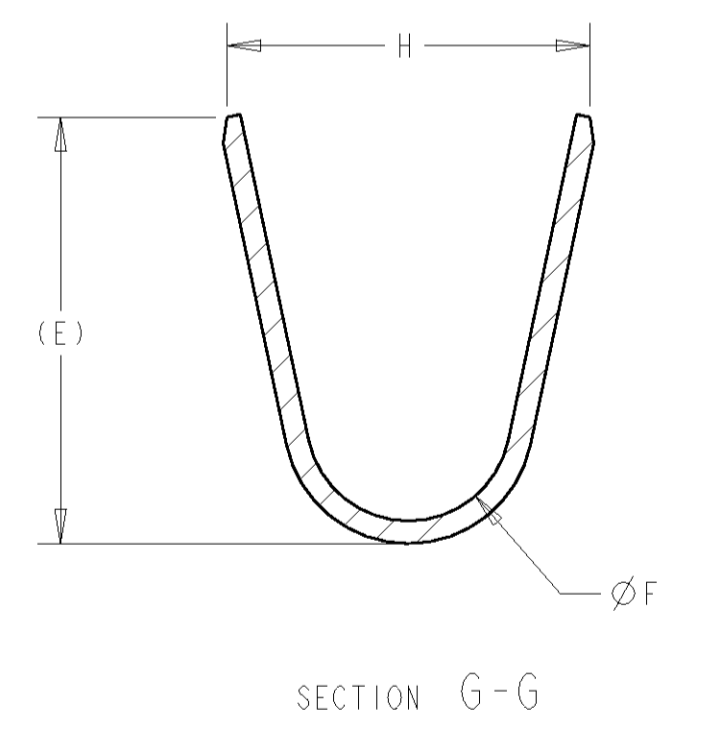
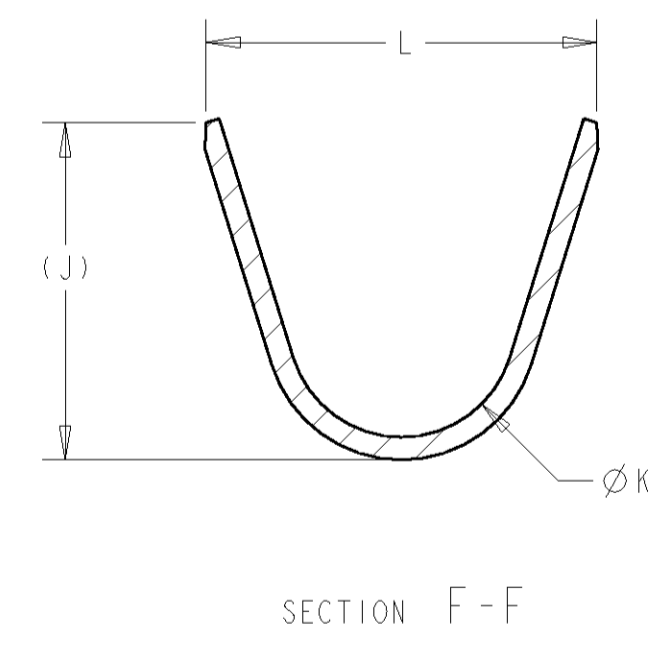
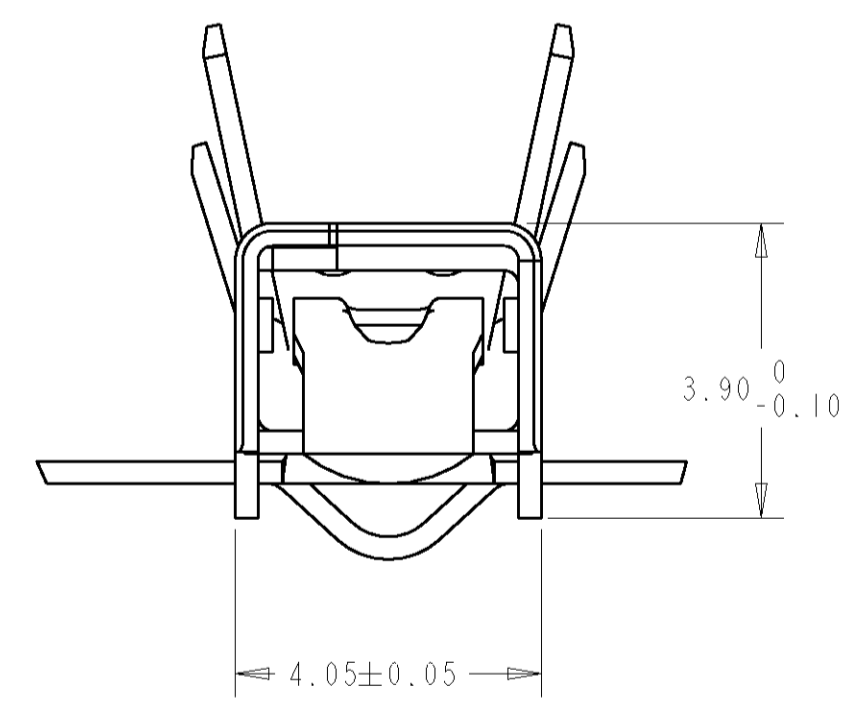
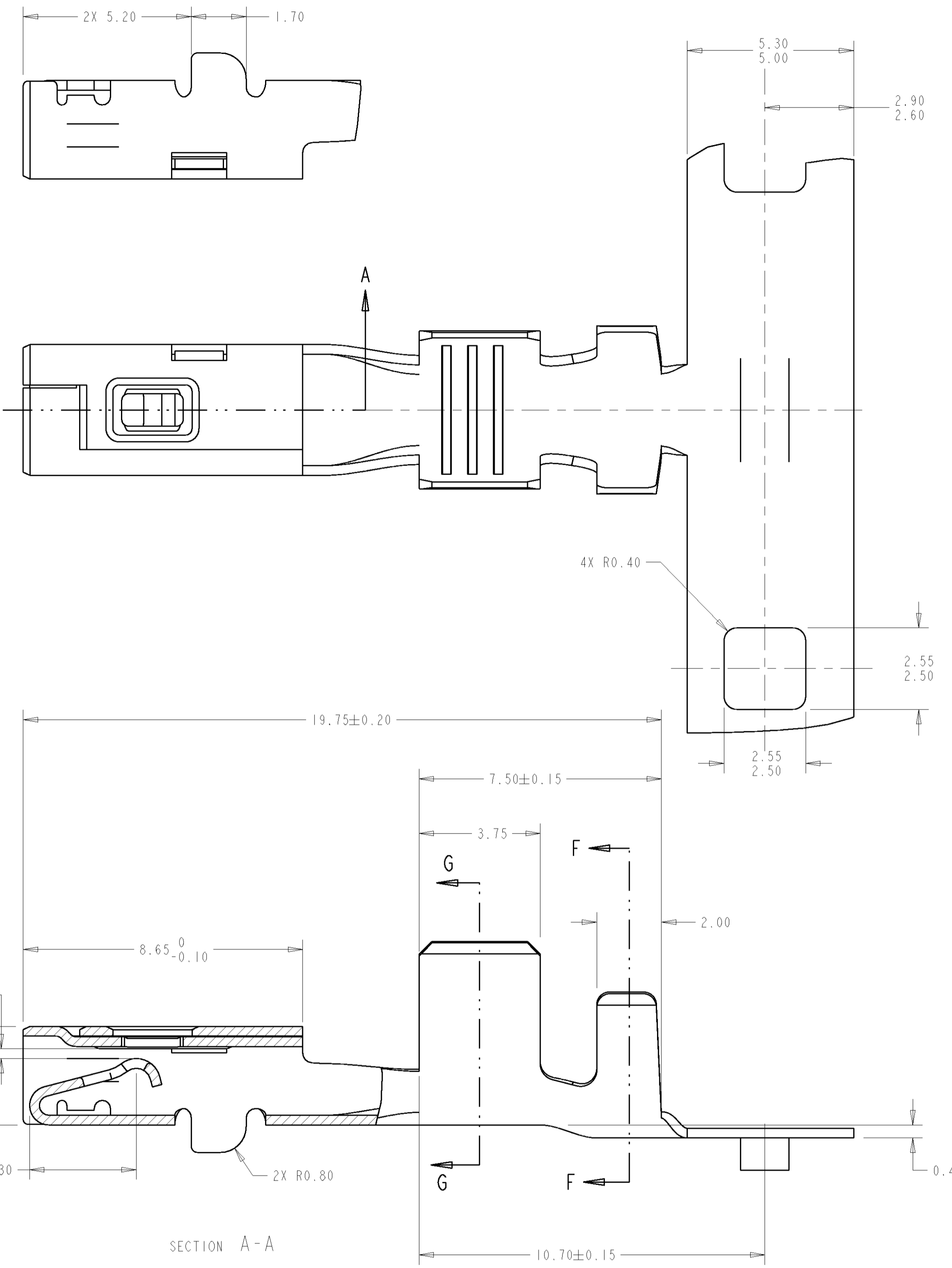
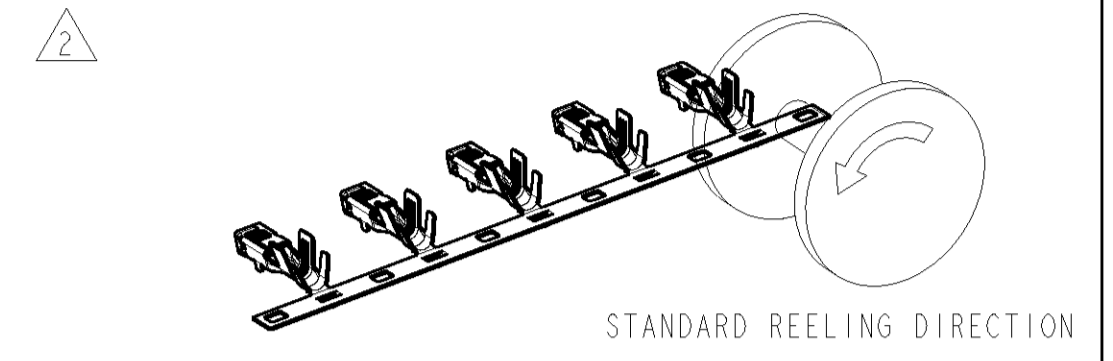


LOC	DIST	REVISIONS					
		P	LTR	DESCRIPTION	DATE	DWN	APVD
FX	00	A		RLSD PER D06-132	14AUG2006	RGV	DHC
		B		REVISED PER ECR-06-022533	30NOV2006	AH	DC



1 MATERIAL: 0.30 THICK COPPER ALLOY, PREPLATED WITH 0.0008 MINIMUM THICK REFLOW TIN OR BRIGHT TIN (ELV COMPLIANT).
 ALTERNATE MATERIAL: 0.30 THICK COPPER ALLOY, PREPLATED WITH 0.0008 MINIMUM THICK BRIGHT TIN (ELV COMPLIANT).



3. QUALIFICATION OF THE CRIMP APPLICATION TOOLING SHALL BE CONTROLLED BY THE REQUIREMENTS ESTABLISHED UNDER USCAR 21.
 4 LUBRICANT, NYE UNIFLOR 8917, ADDED TO INTERIOR OF RECEPTACLE BOX. QUANTITY SUFFICIENT TO COAT INTERIOR BEAM AND ALLOWING FOR SOME RESIDUAL PASTE TO RESIDE INSIDE. SEEPAGE FROM BOX OPENINGS ALLOWED.

3.1	1.40	2.55	3.3	1.30	2.76	18-20 AWG	1456888-1
LUBRICANT	REELING	L	ØK	J	H	ØF	E
DIMENSIONS:		TOLERANCES UNLESS OTHERWISE SPECIFIED:		DWN		Tyco Electronics	
mm	0 PLC ±0.3	1 PLC ±0.3	2 PLC ±0.10	3 PLC ±0.10	4 PLC ±0.10	ANGLES ±0.5°	FINISH
MATERIAL		FINISH		DWN		Tyco Electronics	
CUSTOMER DRAWING		SCALE 10:1		SHEET 1 OF 1		REV B	

单击下面可查看定价，库存，交付和生命周期等信息

[>>TE Connectivity\(泰科\)](#)