

THIS DRAWING IS UNPUBLISHED. RELEASED FOR PUBLICATION  
 (C) COPYRIGHT 19 BY AMP INCORPORATED. ALL RIGHTS RESERVED.

LOC		DIST		REVISIONS			
P	LTR	DESCRIPTION	DATE	DWN	APVD		
CH	11						
	A	ECN 96060302	07/JUN/96	RNP	RAR		
	B	EC OB20-0183-98	04/FEB/98	RNP	RAR		

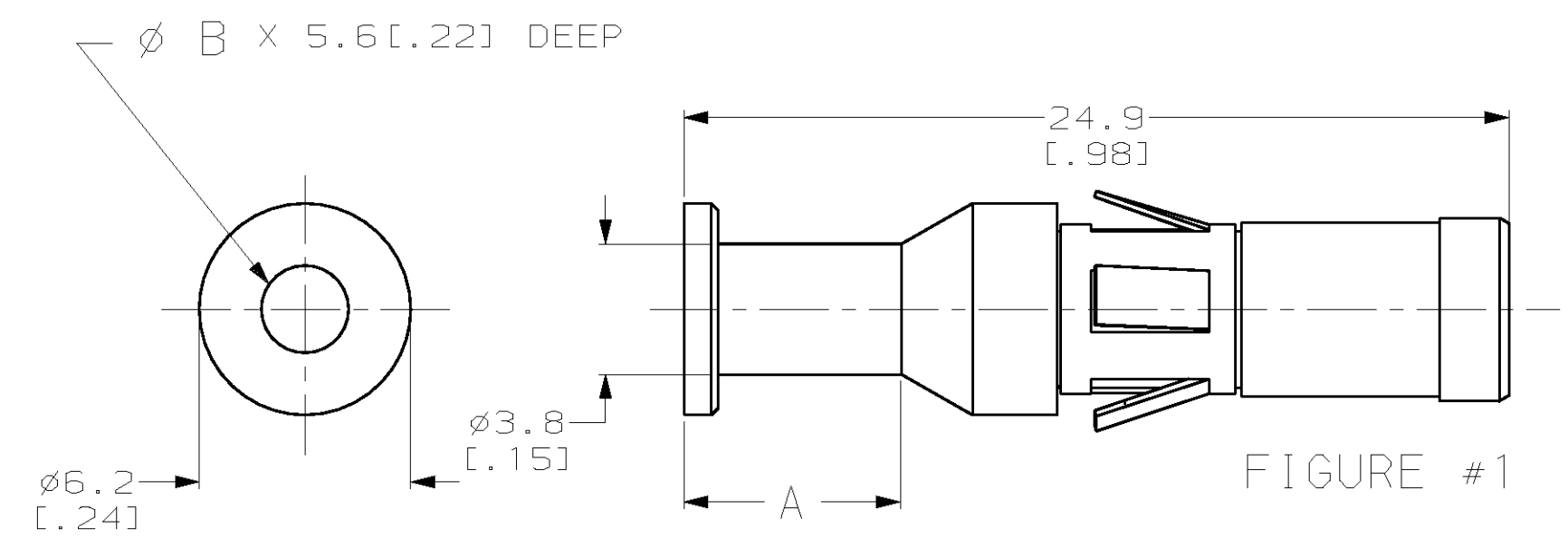


FIGURE #1

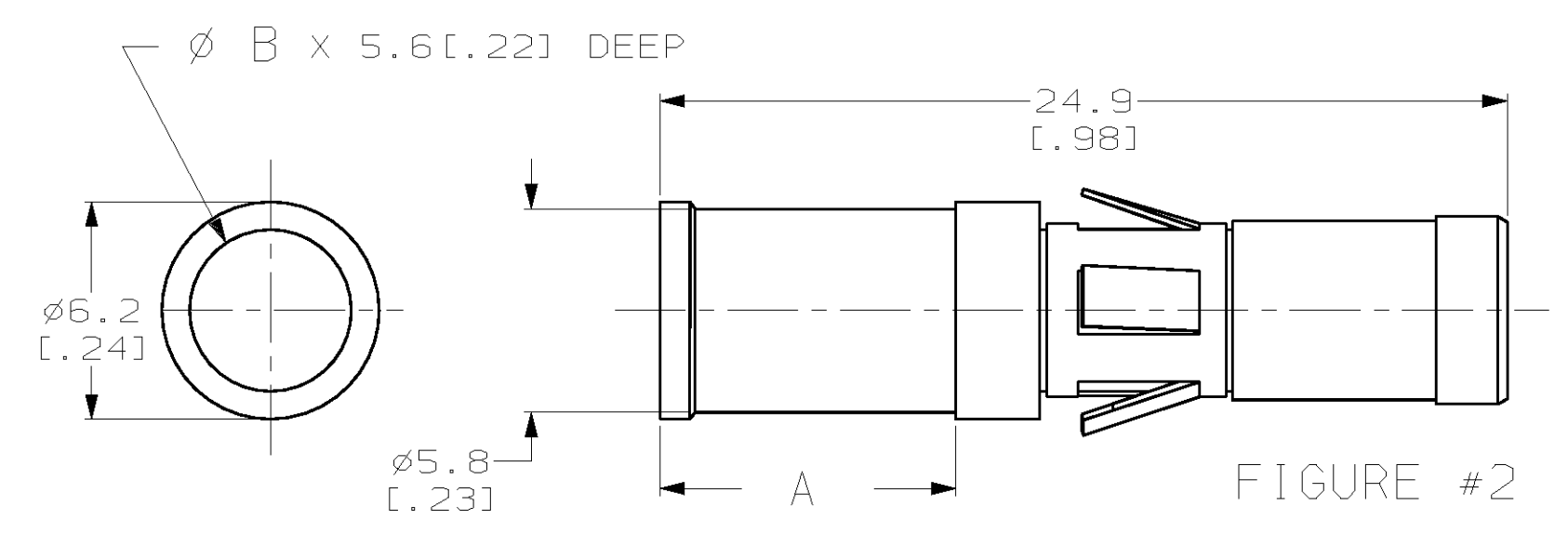


FIGURE #2

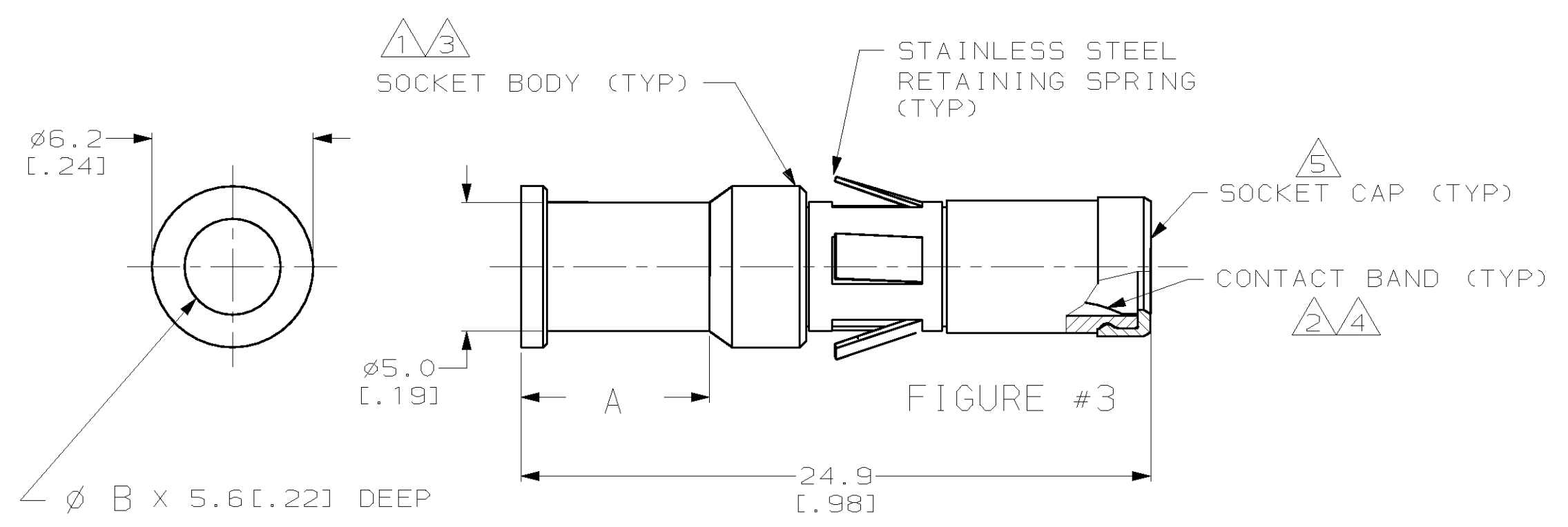


FIGURE #3

- 1 MATERIAL: TELLURIUM COPPER.
- 2 MATERIAL: BERYLLIUM COPPER.
- 3 FINISH: SILVER PLATE 5  $\mu$ M [200  $\mu$ IN] THICK MIN. OVER 1.2  $\mu$ M [50  $\mu$ IN] THICK MIN. NICKEL OVER 0.1  $\mu$ M [5  $\mu$ IN] THICK COPPER FLASH.
- 4 FINISH: SILVER PLATE 5  $\mu$ M [200  $\mu$ IN] THICK MIN. OVER 1  $\mu$ M [40  $\mu$ IN] THICK MIN. NICKEL.
- 5 MATERIAL: ACETYL (DELRIN).

2.55 [.100]	6.35 [.250]	1	SOCKET, 3MM, #12-14	194032-7
3.68 [.145]	7.24 [.285]	3	SOCKET, 3MM, #10	194032-6
4.60 [.181]	8.42 [.331]	2	SOCKET, 3MM, #8	194032-5
$\phi B$	A DIM	FIGURE #	DESCRIPTION	PART NUMBER

THIS DRAWING IS A CONTROLLED DOCUMENT FOR AMP INCORPORATED. IT IS SUBJECT TO CHANGE AND THE CONTROLLING ENGINEERING ORGANIZATION SHOULD BE CONTACTED FOR THE LATEST REVISION.

DWN	RNP	28/SEP/95	<b>AMP</b> AMP Incorporated Harrisburg, PA 17105-3608
CHK	-	-	
APVD	-	-	NAME
DIMENSIONS: mm [in]			PRODUCT SPEC
TOLERANCES UNLESS OTHERWISE SPECIFIED:			APPLICATION SPEC
0 PLC	±-		WEIGHT
1 PLC	±-		CUSTOMER DRAWING
2 PLC	±-		SCALE
3 PLC	±-		SHEET
4 PLC	±-		OF
ANGLES	±-		REV
FINISH	-		B

SIZE: A2 CAGE CODE: 00779 DRAWING NO: ©=194032

单击下面可查看定价，库存，交付和生命周期等信息

[>>TE Connectivity\(泰科\)](#)