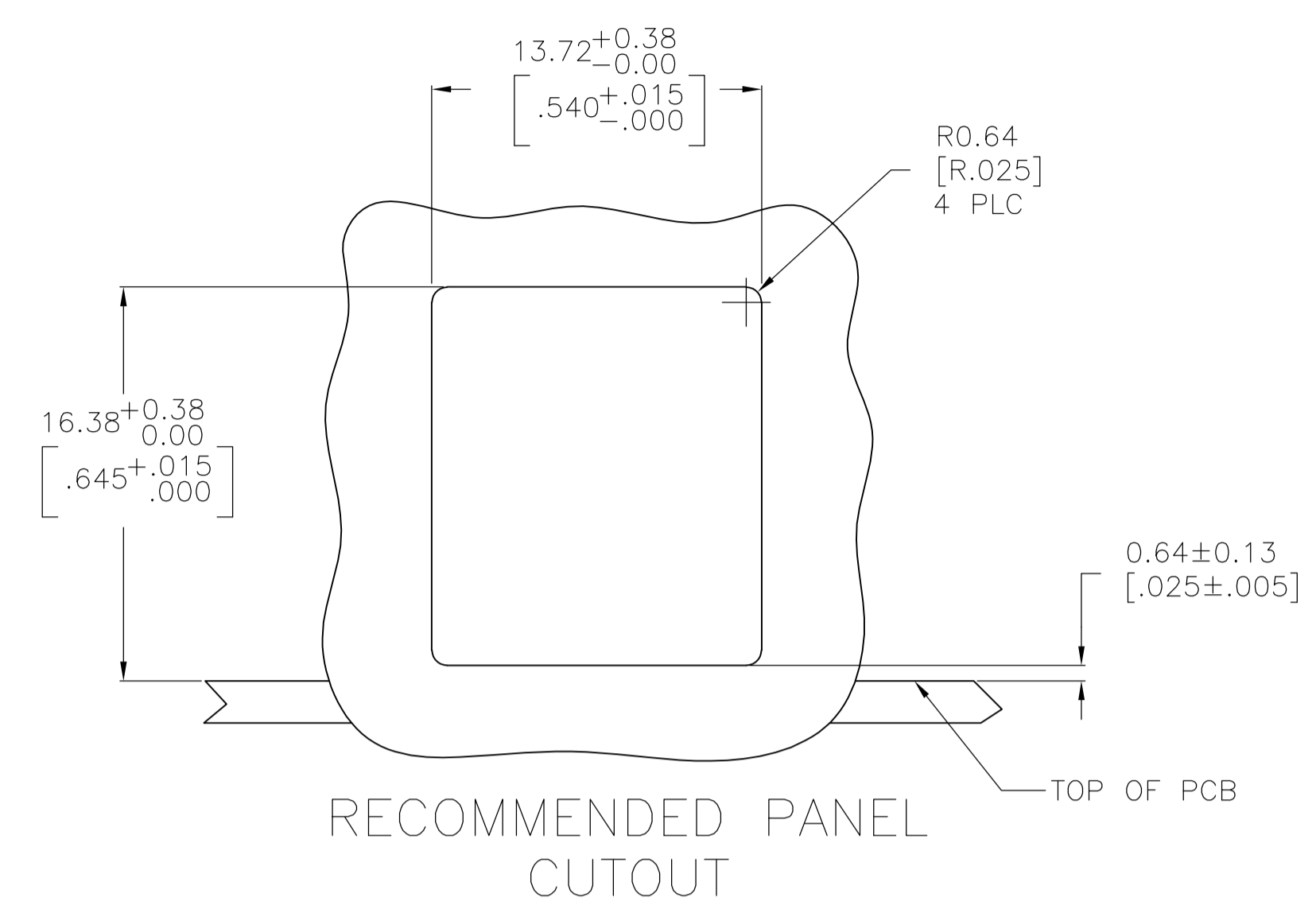
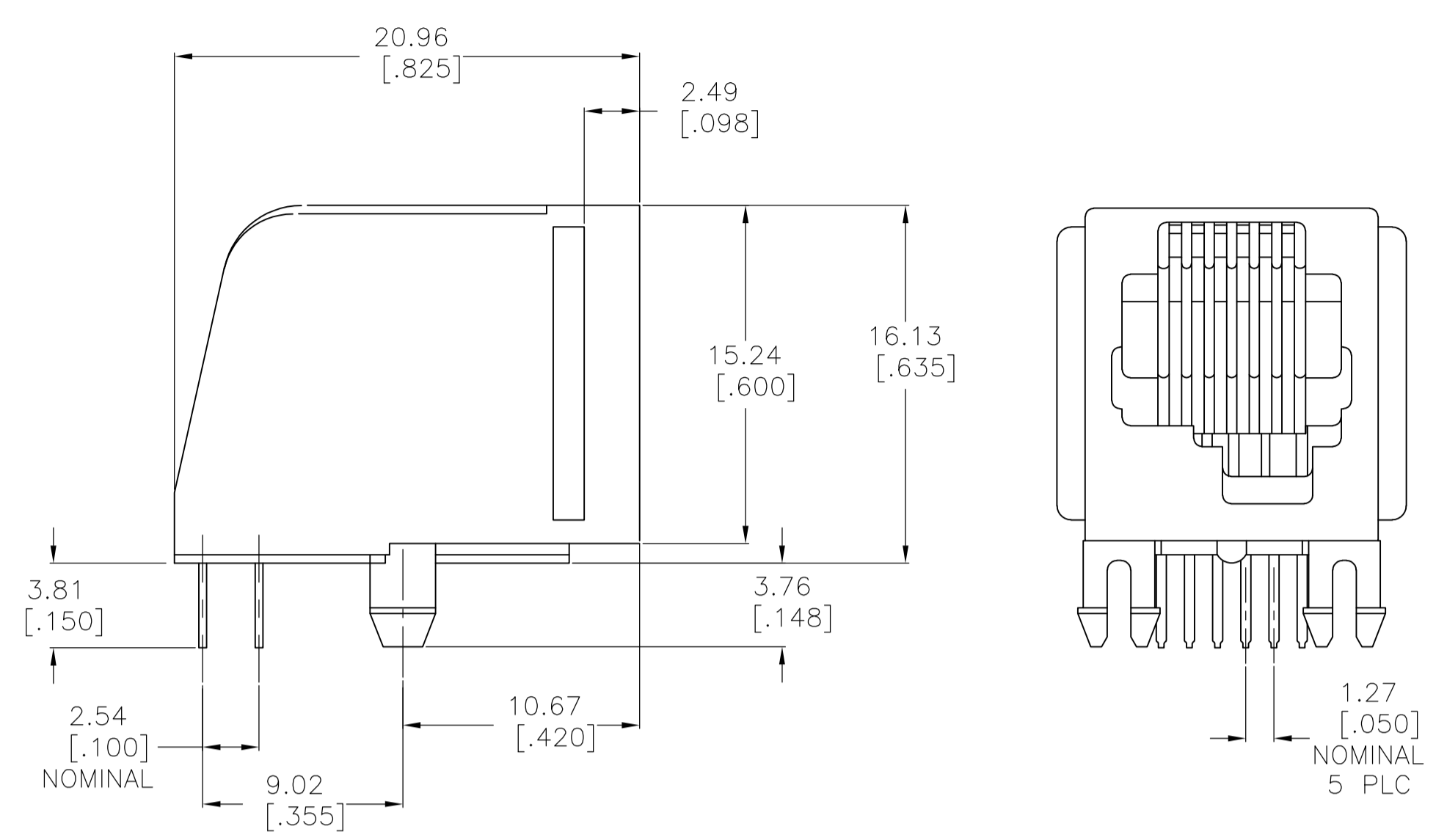
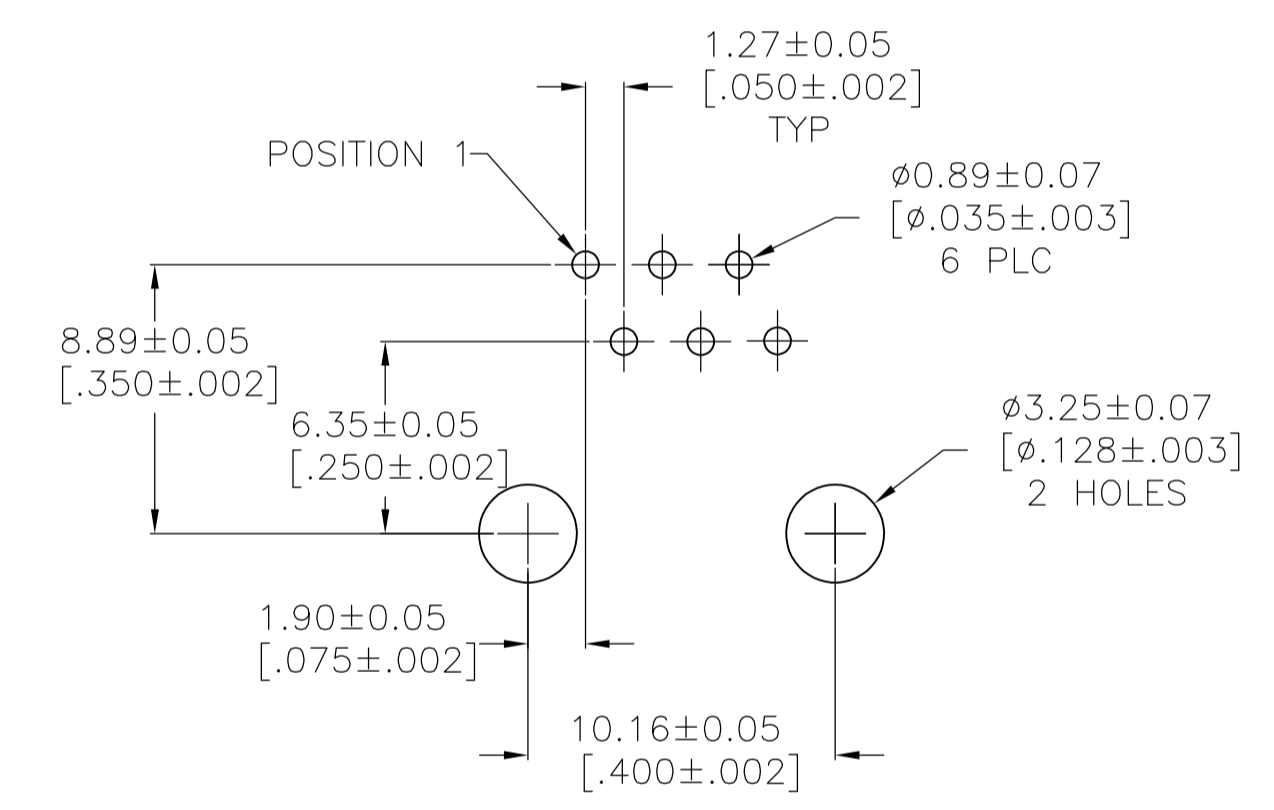
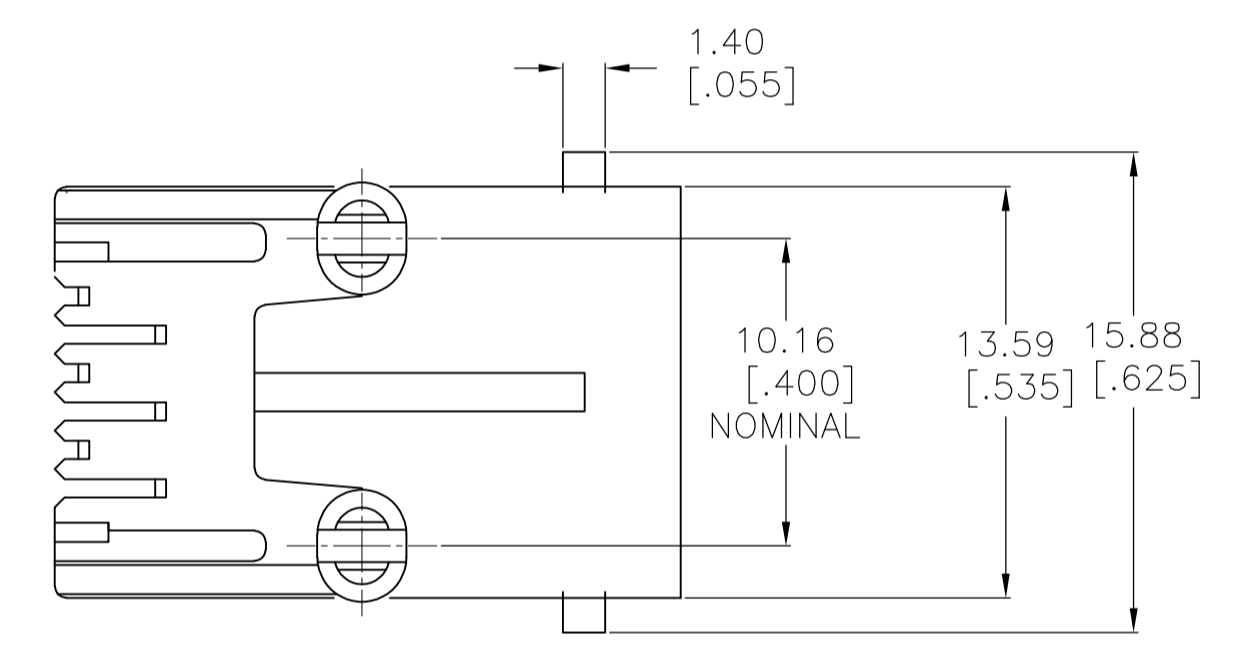


LOC		DIST		REVISIONS			
P	LTR	DESCRIPTION	DATE	DNW	APVD		
C		ECC-08-006985	25JUN2008	LAM	PR		



- MATERIAL: HOUSING - PBT POLYESTER, COLOR: GRAY  
 TERMINAL -- 0.35 [0.0138] THICK PHOS BRONZE  
 PLATED WITH 1.27 μm [0.000050] THICK HARD GOLD  
 IN LOCALIZED GOLD PLATE AREA AND 3.81 μm [0.000150]  
 THICK MATTE TIN IN SOLDER AREA OVER 1.27 μm  
 [0.000050] THICK NICKEL UNDERPLATE
- BULK PACKAGED IN A TRAY.
- PACKAGED 36 ASSEMBLIES PER TUBE WITH BOTH  
 ENDS ENCLOSED
- DIMENSIONS ARE MAXIMUM UNLESS OTHERWISE SHOWN



RECOMMENDED PRINTED CIRCUIT BOARD  
 LAYOUT  
 COMPONENT SIDE SHOWN

SUPERSEDED BY -1	3	6	5555003-2
	2	6	5555003-1
PACKAGED	TERMINALS	PART NUMBER	

THIS DRAWING IS A CONTROLLED DOCUMENT.		DIN	30AUG2007	Tyco Electronics Corporation	
		CHK	30AUG2007	Harrisburg, PA 17105-3608	
		APVD	30AUG2007	Tyco Electronics	
		NAME	MODULAR JACK ASSEMBLY, SIDE ENTRY, WITH RIGHT HAND LATCHES, 6 POSITION, FLANGELESS, WITH PANEL STOPS		
DIMENSIONS: mm [INCHES]		TOLERANCES UNLESS OTHERWISE SPECIFIED:		PRODUCT SPEC	
		0 PLC ± -		108-1163	
		1 PLC ± -		APPLICATION SPEC	
		2 PLC ± 0.13[005]		114-2048	
		3 PLC ± -		SIZE	
		4 PLC ± -		A1	
		ANGLES ± -		WEIGHT	
MATERIAL SEE NOTE 1		FINISH SEE NOTE 1		CUSTOMER DRAWING	
		SCALE		SHEET	
		4:1		1 OF 1	
				REV	
				C	

单击下面可查看定价，库存，交付和生命周期等信息

[>>TE Connectivity\(泰科\)](#)